

Datasheet

Industrial Power Connector Adapter 3PN+E Plug to 1x3P+E Socket, 3PN+E Plug to 2x2P+E Socket Red Rated At 16A,415 V

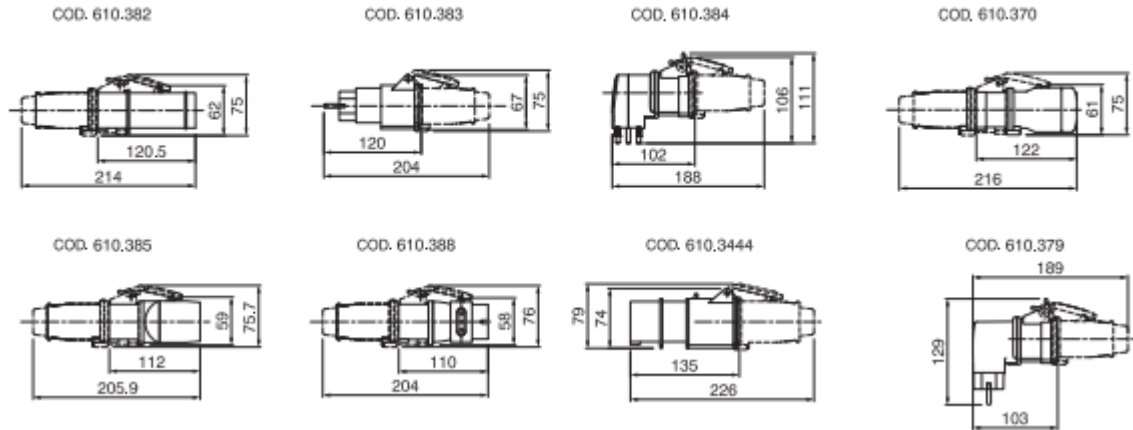
RS Stock number [533-7515](#)



Specifications:

Rated Current:	16A-32A
Frequency:	50Hz
Insulating Voltage:	500/690V~
Protection Degree:	IP20-IP44-IP66-IP67
Operating Temperature: according to the standard	-25°C +40°C
Max. Operating Temperature:	60°C
Glow Wire Test:	650°C/750°C/850°C
Material:	Engineering Plastic
IK Degree at 20°C:	IK06 – IK09

ONE-WAY ADAPTORS



2-WAY ADAPTORS WITH INTERLOCKED SWITCH SOCKET OUTLETS

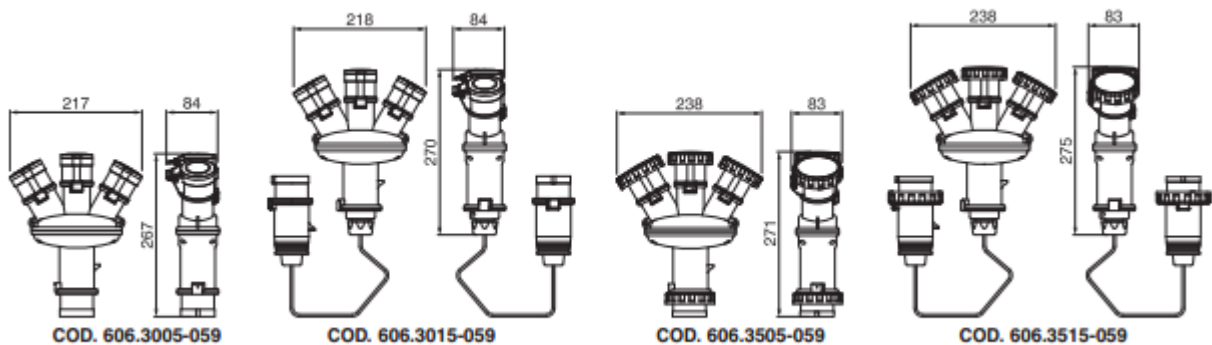
16A	A	B
2P+E IP44	12	209
2P+E IP66	126	218
3P+E IP44	122	216
3P+E IP66	126	225
3P+N+E IP44	122	223
3P+N+E IP66	126	233

32A	A	B
2P+E IP44	130	244
2P+E IP66	133	243
3P+E IP44	130	244
3P+E IP66	133	243
3P+N+E IP44	130	250
3P+N+E IP66	133	250

2-WAY ADAPTORS

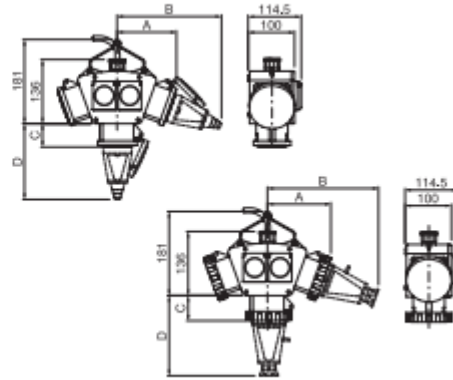
	A	B	C	D
2P+E IP44	91	174	159	76
2P+E IP66	101	187	156	82
3P+E IP44	91	178	159	78
3P+E IP66	101	196	156	82
3P+N+E IP44	89	193	159	79
3P+N+E IP66	101	199	156	86

3-WAY ADAPTORS



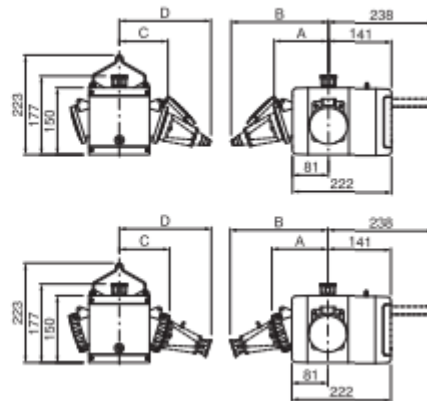
3/5-WAY ADAPTORS

	16A				32A			
	A	B	C	D	A	B	C	D
2P+E IP44	120	200	45	137	130	232	55	174
2P+E IP66	123	205	46	141	136	230	56	163
3P+E IP44	120	203	45	141	130	232	55	174
3P+E IP66	124	215	46	151	136	230	56	163
3P+N+E IP44	120	223	45	160	130	240	55	181
3P+N+E IP66	126	220	46	154	138	240	56	171



3-WAY ADAPTORS WITH PROTECTION DEVICES

	16A				32A			
	A	B	C	D	A	B	C	D
2P+E IP44	181	201	106	189	127	235	/	/
2P+E IP66	127	213	115	201	132	230	/	/
3P+E IP44	118	205	106	193	127	235	/	/
3P+E IP66	127	222	115	210	132	230	/	/
3P+N+E IP44	116	220	104	208	135	250	/	/
3P+N+E IP66	127	225	115	213	132	236	/	/



4-WAY ADAPTORS

	16A				32A			
	A	B	C	D	A	B	C	D
2P+E IP44	118	201	106	189	127	235	/	/
2P+E IP66	127	213	115	201	132	230	/	/
3P+E IP44	118	205	106	193	127	235	/	/
3P+E IP66	127	222	115	210	132	230	/	/
3P+N+E IP44	116	220	104	208	135	250	/	/
3P+N+E IP66	127	225	115	213	132	236	/	/

