

**PLEASE CHECK WWW.MOLEX.COM FOR LATEST PART INFORMATION**

**Part Number:** [130014-0078](#)  
**Status:** **Active**  
**Overview:** Brad® Mini-Change® Connectors  
**Description:** Mini-Change® B-Size Receptacle, 8 Poles, 1/2" - 14 NPT Threads, Male (Straight) to 16 AWG Leads, 0.305m (1.0') Length

**Documents:**

[Drawing \(PDF\)](#) [RoHS Certificate of Compliance \(PDF\)](#)

**Agency Certification**

CSA LR6837  
 UL E152210

**General**

Product Family Industrial Receptacles  
 Series [130014](#)  
 Comments B-Size (1" - 16 UN-2A)  
 IP Rating IP67  
 NEMA Rating NEMA 6  
 Overview [Brad® Mini-Change® Connectors](#)  
 Product Name Mini-Change®  
 Type Single Ended (pigtail)  
 UPC 78678844080

**Physical**

Coupling Type External Thread  
 Gender Male  
 Keyway Single  
 Length 0.305m  
 Material - Component Zinc Die-Cast with Black Epoxy  
 Mounting Thread Size 1/2" - 14 NPT  
 Orientation Straight  
 Panel Mount N/A  
 Poles 8  
 Temperature Range - Operating -20°C to +105°C  
 Wire Size AWG 16  
 Wire/Cable Type UL 1015

**Electrical**

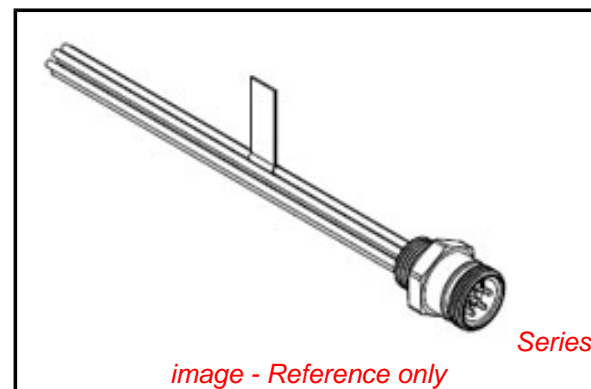
Current - Maximum per Contact 7A  
 Voltage - Maximum 600V AC/DC

**Material Info**

Old Part Number 2R8006A20A120

**Reference - Drawing Numbers**

Sales Drawing SD-130014-005



*image - Reference only*

**EU RoHS**

**RoHS Compliant by Exemption**

**REACH SVHC**

Not Reviewed

**Low-Halogen Status**

**Not Low-Halogen**

**China RoHS**



**Need more information on product environmental compliance?**

Email [productcompliance@molex.com](mailto:productcompliance@molex.com)  
 For a multiple part number RoHS Certificate of Compliance, [click here](#)

Please visit the [Contact Us](#) section for any non-product compliance questions.

**Search Parts in this Series**

130014Series