

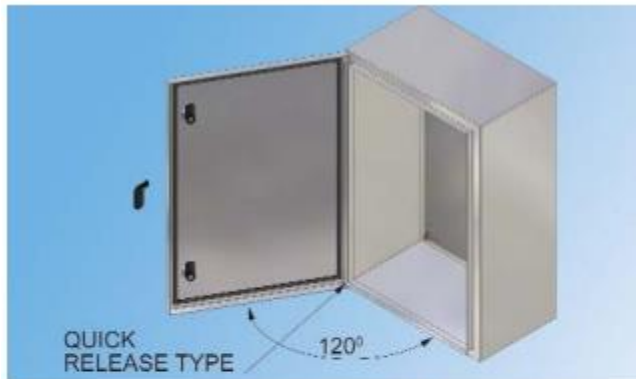


Datasheet

ENGLISH

IP66 Wall Box with Plain Door, 304 Stainless Steel, Unpainted, 200 x 200 x 150mm

RS Stock number [749-1829](#)



Door sizes above 800×1000 supplied with Stiffners
All sizes might not be available with your dealer

STAINLESS STEEL
BOX IP66

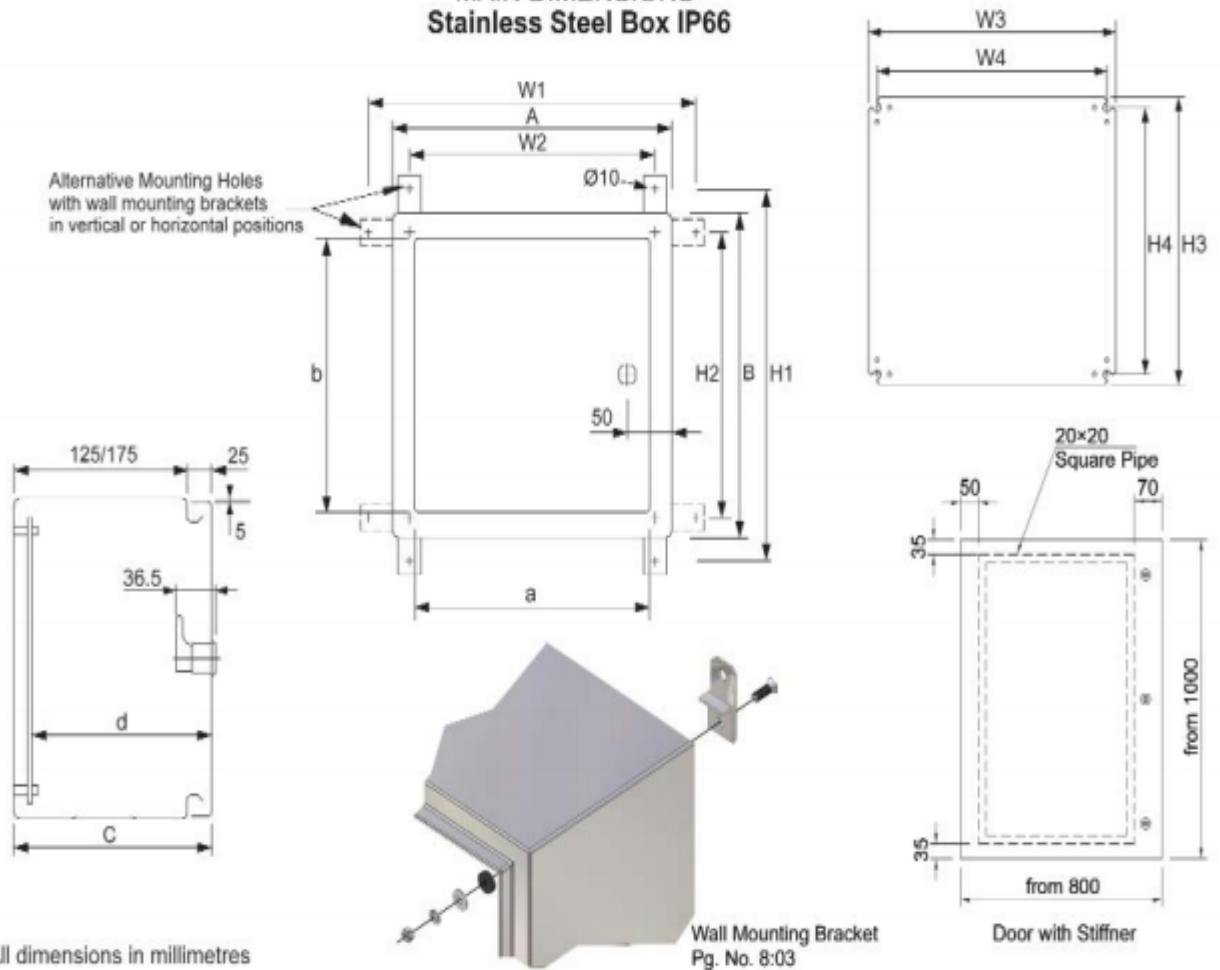
EDELSTAHL GEHÄUSE
BOX IP66

RUSTFRI
BOX IP66

TYPE	SIZE (W×H×D)	LOCKS	WEIGHT kg	QTY	ORDER No. AISI 304	ORDER No. AISI 316
SBOX 2.2-150 V2	200 × 200 × 150	1	4.56	1	63500	64000
SBOX 2.5.3-150 V2	250 × 300 × 150	1	6.60	1	63510	64010
SBOX 3.3-150 V2	300 × 300 × 150	1	7.42	1	63515	64015
SBOX 4.3-150 V2	400 × 300 × 150	1	9.06	1	63545	64045
SBOX 4.4-150 V2	400 × 400 × 150	2	11.13	1	63555	64055
SBOX 4.4-200 V2	400 × 400 × 200	2	13.13	1	63560	64060
SBOX 4.5-250 V2	400 × 500 × 250	2	14.12	1	63580	64080
SBOX 8.8-300 V2	800 × 800 × 300	3	39.30	1	63855	64355

INSTRUCTIONS

**MAIN DIMENSIONS
Stainless Steel Box IP66**



TYPE	OVERALL SIZE			OPENING DEPTH			MOUNTING HOLE POSITIONS				MOUNTING PLATE HOLE SIZE				LOCKS	WEIGHT kg	ORDER No. AISI 304	ORDER No. AISI 316
	A	B	C	a	b	d	W1	W2	H1	H2	W3	H3	W4	H4				
SBOX 2.2-150 V2	200	200	150	150	150	135	240	160	240	160	148	148	125	125	1	4.56	63500	64000
SBOX 2.5.3-150 V2	250	300	150	200	250	135	290	210	340	260	198	248	175	225	1	6.60	63510	64010
SBOX 3.3-150 V2	300	300	150	250	250	135	340	260	340	260	248	248	225	225	1	7.42	63515	64015
SBOX 4.3-150 V2	400	300	150	350	250	135	440	360	340	260	348	248	325	225	1	9.06	63545	64045
SBOX 4.4-150 V2	400	400	150	350	350	135	440	360	440	360	348	348	325	325	2	11.13	63555	64055
SBOX 4.4-200 V2	400	400	200	350	350	185	440	360	440	360	348	348	325	325	2	13.13	63560	64060
SBOX 4.5-250 V2	400	500	250	350	450	235	440	360	540	460	348	448	325	425	2	14.12	63580	64080
SBOX 8.8-300 V2	800	800	300	750	750	285	840	760	840	760	748	748	725	725	3	39.30	63855	64355