

Accessories for pluggable interface relays CR-U

Sockets

Data sheet

2CDC 291 043 F0004



CR-U2S

2CDC 291 044 F0004



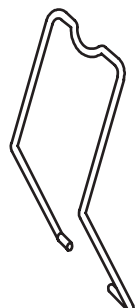
CR-U3S

2CDC 291 089 F0004



CR-U3E

2CDC 292 082 F0004



CR-UH

Features

- Standard socket for interface relays CR-U
- Snap-on mounting on DIN rail
- Width 38 mm
- Connector for pluggable function modules: reverse polarity protection, LED indication, RC element, overload protection

Approvals



Marks



Ordering data

Type	Version	Order code
Sockets		
CR-U2S	for 2 c/o contacts + module	1SVR 405 670 R0000
CR-U3S	for 3 c/o contacts + module	1SVR 405 660 R0000
CR-U3E	for 3 c/o contacts	1SVR 405 660 R0100
Small sockets		
CR-U2SM	for 2 c/o contacts	1SVR 405 670 R1100
CR-U3SM	for 3 c/o contacts	1SVR 405 660 R1100
Accessories for CR-U sockets		
CR-UH	Metall holder	1SVR 405 669 R0000

Standard sockets - Position of connecting terminals:

coil connection (A1-A2) and common contacts on lower socket side, contact connections (n/o and n/c contacts) on upper socket side.

Logical sockets - Position of connecting terminals:

coil connection (A1-A2) on lower socket side, all contact connections (common contacts, n/o and n/c contacts) on upper socket side. Details see position of connecting terminals.

Packing unit = 10 pieces.

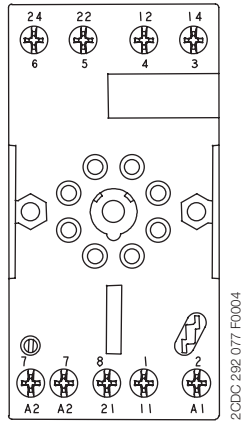
Relays and pluggable function modules see separate data sheets.

Accessories for pluggable interface relays CR-U

Sockets

Data sheet

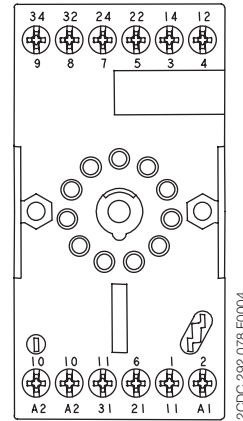
Position of connecting terminals



2CDC 292 077 F0004

CR-U2S

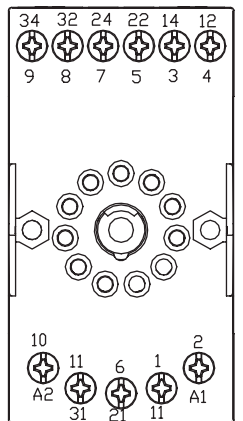
A1-A2 Supply voltage
11-12/14 Relay outputs
21-22/24



2CDC 292 078 F0004

CR-U3S

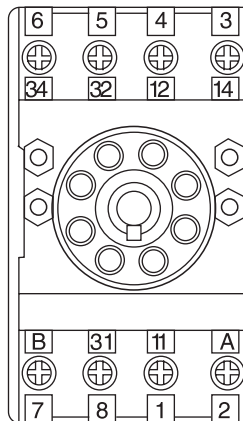
A1-A2 Supply voltage
11-12/14 Relay outputs
21-22/24
31-32/34



2CDC 292 080 F0004

CR-U3E

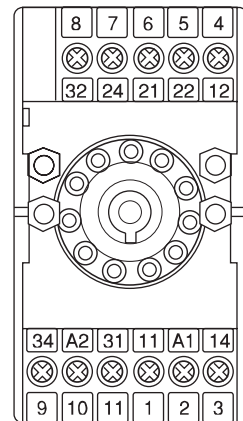
A1-A2 Supply voltage
11-12/14 Relay outputs
21-22/24



2CDC 292 011 F0005

CR-U2SM

A-B Supply voltage
11-12/14 Relay outputs
21-22/24



2CDC 292 012 F0005

CR-U3SM

A1-A2 Supply voltage
11-12/14 Relay outputs
21-22/24
31-32/34

Accessories for pluggable interface relays CR-U

Sockets

Data sheet

Technical data

Type		CR-UxS	CR-U3E	CR-UxSM
Output circuits		11-12/14, 21-22/24, ...		
Number of poles		2 or 3	2	2 or 3
Rated voltage	10 A	300 V AC		250 V
	12 A	150 V AC	-	-
Rated current		10 A / 12 A	10 A	10 A
General data				
Dimensions without holder (L x W x H)		75 mm x 38 mm x 26 mm	70 mm x 38 mm x 26 mm	68,2 mm x 38 mm x 24,2 mm
Degree of protection	terminals	IP 20 B (EN 60529)		
Temperature range	operation	-40...+85 °C		-40...+70 °C
	storage	-40...+85 °C		-40...+80 °C
Wire size	rigid	2 x 2.5 mm ² (2 x 14 AWG)		
	flexibel	2 x 2.5 mm ² (2 x 14 AWG)		
	with wire end ferule	2 x 1.5 mm ² (2 x 16 AWG)		
Torque		0.8 Nm		
Mounting		DIN rail (EN 50022)		
Material	socket	PA 6+FV -V2	PA 6+GF - V2	
	contacts	CuZn33		CuZn37
	contact surface	6 μ nickelized		3 μ nickelized
	terminals	8 μ galvanized		10 μ galvanized
	combi screw M3	8.8 Steel, 5μ nickelized		Steel, 8 μ galvanized
Isolation data				
Insulation voltage		> 3 kV		
Isolation between coil and contacts		EN 61984		
Clearance and creepage distance		EN 61984		
Standards				
Product standard		EN 61984: 2001		
Low Voltage Directive		73/23/EEC		

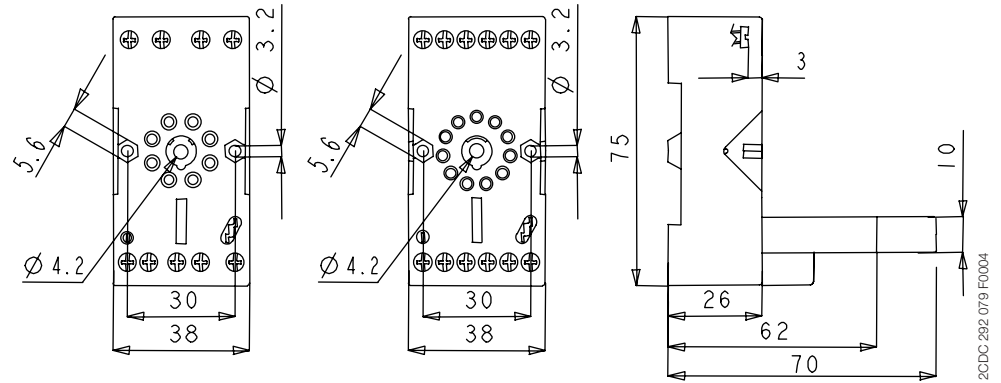
Accessories for pluggable interface relays CR-U

Sockets

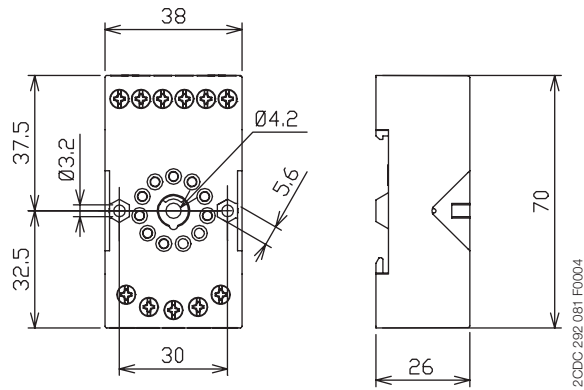
Data sheet

Dimensions

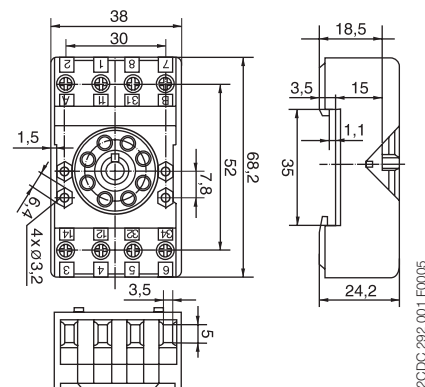
in mm



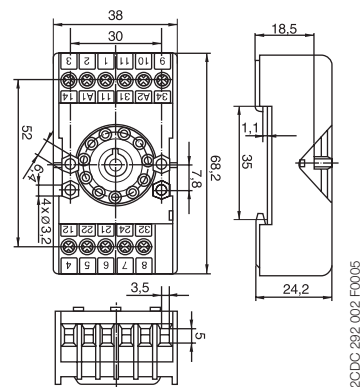
CR-UxS



CR-U3E



CR-U2SM



CR-U3SM

Accessories

Relays: see data sheet 2CDC 117 003 D02xx
 Pluggable function modules: see data sheet 2CDC 117 008 D02xx



ABB STOTZ-KONTAKT GmbH

Eppelheimer Straße 82 69123 Heidelberg, Germany
Postfach 10 16 80 69006 Heidelberg, Germany
Internet <http://www.abb.com/lowvoltage> → Control Products → Electronic Relays
E-Mail epr-support@stotzkontakt.de