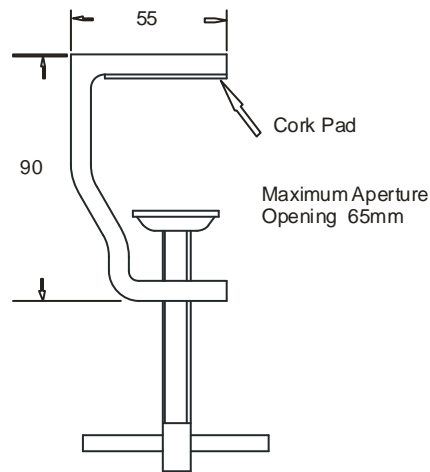
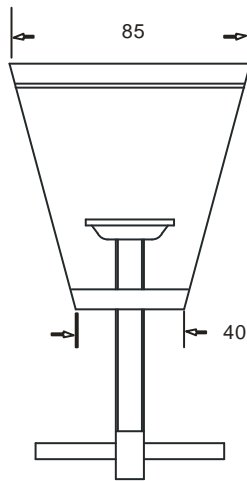


Lighting bases

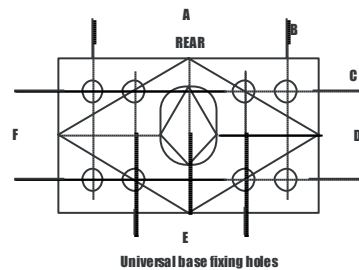
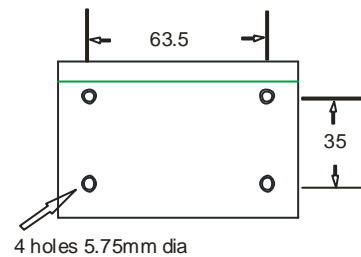
Task light bench clamp w/screw down base

The 'C' clamp is designed to be used in conjunction with the universal base. It features padding that prevents surface marking and is made from 7mm thick extruded aluminium. It has a jaw opening range of 6mm - 60mm.

- Available in Goosewing Grey, Gunmetal Grey & Dark Grey to suit luminaires fitted with universal base.



Dimension are nominal only and are subject to variation due to ongoing development. Confirm current dimensions on ordering. All dimensions in mm



- A. 63.50mm CRS
- B. 4 holes 7.14mm dia.
- C. 4 holes 5.75mm dia.
- D. 34.93mm CRS
- E. 35.72mm CRS
- F. 31.75mm CRS