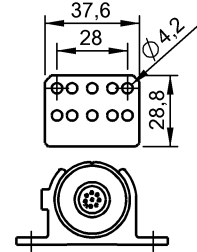
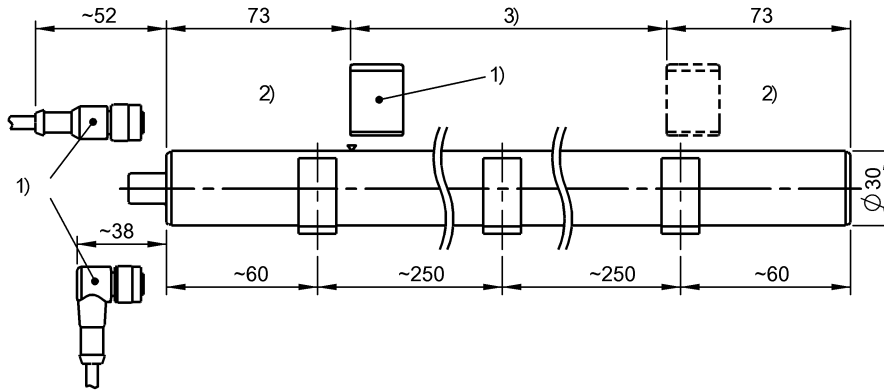


BTL6-P111-M0100-A1-S115
Ordering code: BTL00CZ

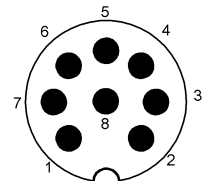
Micropulse transducers
Series Profile

Output signal Start/Stop and Start/Stop
neg.
Nominal stroke 100 mm

BALLUFF
sensors worldwide



Pin	
1	INIT
2	START/STOP
3	INIT
4	NC
5	START/STOP
6	GND
7	+24 V DC
8	NC



1) Not incl. in scope of del., 2) Unusable area, 3) Nom. stroke = Meas. length

Characteristic data

Output signal Start/Stop and Start/Stop neg.
 Connection Connector, M12
 Operating voltage 20...28 V DC
 Multi-magnet technology yes

Electrical data

Ripple 0.5 Vpp
 Current consumption (at 24 V DC) ≤ 90 mA
 Inrush current ≤ 3 A / 0.5 ms
 Overvoltage protected Yes
 Voltage-proof (GND – housing) 500 V DC
 Start/stop pulse, level +5 V RS 485/422 driver
 Galvanic isolation No
 Non-linearity (Lin1) ±200 µm
 Active flank rising / falling
 DPI/IP protocol Yes
 Start/stop pulse, level 3 - 5 µs
 Number of magnets max. 2
 For dynamic loop applications No

Mechanical data

Version Type A1
 Mounting type Mounting clamps
 nominal stroke max. 3250 mm
 Connector type M12
 Cable/connector out Axial

Number of pins 8
 Housing material Anodized aluminum
 Resolution ≤ 10 µm
 Repeat accuracy ≤ 10 µm
 TK, typ. (at 50% of 500 mm) ≤ 35 ppm/K
 Ambient temperature Ta min. 0 °C
 Ambient temperature Ta max. 70 °C
 Storage temperature min. -40 °C
 Storage temperature max. 100 °C
 Relative humidity < 90%, non-condensing
 Null point 73 mm

Basic data

Protected against polarity reversal
 Enclosure Type per IEC 60529
 EN 60068-2-27 (shock) Up to 36 V
 EN 60068-2-29 (cont. shock) IP67 (with connector)
 EN 60068-2-6 (vibration) 50 g / 6 ms
 EN 60068-2-64 (noise) 50 g / 2 ms
 EN 55016-2-3 (emission) 12 g, 10...2000 Hz
 EN 61000-4-2 (ESD) 5 g, 10...2000 Hz
 EN 61000-4-3 (RFI) Class A+B
 EN 61000-4-4 (burst) Severity Level 3
 EN 61000-4-5 (surge) Severity Level 3
 EN 61000-4-6 (HF fields) Severity Level 3
 EN 61000-4-8 (magnetic fields) Severity Level 4
 Approvals CE, cURus

BTL6-P111-M0100-A1-S115
Ordering code: BTL00CZ

Micropulse transducers
Series Profile

BALLUFF
sensors worldwide

Remarks

Additional features

with DPI/IP-protocol

