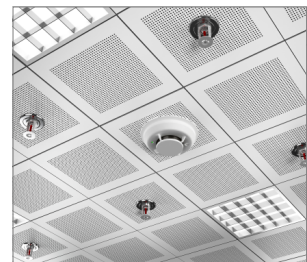


R-RBL-E Rawlbolt - Eye Bolt

World's most popular all-purpose expanding shield anchor - eye bolt version



Product information

Features and benefits

- Eyebolt designed & manufactured for maximum performance
- Ferrule marked with hole diameter to ensure correct installation
- Pressed steel segments ensure consistent dimensional accuracy
- Optimum taper nut angle for optimum expansion in all recommended substrates

Applications

- Supporting guy ropes, stays and cables
- Supporting ladder restraints

Base materials

Suitable for use in:

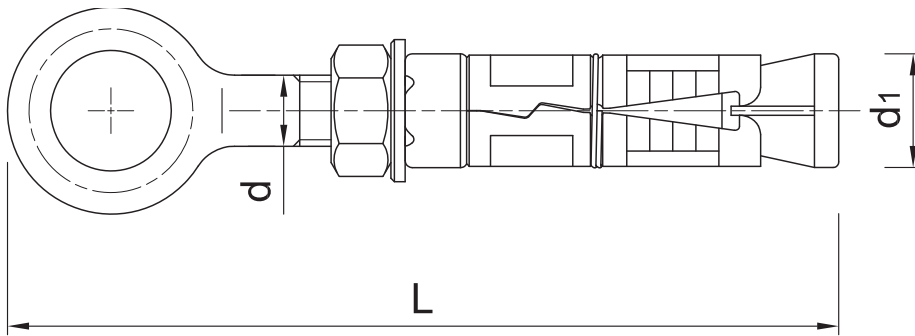
- Concrete
- Natural Stone
- Hollow-core Slab
- Hollow Brick

Installation guide



1. Drill a hole of required diameter and depth. Note: When fixing into brickwork, mortar joints should be avoided
2. Remove debris and thoroughly clean hole with brush and pump
3. Insert the anchor (tap home until flush with surface) and position eye accordingly
4. Tighten to recommended torque, using the hex nut (not the eye)

Product information



Size	Product Code	Anchor		
		Diameter	External diameter	Length
		d	d ₁	L
		[mm]	[mm]	[mm]
M6	R-RBL-06EW	6	12	73
M8	R-RBL-08EW	8	14	87
M10	R-RBL-10EW	10	16	108
M12	R-RBL-12EW	12	20	130

Product commercial data

Size	Product Code	Anchor		Quantity [pcs]			Weight [kg]			Bar Codes	Art No.
		Diameter [mm]	Length [mm]	Box	Outer	Pallet	Box	Outer	Pallet		
M6	R-RBL-06EW	6	73	25	25	7875	0.95	0.95	329.3	5906675283128	77422
M8	R-RBL-08EW	8	87	25	25	7875	1.60	1.60	534.0	5906675283142	77461
M10	R-RBL-10EW	10	108	25	25	3750	2.9	2.9	465.0	5906675283166	77466
M12	R-RBL-12EW	12	130	25	25	2250	5.2	5.2	500.3	5906675283180	77471