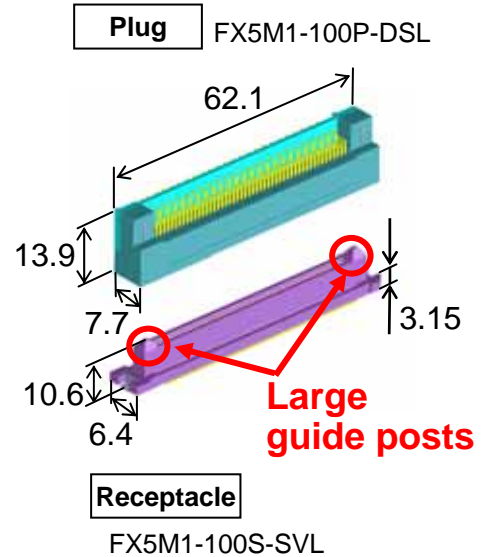
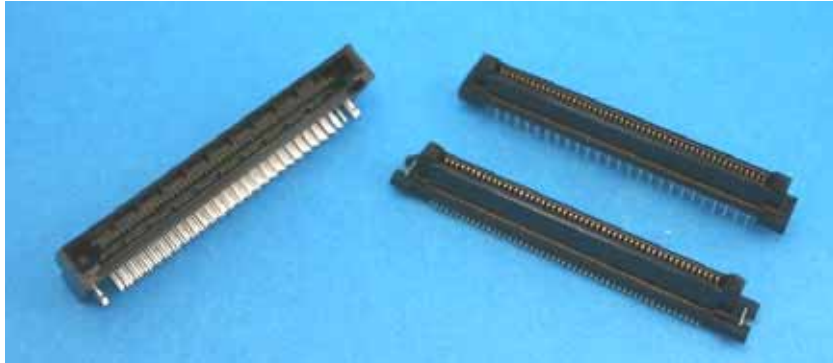




# FX5M1 Series

1.0 mm pitch, high-pin-count  
Board to Board connector

ITS-P-05010H



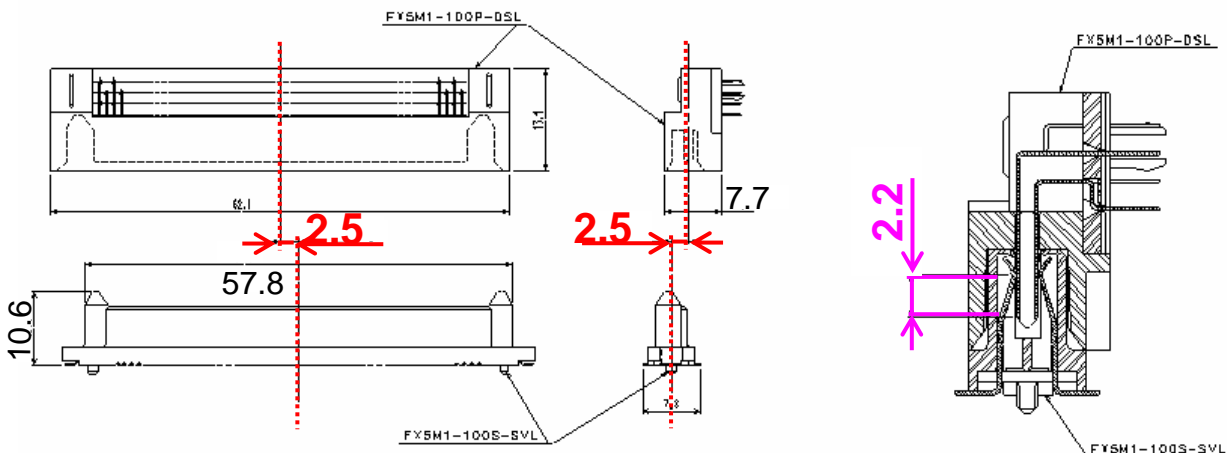
## ◆ Features

1. High-pin-count : 100 pos., 120 pos.
2. Large guide post design for connector alignment for mating  
Wide alignment range: 2.5 mm
3. Long effective mating length: 2.2 mm
4. Clear click feeling for mating
5. RoHS-compliant types are also available.

## ◆ Large guide post design for connector alignment

Alignment range: 2.5 mm

Effective mating length: 2.2 mm



## ◆ Applications:

Office equipment, FA control unit, and others

Specifications herein are subject to change without notice. Contact Hirose for latest specifications, drawings or availabilities.