

**Ordering number C12782\_MELODY-4-M**

Family	Melody	FWHM	30 degrees
Type	Lens array	Efficiency	89 %
LED	NVSxx19B	cd/lm	2.500
Color	Clear	Gerber File	Available
Diameter	50.6 mm		
Height	11.9 mm		
Style	Round		
Optic Material	PMMA		
Holder Material	-		
Fastening	Pin, glue		
Status	Ready		

**Ordering number C13095\_MELODY-3-M**

Family	Melody	FWHM	34 degrees
Type	Lens array	Efficiency	92 %
LED	NVSxx19B	cd/lm	2.140
Color	Clear	Gerber File	Available
Diameter	50.6 mm		
Height	11.9 mm		
Style	Round		
Optic Material	PMMA		
Holder Material	-		
Fastening	Pin, glue		
Status	Ready		

**NOTE: The typical divergence will be changed by different color, chip size and chip position tolerance. The typical total divergence is the full angle measured where the luminous intensity is half of the peak value.**



## PRODUCT DATASHEET

### Melody series

last update 8/12/2012



#### GENERAL INFORMATION

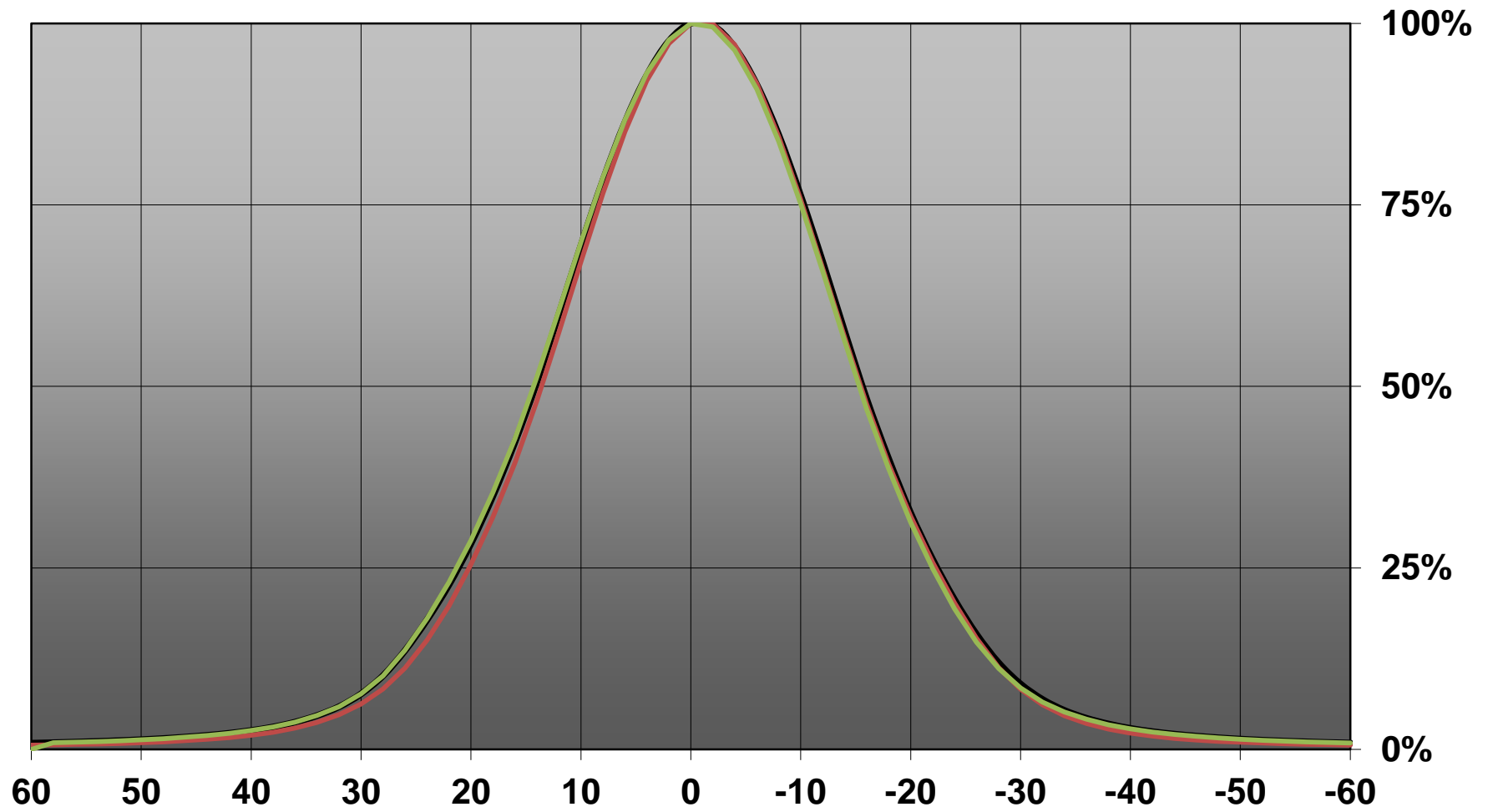
- Product series especially designed & optimized for NVSxx19B series of LEDs.
- Special care taken to make light distribution as uniform as possible.
- Lens material optical grade PMMA with high UV and temperature resistance. Allows use of high current and temperature conditions.

Please find more information about used material from below:

[http://ledil.fi/sites/default/files/Documents/Technical/Material/PMMA%20N%20UL94\\_Yellow%20Card.pdf](http://ledil.fi/sites/default/files/Documents/Technical/Material/PMMA%20N%20UL94_Yellow%20Card.pdf)

<http://ledil.fi/sites/default/files/Documents/Technical/Material/PMMA%20N%20PLEXIGLAS-Datasheet.pdf>

Relative intensity of C12782\_MELODY-4-M-N219

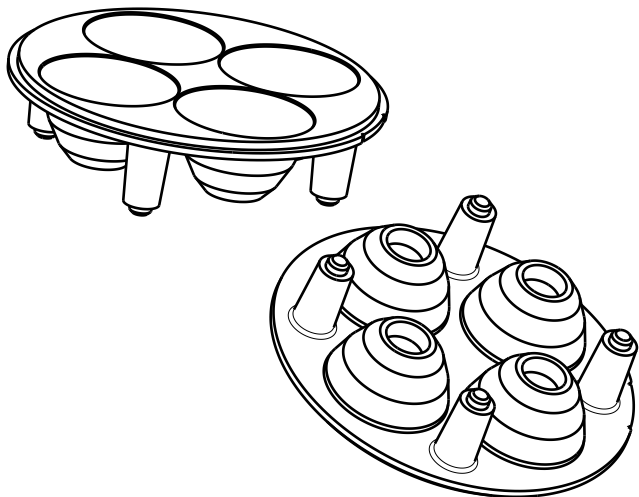


D

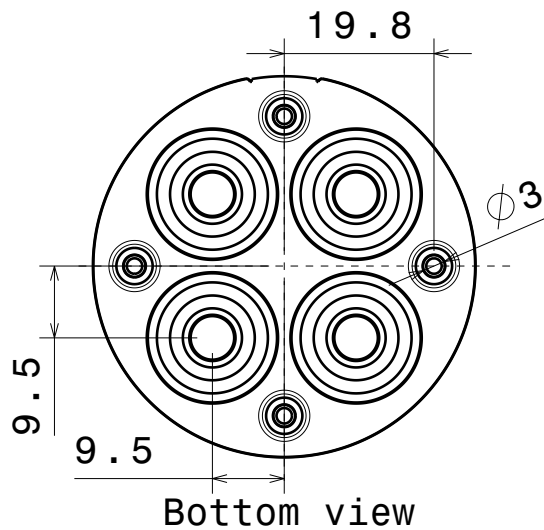
C

B

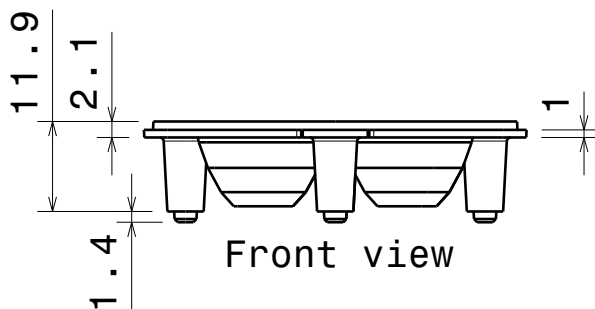
A



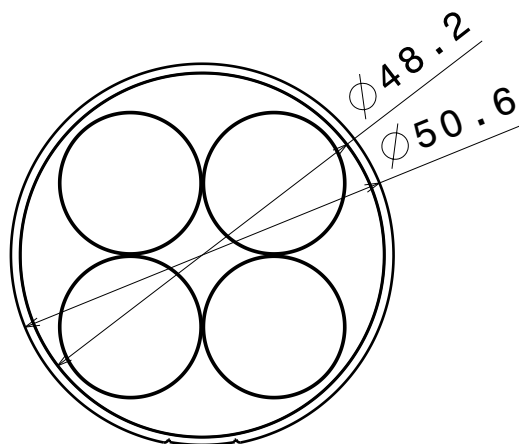
Isometric view



Bottom view



Front view



Top view

Material: PMMA

Tolerances for dimensions:  
 0-20mm tolerance value  $\pm 0.1\text{mm}$   
 21-45mm tolerance value  $\pm 0.2\text{mm}$   
 46-90mm tolerance value  $\pm 0.3\text{mm}$   
 91-100mm tolerance value  $\pm 0.4\text{mm}$   
 101-mm tolerance value  $\pm 0.5\text{mm}$

This drawing is our property.  
 It can't be reproduced  
 or communicated without  
 our written agreement.



Ledil Oy  
 Salorankatu 10  
 FIN 24240 SALO  
 Finland

DRAWING TITLE

Datasheet MELODY-4 series

DRAWN BY

mav

DATE

18.04.2012

CHECKED BY

sn

DATE

18.04.2012

SIZE

A4

DRAWING NUMBER

-

REV

1

DESIGNED BY

mav

DATE

06.03.2012

SCALE

1:1

WEIGHT (g)

SHEET

1/1

D

A

4

4

3

3

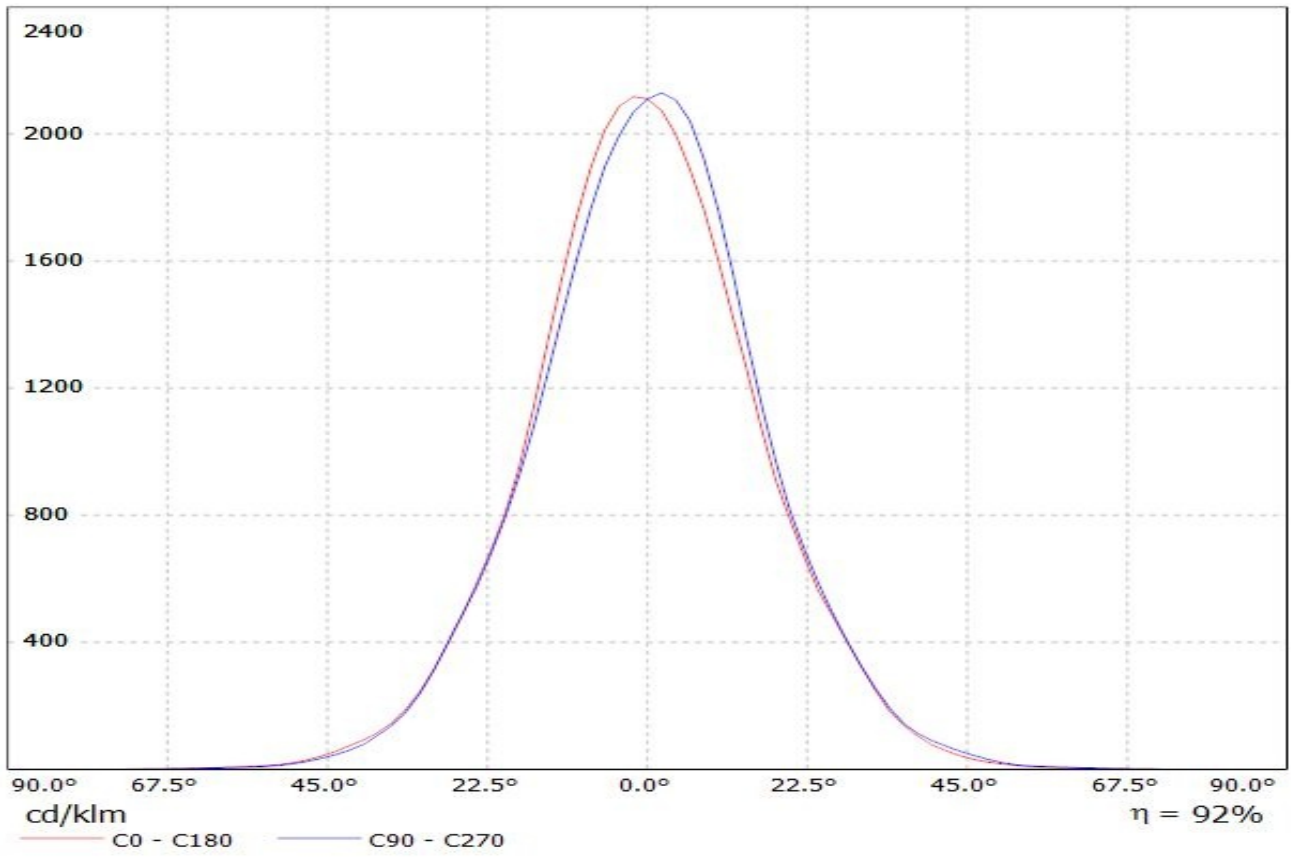
2

2

1

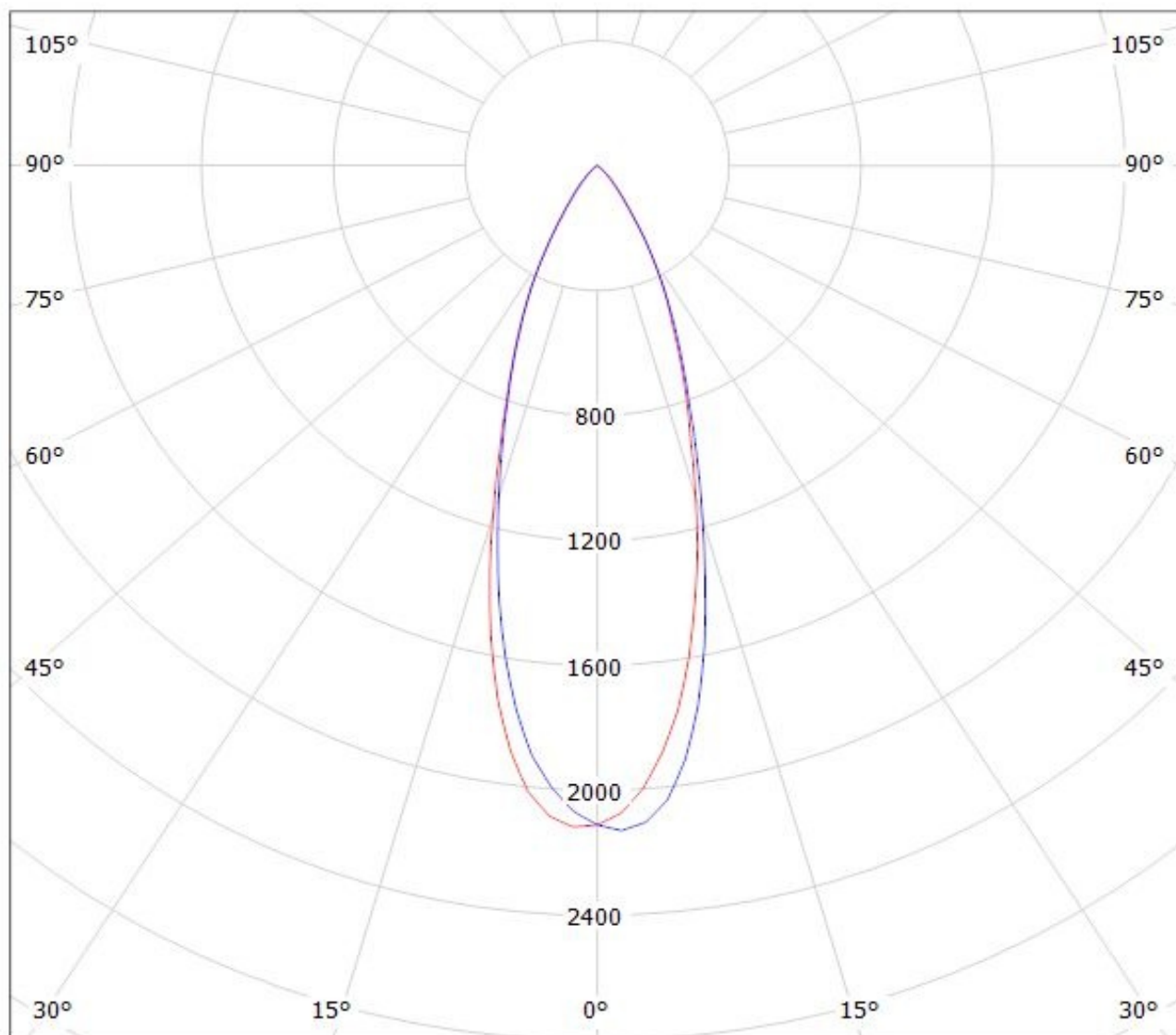
1

Luminaire: LEDiL C13095\_MELODY-3-M      Eff. 92%  
Lamps: 1 x Nichia NVSL219BE (228lm@250mA)



Luminaire: LEDiL C13095\_MELODY-3-M  
Lamps: 1 x Nichia NVSL219BE (228lm@250mA)

Eff. 92%



cd/klm

$\eta = 92\%$

— C0 - C180

— C90 - C270