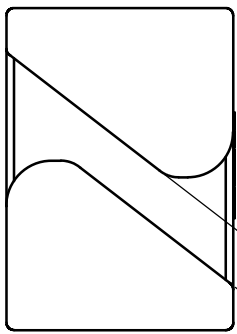
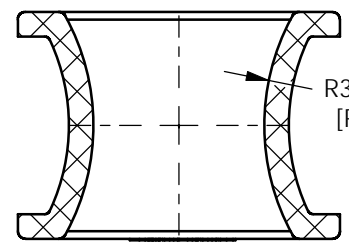


REV.	MODIFICATION.	DATE	DRN
01	PRODUCTION RELEASE	09/01/09	OW
02	CO-2010691	12/06/09	OW
03	CO-2010731	14/07/09	OW
04	CO-2010830	23/11/09	OW
05	CO-2010885	15/02/10	OW

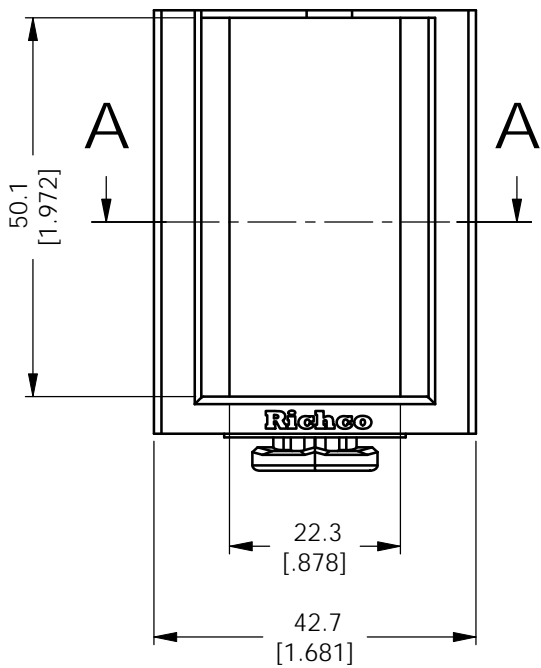
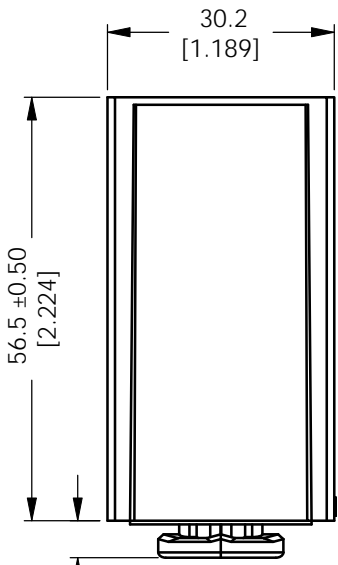


6 ±1.0
[.236]

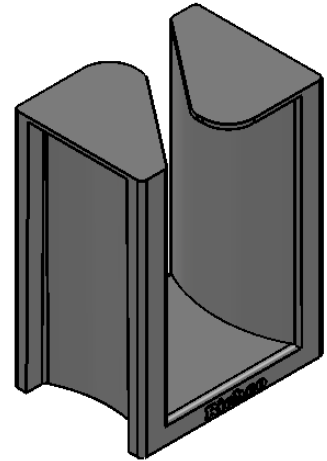
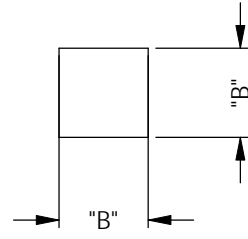


R30.0 REF
[R1.181]

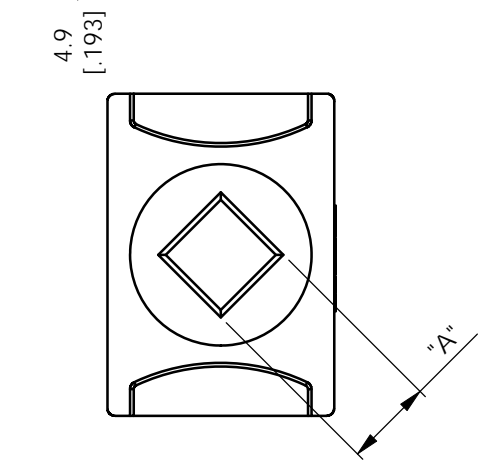
SECTION A-A



PANEL DETAIL:
1.6 - 2.0 [.063 - .079] THICK PANEL



ALTERNATE UNITS FOR REFERENCE ONLY



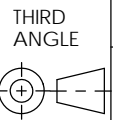
"A"

PART NUMBER	"A" DIMENSION ±0.2	"B" DIMENSION +0.1 -0
OFRB-1BK	11.7 [.461]	11.8 [.465]
OFRB-2BK	9.3 [.366]	9.5 [.374]

INFORMATION CONTAINED IN THIS DOCUMENT IS CONFIDENTIAL TO RICHCO INTERNATIONAL Co. Ltd. AND MAY NOT BE DISCLOSED OR REPRODUCED IN WHOLE OR PART WITHOUT THEIR WRITTEN CONSENT.

RICHCO, INC.
WWW.RICHCO-INC.COM

ALL DIMENSIONS IN mm
GENERAL TOLERANCES ±0.25
UNLESS OTHERWISE STATED
1 DECIMAL PLACE ±
2 DECIMAL PLACES ±
ANGULAR ±1°



MATERIAL:
NYLON 6/6 FR UL94-V0 (RMS-19)

COLOUR:
BLACK

DESCRIPTION:
OPTICAL FIBRE RACK BRACKET

PART No:
SEE TABLE

DRG No:
09-031

PROJECT NUMBER:
BN08-0016

Mass:(g)
12.0

SHEET SIZE
A4

DRN
OW

DATE
03/12/08

CHKD
SF

DATE
09/01/09

SCALE
NTS

SHEET No.
1 OF 1