

**Ordering number CA12011_LAURA-SS-PIN**

Family	Laura	FWHM	12 degrees
Type	Assembly	Efficiency	92 %
LED	XP-E-HEW	cd/lm	11.700
Color	White	Gerber File	Available
Diameter	21.6 + 21.6 mm		
Height	13.1 mm		
Style	Square		
Optic Material	PMMA		
Holder Material	PC		
Fastening	Pin, tape		
Status	Ready		

Ordering number CA11960_LAURA-D-PIN

Family	Laura	FWHM	15 degrees
Type	Assembly	Efficiency	86 %
LED	XP-E-HEW	cd/lm	6.200
Color	White	Gerber File	Available
Diameter	21.6 + 21.6 mm		
Height	13.1 mm		
Style	Square		
Optic Material	PMMA		
Holder Material	PC		
Fastening	Pin, tape		
Status	Ready		

Ordering number CA11837_LAURA-M-PIN

Family	Laura	FWHM	27 degrees
Type	Assembly	Efficiency	85 %
LED	XP-E-HEW	cd/lm	2.600
Color	White	Gerber File	Available
Diameter	21.6 mm		
Height	13.1 mm		
Style	Square		
Optic Material	PMMA		
Holder Material	PC		
Fastening	Pin, tape		
Status	Ready		

NOTE: The typical divergence will be changed by different color, chip size and chip position tolerance. The typical total divergence is the full angle measured where the luminous intensity is half of the peak value.



PRODUCT DATASHEET

Laura series

last update 18/4/2012

GENERAL INFORMATION

- Product series especially designed & optimized for XP-E-HEW series of LEDs.
- Special care taken to make light distribution as uniform as possible.
- Lens material optical grade PMMA with high UV and temperature resistance. Allows use of high current and temperature conditions.

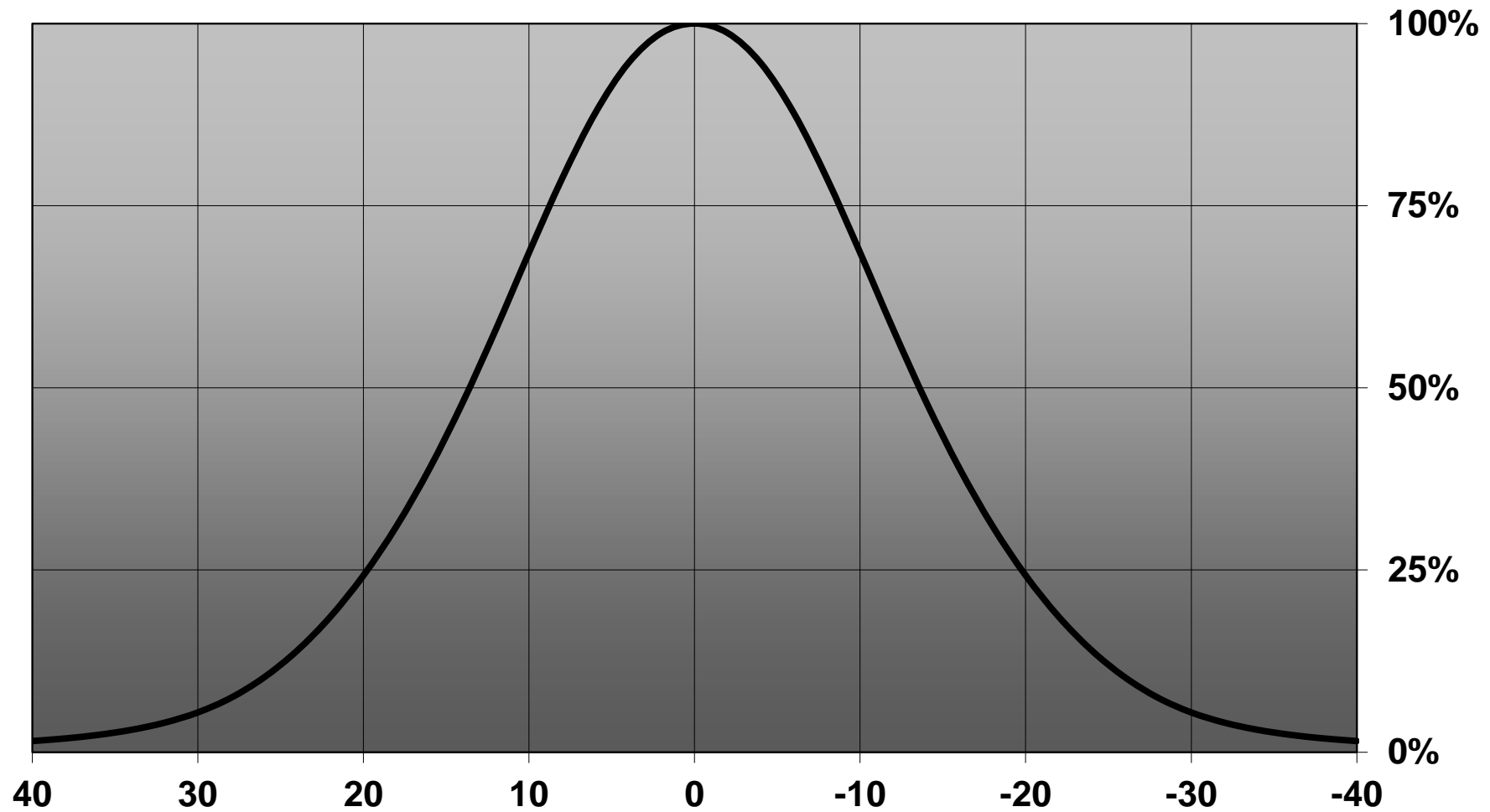
Please find more information about used material from below:

http://ledil.fi/sites/default/files/Documents/Technical/Material/PMMA%20N%20UL94_Yellow%20Card.pdf

<http://ledil.fi/sites/default/files/Documents/Technical/Material/PMMA%20N%20PLEXIGLAS-Datasheet.pdf>

- Optic holder molded by high quality PC material (120 degrees of Celcius / 248 degrees of Fahrenheit).

Relative intensity of CA11837_LAURA-M-PIN-WHT (XP-E HEW)



D

C

B

A

4

4

3

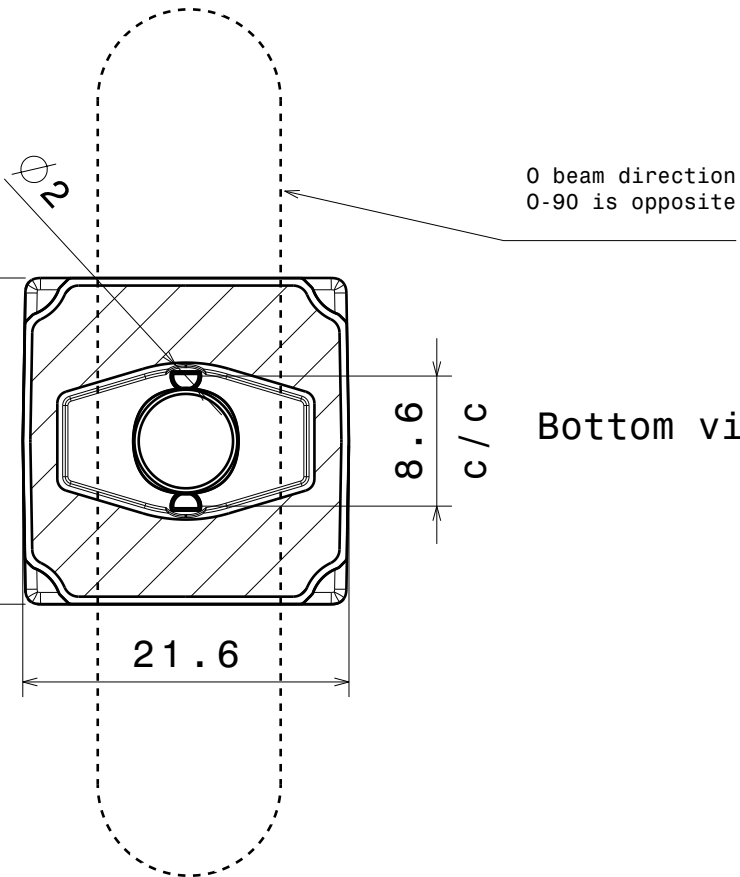
3

2

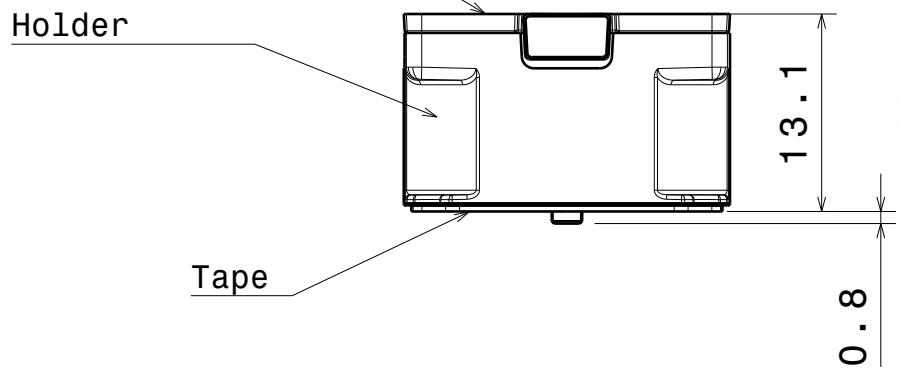
2

1

1



Bottom view



Front view

Lens

Holder

Tape

Materials:
 lens: PMMA
 holder: PC, black
 Tape: PU Foam

This drawing is our property.
 It can't be reproduced
 or communicated without
 our written agreement.



L T F F
 e e
 i i
 n n

DRAWING TITLE

Datasheet Laura-Pin-tape assy

DRAWN BY p	DATE v20.1.2012
---------------	--------------------

CHECKED BY s n	DATE 20.1.2012
-------------------	-------------------

DESIGNED BY hh/mav	DATE 04.11.2010
-----------------------	--------------------

SIZE A4	DRAWING NUMBER -	REV 2
------------	---------------------	----------

SCALE 2:1	WEIGHT (g)	SHEET 1/1
--------------	------------	--------------

D

A