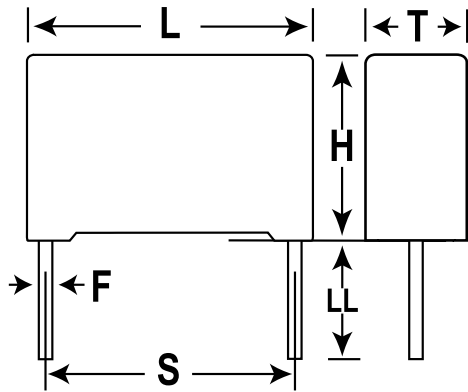


**KEMET Part Number: PHE840MK5150MK01R17**  
(F840KG153M275A)

Capacitor, Film, Metallized Polypropylene, 0.015 uF, +/-20% Tol, -55/+105C, Safety: X2, 275 VAC, Lead Spacing=7.5 mm, Not For New Design, Please Check Possible Alternative Parts (AltPart)



Dimensions (mm)		
Symbol	Dimension	Tolerance
L	10	MAX
H	8	MAX
T	4	MAX
S	7.5	+/-0.4
LL	17	NOM
F	0.6	NOM

Packaging Specifications	
Package Kind:	Bulk
Package Quantity:	1000

General Information	
Supplier:	KEMET
Dielectric:	Metallized Polypropylene
Application:	Safety: X2
Style:	Radial Box
Lead Form:	Wire Leads
Features:	Pulse
Approvals:	ENEC,UL,cUL
RoHS:	Yes

Specifications	
Capacitance:	0.015 uF
Voltage:	760 VDC
Tolerance:	+/-20%
Voltage AC:	275 VAC
Rated Temperature:	105C
Temperature Range:	-55/+105C
Dissipation Factor @ 1 kHz:	0.1%
Dissipation Factor @ 10 kHz:	0.2%
Dissipation Factor @ 100kHz:	0.6%
Insulation Resistance:	30 GOhm
Maximum dVdT:	100 v/us
Miscellaneous:	Not For New Design, Please Check Possible Alternative Parts (AltPart)