

## Adapter plate - HC-B 6-ADP/1 DSUB 15 - 1775473

Please be informed that the data shown in this PDF Document is generated from our Online Catalog. Please find the complete data in the user's documentation. Our General Terms of Use for Downloads are valid (<http://phoenixcontact.com/download>)




D-SUB adapter plate, for one D-SUB connector, no. of positions 15, housing series HC-B 6...

The illustration shows version HC-B 6-ADP/1 DSUB 9



### Key commercial data

Packing unit	2 pc
Minimum order quantity	2 pc
GTIN	 4 017918 038076
Weight per Piece (excluding packing)	13.5 g
Custom tariff number	85472000
Country of origin	Germany

### Technical data

#### Dimensions

Length	51.5 mm
Height	34.5 mm
Hole diameter	3.2 mm
Drill hole distance, vertical	27 mm

#### General

Note	For housing HC-B6
Material	PA
Inflammability class according to UL 94	HB
Color	gray
Number of positions	15
Type	B6

# Adapter plate - HC-B 6-ADP/1 DSUB 15 - 1775473

## Classifications

### eCl@ss

eCl@ss 4.0	27140816
eCl@ss 4.1	27140816
eCl@ss 5.0	27143424
eCl@ss 5.1	27143424
eCl@ss 6.0	27143424
eCl@ss 7.0	27440209

### ETIM

ETIM 3.0	EC002309
ETIM 4.0	EC002309
ETIM 5.0	EC002309

### UNSPSC

UNSPSC 6.01	30211808
UNSPSC 7.0901	39121408
UNSPSC 11	39121408
UNSPSC 12.01	39121408
UNSPSC 13.2	39121408

## Approvals

### Approvals

---

### Approvals

EAC

---

### Ex Approvals

---

### Approvals submitted

---

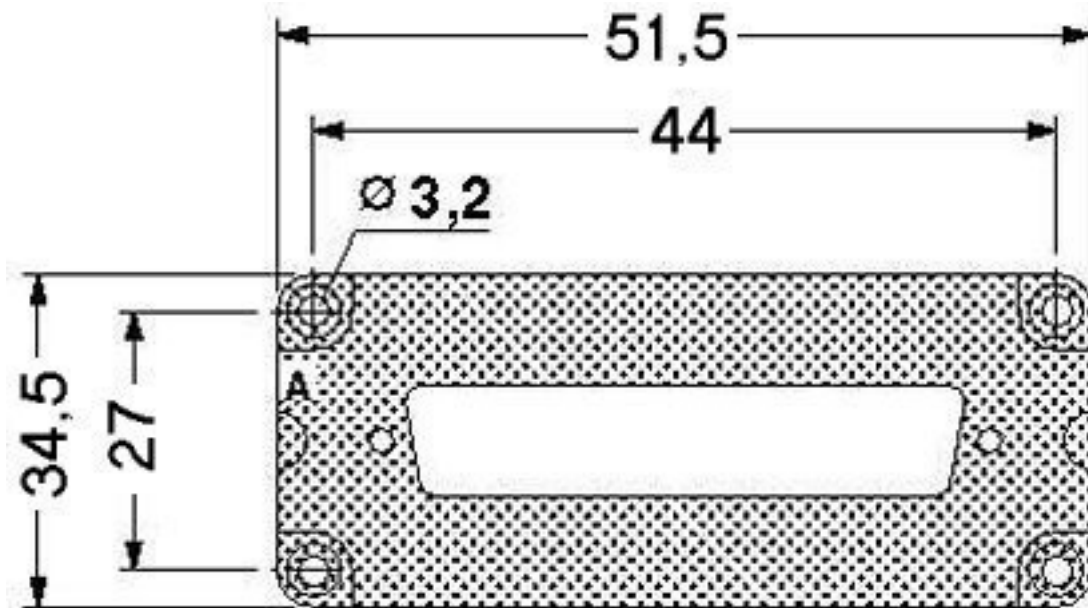
### Approval details

EAC
-----

## Drawings

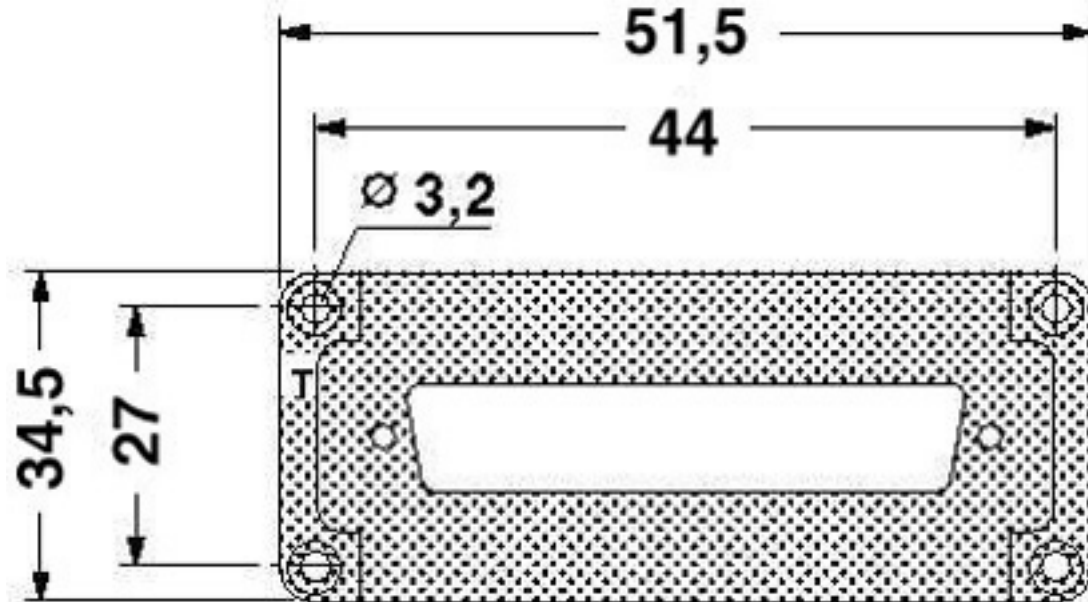
## Adapter plate - HC-B 6-ADP/1 DSUB 15 - 1775473

Dimensioned drawing



See assembly instruction

Dimensioned drawing



See assembly instruction