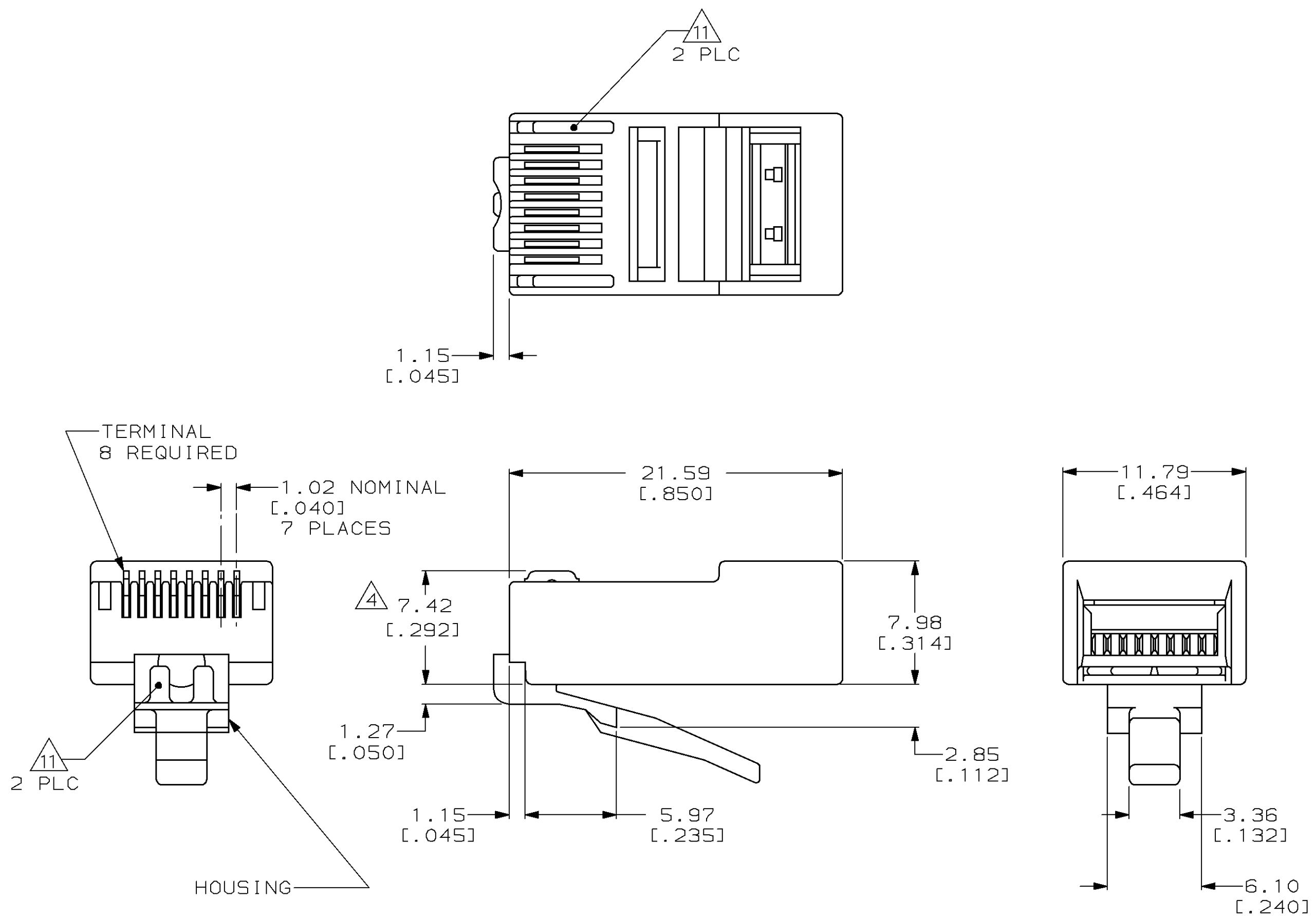


THIS DRAWING IS UNPUBLISHED. RELEASED FOR PUBLICATION, 19 .
 © COPYRIGHT 19 BY AMP INCORPORATED. ALL INTERNATIONAL RIGHTS RESERVED.

LOC	DIST	P	F	REVISIONS				
AA	22			ZONE	LTR	DESCRIPTION	DATE	APPD
				L		OBS: 6/3, 6/5; EC 0502-0843-97	20MAY98	DS EL



- 1 DIMENSIONS ARE MAXIMUM UNLESS OTHERWISE SPECIFIED.
- 2 MATERIAL: HOUSING-POLYCARBONATE, CLEAR. TERMINAL-0.36 [.014] THICK PHOSPHOR BRONZE PLATED WITH 1.27µm [.000050] THICK GOLD IN LOCALIZED GOLD PLATE AREA, GOLD FLASH OVER THE REMAINDER, OVER 2.54µm [.000100] THICK NICKEL UNDERPLATE.
- 3. PLUG WILL ACCEPT 26 OR 28 AWG STRANDED WIRE HAVING A MAXIMUM INSULATION DIAMETER OF 0.89-0.99 [.035-.039] AND A MAXIMUM OVAL CABLE JACKET OF 2.54 X 8.89 [.100 X .350].
- 4 TERMINATED DIMENSION 6.15 [.242] MAXIMUM.
- 6 PACKAGED 10,000 ASSEMBLIES PER CARTON.
- 7 PACKAGED 500 ASSEMBLIES PER CARTON.
- 8 PACKAGED 100 ASSEMBLIES PER BOX, 10 BOXES PER CARTON.
- 9 PACKAGED 25 ASSEMBLIES PER POLYBAG, 40 POLYBAGS PER CARTON.
- 11 REELED PRODUCT ON STRIP DOES NOT HAVE VOID CORING ILLUSTRATED ON THIS DRAWING.

9	5-554739-4
8	5-554739-3
7	5-554739-2
6, 11	5-554739-1
REELED	554739-1
PACKAGED	PART NO

DO NOT SCALE PRINT. UNLESS SPECIFIED DIMENSIONS IN mm [INCHES] TOLERANCES ON:		DR 8-27-93 YTP/UTA		AMP Incorporated Harrisburg, PA 17105-3608	
2 PLC DEC ± - 1		CHK 9-15-93 C.WHITT			
MATERIAL 2		APPD 9-20-93 J.TONEY		NAME	
FINISH 2		APPD 9-20-93 H.MCGRATH		MODULAR PLUG ASSEMBLY, 8 POSITION, FLAT OVAL CABLE	
WEIGHT -		PRODUCT SPEC 108-1163		SIZE C	CAGE CODE 00779
		APPLICATION SPEC 114-6016		DRAWING NO C=554739	
		SCALE 4:1		SHEET 1 OF 1	

THIS DRAWING IS A CONTROLLED DOCUMENT FOR AMP INCORPORATED. IT IS SUBJECT TO CHANGE AND THE CONTROLLING ENGINEERING ORGANIZATION SHOULD BE CONTACTED FOR THE LATEST REVISION.