



Lid & support stays

Lid stays

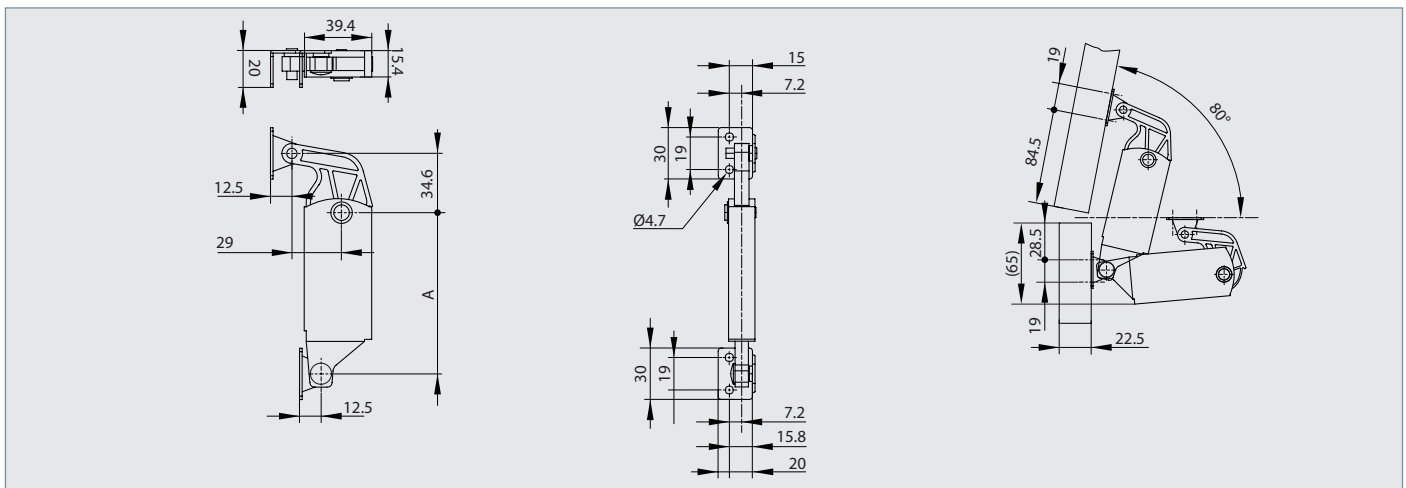
Heavy duty spring loaded lid stay

NEW!

- Spring mechanism assists in lifting door and holds in open position (10° to 80°).
- Can be installed individually or in pairs.
- Non-handed: can be installed on left or right side.
- Torque calculation:
 $Torque (N.m) = H(m) \times \frac{1}{2} \times W (kg) \times 9.8$ with:
 - H = door height (m)
 - W = door weight (kg)



Part number	Material	Finish	A	Note	Weight (g)
24-7-3579	430 stainless steel	raw	94.2	6.1 - 11.8 N.m	195



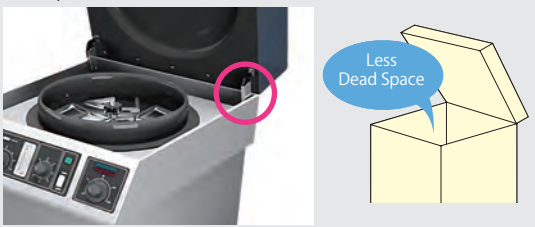
Easy Operation with power assist



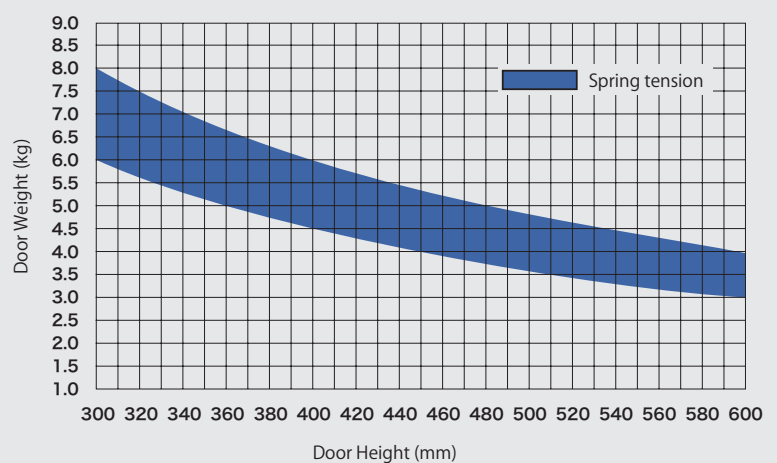
Free stop



Compact



Selection graph



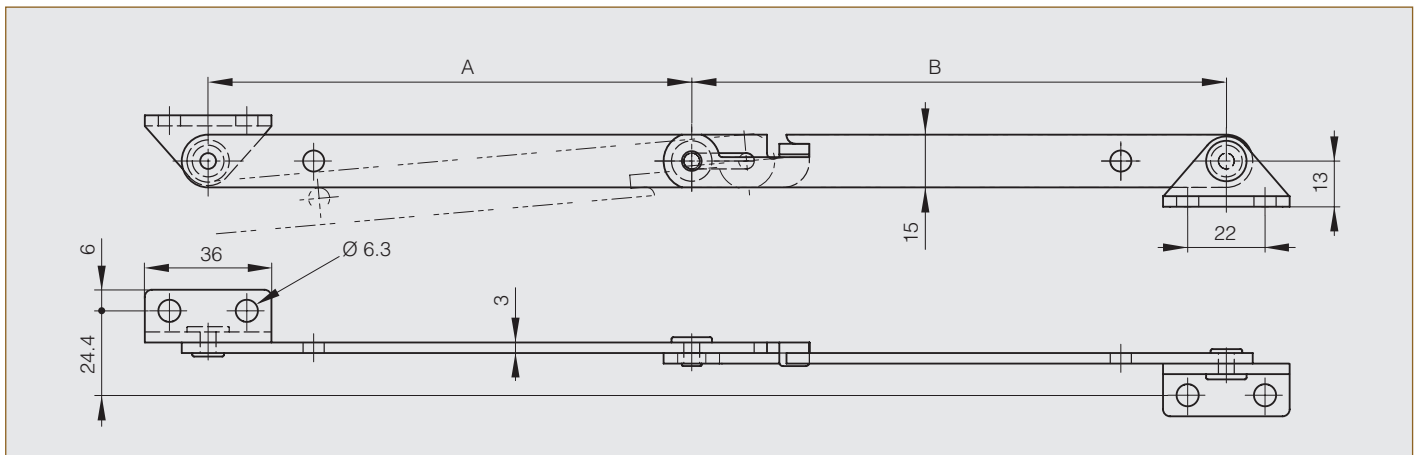


Lid & support stays

Lid stays

Stay with safety stop

Part number	Material	Finish	A	B	Note	Weight (g)
24-1-9001	304 stainless steel	raw	139	151	as shown below	148
24-1-9000	304 stainless steel	raw	139	151	symmetrical version not shown	148



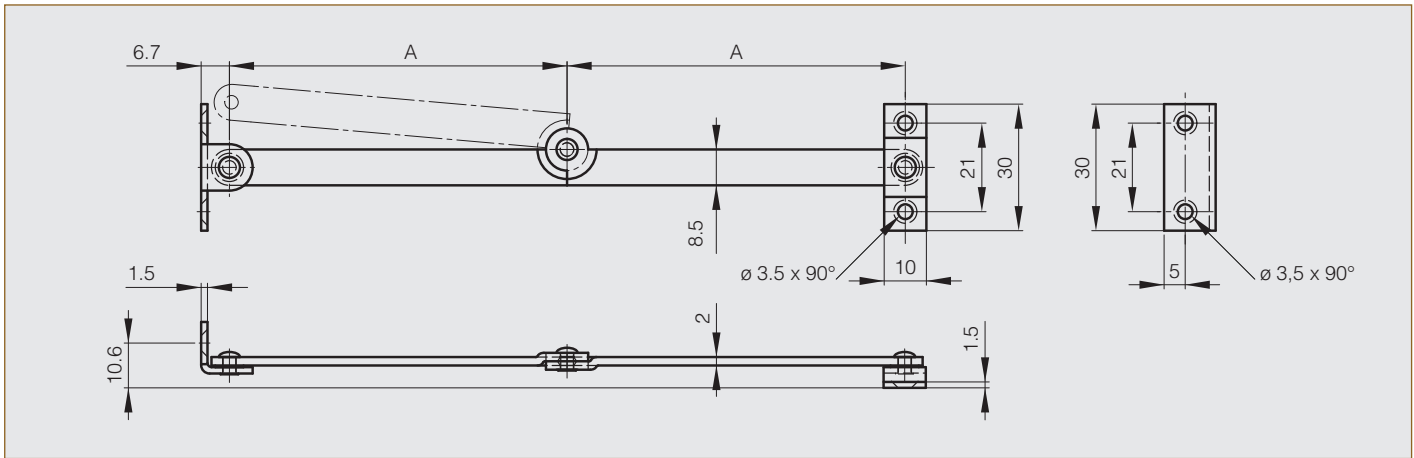


Lid & support stays

Lid stays

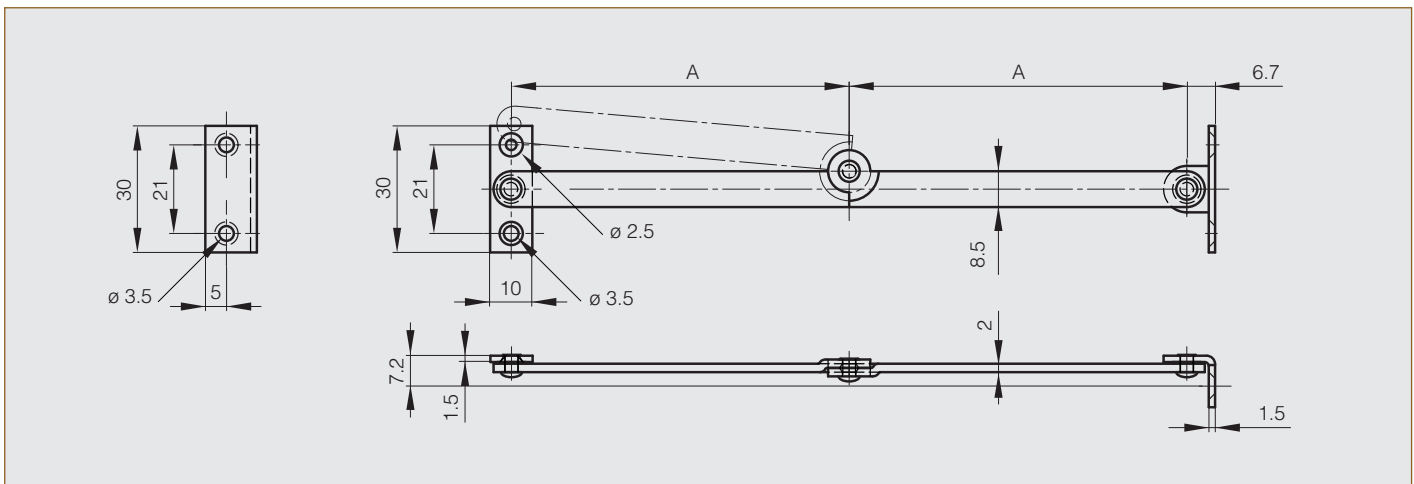
Black zinc plated stays A

Part number	Material	Finish	A	Note	Weight (g)
24-1-3312	steel	black zinc plated	80	as shown below	33.5
24-1-3311	steel	black zinc plated	80	symmetrical version not shown	33.5



Black zinc plated stays B

Part number	Material	Finish	A	Note	Weight (g)
24-1-3324	steel	black zinc plated	80	as shown below	33
24-1-3323	steel	black zinc plated	80	symmetrical version not shown	33



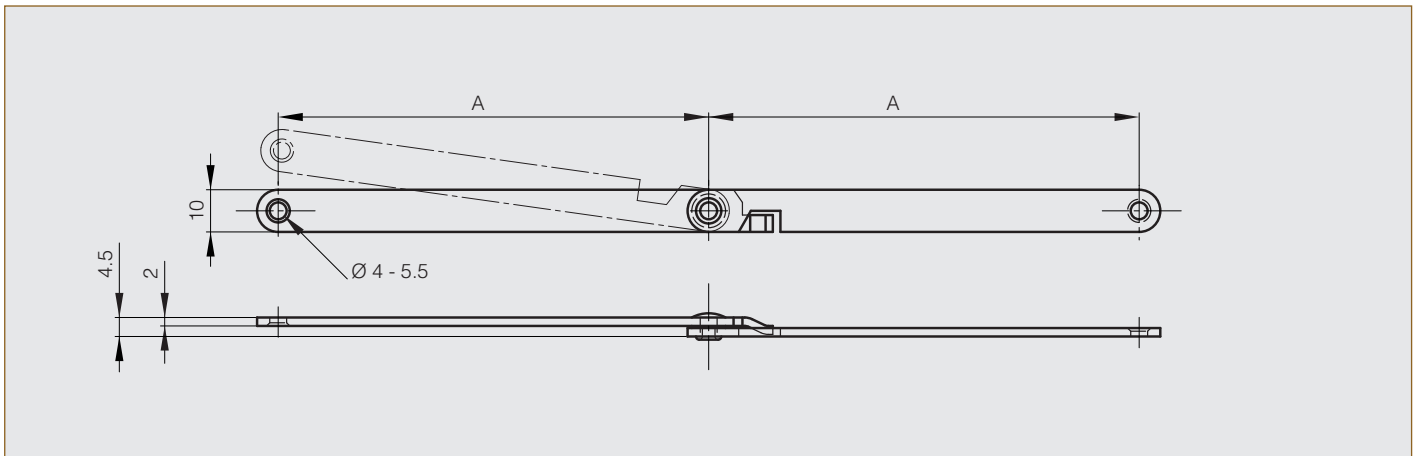


Lid & support stays

Lid stays

Stays without bracket

Part number	Material	Finish	A	Note	Weight (g)
24-1-0247	304 stainless steel	polished	102	as shown below	35
24-1-0248	304 stainless steel	polished	102	symmetrical version not shown	35



Zinc plated stays

Part number	Material	Finish	A	Note	Weight (g)
24-7-3525	steel	zinc plated	125	as shown below	116
24-7-3526	steel	zinc plated	125	symmetrical version not shown	116
24-7-3527	steel	zinc plated	150	as shown below	133
24-7-3528	steel	zinc plated	150	symmetrical version not shown	133
24-7-3529	steel	zinc plated	175	as shown below	152
24-7-3530	steel	zinc plated	175	symmetrical version not shown	152
24-7-3531	steel	zinc plated	200	as shown below	167
24-7-3532	steel	zinc plated	200	symmetrical version not shown	167

