



ENGLISH

## Datasheet

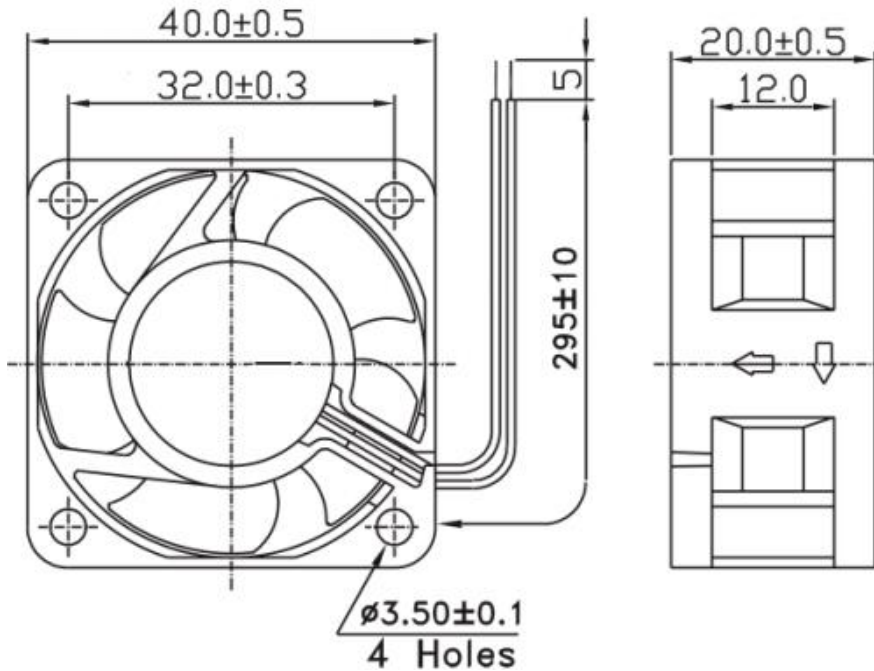
# DC Axial Fan, 40 x 40 x 20mm, 15.3m/h, 1.7W, 24 V dc (OD4020 Series)

RS Stock number [668-8814](#)



RS Order Number	6688805	6688814
Model Number	OD4020-12HSS	OD4020-24HSS
Nominal Voltage (VDC)	12	24
Nominal Current (A)	0.11	0.09
Rated Power (W)	1.2	1.7
Rated Speed (RPM)	7800	7800
Airflow (CFM)	9	9
Noise Level (dB)	32	32
Max. Static Pressure	0.30 "H2O	0.30 "H2O

**Drawing(mm):**



**Specifications:**

Frame & Impeller:	PBT, UL94V-O plastic
Connection:	2x Lead wires 26AWG
Motor:	Brushless DC, auto restart, impedance and polarity protected
Bearing System:	Sealed sleeve
Insulation Resistance:	10M ohm between leadwire and frame (500VDC)
Dielectric Strength:	1 second at 500 VAC, max leakage – 500MicroAmp
Storage Temperature:	-30 ~ +90°C
Operating Temperature:	-10 ~ +70°C
Life Expectancy (L10):	50,000+ hrs

**Available Options:**

- Sleeve bearing
- Ball bearing
- Tachometer
- Alarm
- 5V