

## Datasheet

### Sealed Miniature Toggle Switch

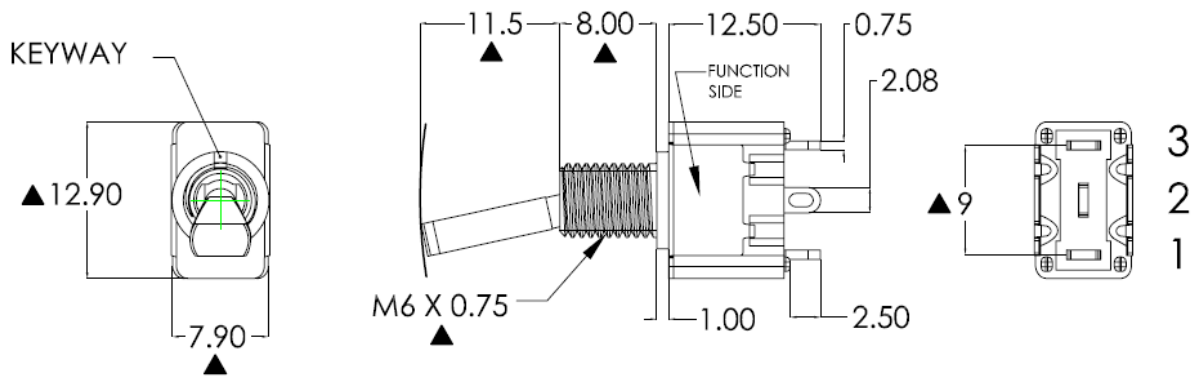
RS Stock number 734-7000




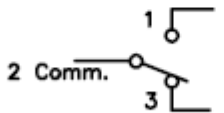
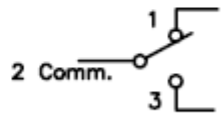


#### Specifications:

MECHANICAL LIFE:	20,000 make-and-break cycles.
CONTACT RESISTANCE:	10m $\Omega$ max. Initial @ 2-4VDC 100mA for both silver and gold plated contacts.
INSULATION RESISTANCE:	500V 500M $\Omega$ min.
DIELECTRIC STRENGTH:	1,000Vrms min. @ sea level.
OPERATING TEMPERATURE:	-30°C to 85°C.
Water Resistance:	100 make-and-break cycles min. at 10cm depth
CASE:	Dially phthalate (DAP) UL94v-0)
ACTUATOR:	Brass, chrome plated
Bushing:	Brass, nickel plated
Housing:	Stainless steel
CONTACT/TERMINAL:	Silver or gold plated
Switch Support:	Brass, tin plated
RoHS:	2002/95/EC

Dimensions – inch  
mm



Model No.	POS.1	POS.2	POS.3
			
1FS3	ON	OFF	ON
Term. Comm.	2-3	OPEN	2-1
SCHEMATIC			

SWITCH FUNCTION