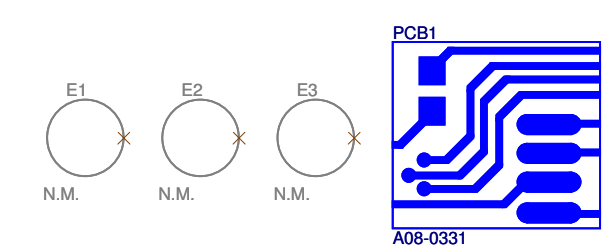
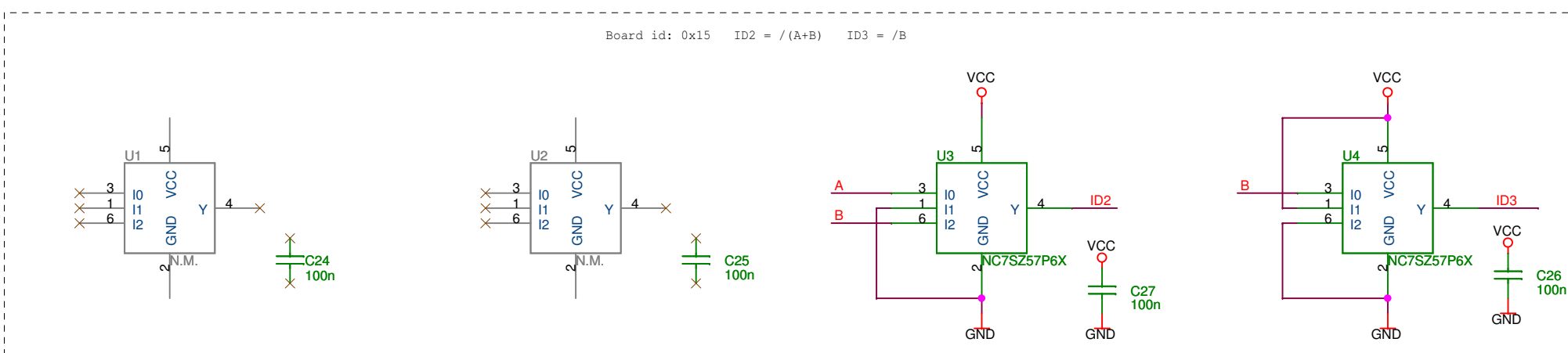
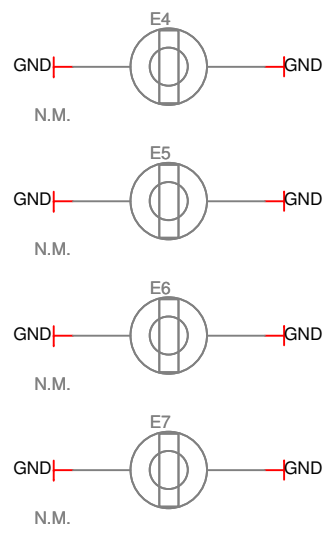
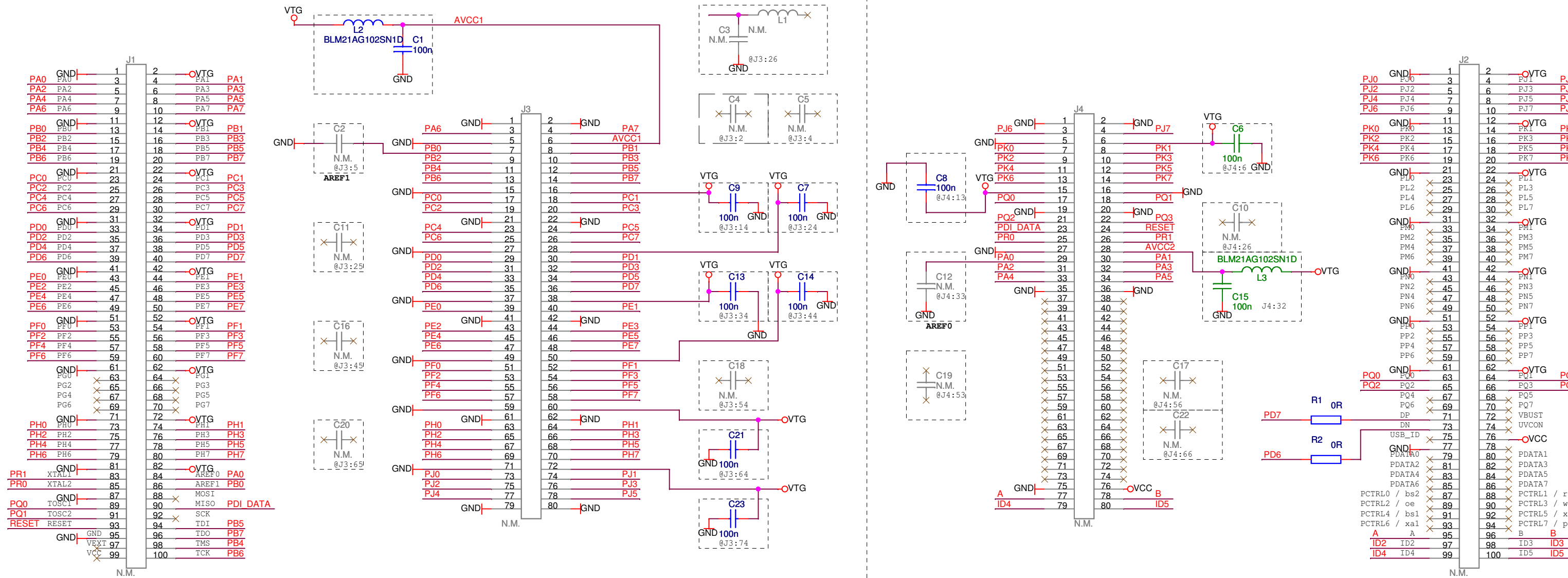
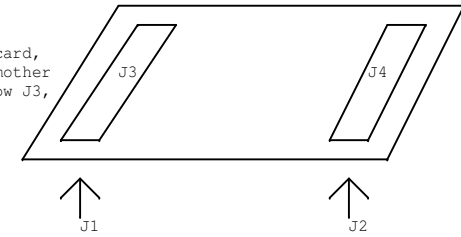


STK600-RC100X-13

Routing card for 100-pin Xmega

J3 and J4 mates up to the socket card, while J1 and J2 goes down to the mother board. J1 is physical placed below J3, and J2 below J4.



BOM

ATMEL Norway AS Vestre Rosten 79 N-7075 TILLER Norway		
Title: RC100X-13 Routing card for 100-pin Xmega		
Size: A3	Document Number: <Doc>	Rev: 5
Date: Monday, September 07, 2009	Sheet: 1 of 1	