



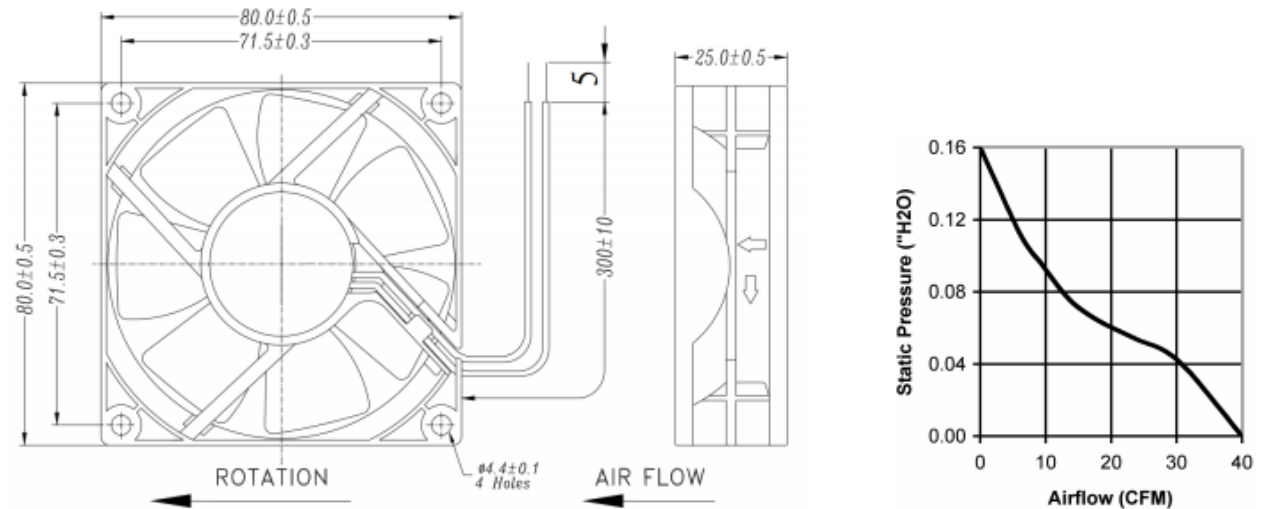
ENGLISH

Datasheet

DC Axial Fan, 80 x 80 x 25mm, 68m/h, 2.9W, 12 V dc

RS Stock number [668-8839](#)

Dimensions: (mm)



Specifications

- Frame & Impeller: PBT, UL94V-O plastic
- Connection: 2x Lead Wires 24AWG
- Motor: Brushless DC, auto restart, polarity protected
- Bearing System: Sealed Sleeve
- Insulation Resistance: 10M ohm between lead-wire and frame (500VDC)
- Dielectric Strength: 1 second at 500 VAC, max leakage – 500 MicroAmp
- Available Options: Sleeve Bearing /Ball Bearing/ Tachometer/ Alarm /Thermal control/ PWM Input / IP55 / 48V & 5V /
- Life Expectancy (L10) 50,000+ hrs
- Operating Temperature: -10 ~ 70C

RS Order Number	6688839
Model Number	OD8025-12HSS
Part Number	183143001
Nominal Voltage	12 VDC
Nominal Current	0.25A
Rated Power	2.9W
Rated Speed (RPM)	3100
Airflow (CFM)	40
Noise Level (dB)	34
Max. Static Pressure	0.16" H2O