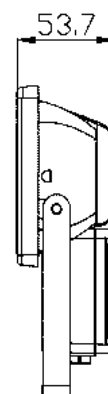
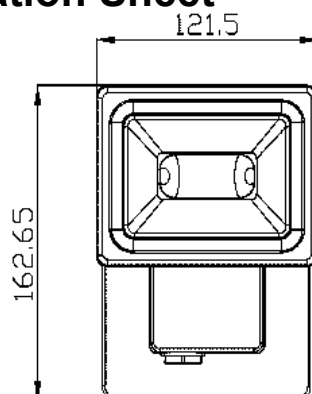


Data Specification Sheet



10W LED Floodlight

Code	851-2946
Description	10W IP44 LED Floodlight
Base Finishes available	Black
Overall dimensions (mm)	See above diagram
Weight	0.5KG
Fixing	Stirrup Bracket
Typical location	Indoor or Outdoor
Lamp Supplied	Yes non replaceable 5630 Multi-chip
Lumen Output	600Lm - 60Lm/W
Lamp Life (Average)	25,000 Hours
Lamp Colour	4000K
Voltage (V)	220-230V 50Hz
Wattage (W)	10W
Circuit Watts	10W
Dimmable	No
Class	Class I. Must be Earthed
IP	IP44
Photometric Testing	No
Instruction sheet	Yes
Origin of manufacture	China
Pack Included	Instructions
Main materials:	
• Body	Die-cast
• Reflector	Aluminium
• Gasket	Silicone Rubber
• Glass	Toughened 3mm glass
Lamp holder cap and make	N/A
Lamp type	5630 Multi-Chip
Electrical Connections	Pre Wired
CE mark	Yes
Batch coding details	Yes
Certificate of Conformity	Yes
Manufactured in accordance	EN60 598-2-5
Guarantee Period	2 Year

