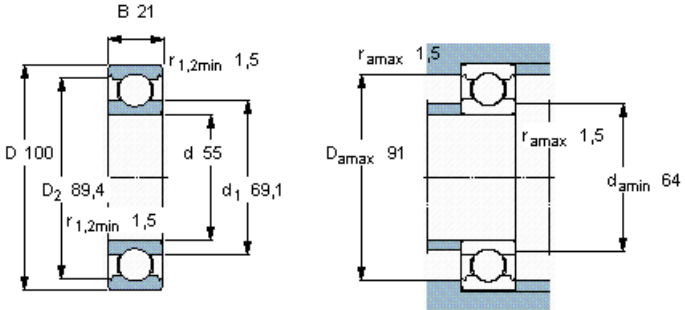


### Deep groove ball bearings, single row

Principal dimensions			Basic load ratings		Fatigue load limit $P_u$	Speed ratings		Mass	Designation
d	D	B	dynamic	static		Reference speed	Limiting speed		
mm			kN		kN	r/min		kg	-
55	100	21	46,2	29	1,25	14000	9000	0,61	6211 *



**Calculation factors**

$k_r$  0,025  
 $f_0$  14