



**Sel.switch,2 pos.**

**Part no.**  
**Article no.**  
**Catalog No.**


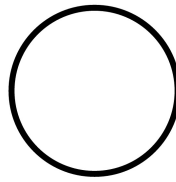
**M22-WRK**  
**216867**  
**M22-WRKQ**

**EATON**

Powering Business Worldwide™



## Delivery programme



|                            |  |  |   |
|----------------------------|--|--|---|
| Product range              |  |  | RMQ-Titan (drilling dimensions 22.5 mm)   |
| Basic function             |  |  | Selector switch actuators   |
| Single unit/Complete unit  |  |  | Single unit   |
| Description                |  |  | 2 positions<br>Stay-put/spring-return function, can be changed with coding parts M22-XC-Y                     |
| Function                   |  |  | maintained<br><br>right: 60° |
| Design                     |  |  | With thumb-grip   |
| Colour of button plate     |  |  |                             |
| Front ring                 |  |  | Front ring: titanium  |
| Connection to SmartWire-DT |  |  | yes   |

## Approvals

Product Standards  
UL File No.  
UL Category Control No.  
CSA File No.  
CSA Class No.  
North America Certification  
Degree of Protection

IEC/EN 60947-5; UL 508; CSA-C22.2 No. 14-05; CSA-C22.2 No. 94-91; CE marking  
E29184  
NKCR  
012528  
3211-03  
UL listed, CSA certified  
UL/CSA Type 3R, 4X, 12, 13

## General

|   |                  |                      |  |
|---|------------------|----------------------|--|
| Standards                                 |                  |                      | IEC/EN 60947<br>VDE 0660   |
| Lifespan, mechanical                      | Operations       | x<br>10 <sup>6</sup> | > 0.1  |
| Operating frequency                       | Operations/<br>h |                      |  2000 |
| Operating torque (screw terminals)        |                  | Nm                   |  0.3  |
| Protection type                           |                  |                      | IP66   |
| Climatic proofing                         |                  |                      | Damp heat, constant, to IEC 60068-2-78<br>Damp heat, cyclic, to IEC 60068-2-30           |
| Ambient temperature                       |                  | °C                   |  |
| Open                                      |                  | °C                   | - 25 - + 70  |
| Storage                                   |                  | °C                   | - 40 - + 80  |
| Mounting position                         |                  |                      | As required  |
| Mechanical shock resistance               |                  | g                    | 30<br>Shock duration 11 ms<br>Sinusoidal<br>according to IEC 60068-2-27                  |
| Indoor and protected outdoor installation |                  |                      |  |

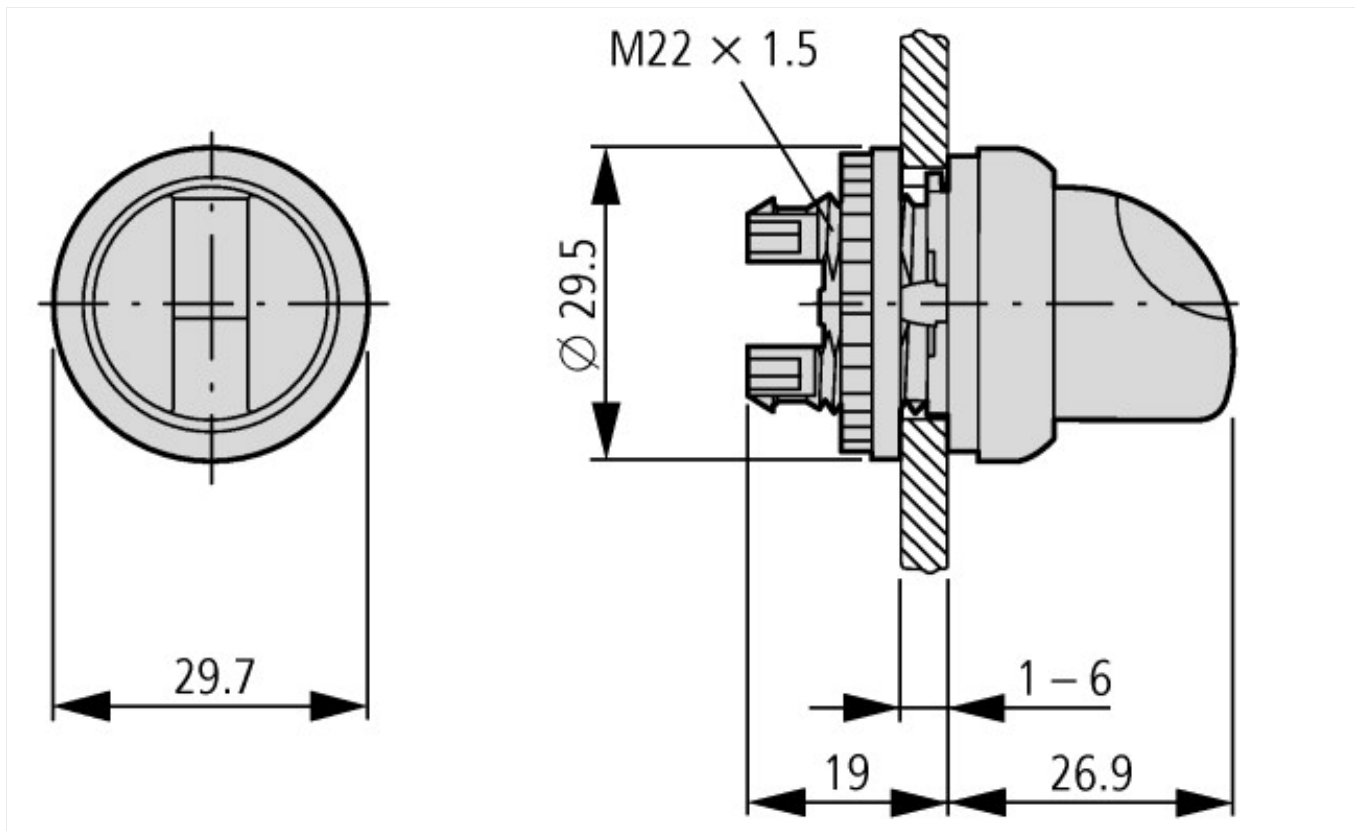
## Technical data ETIM 5.0

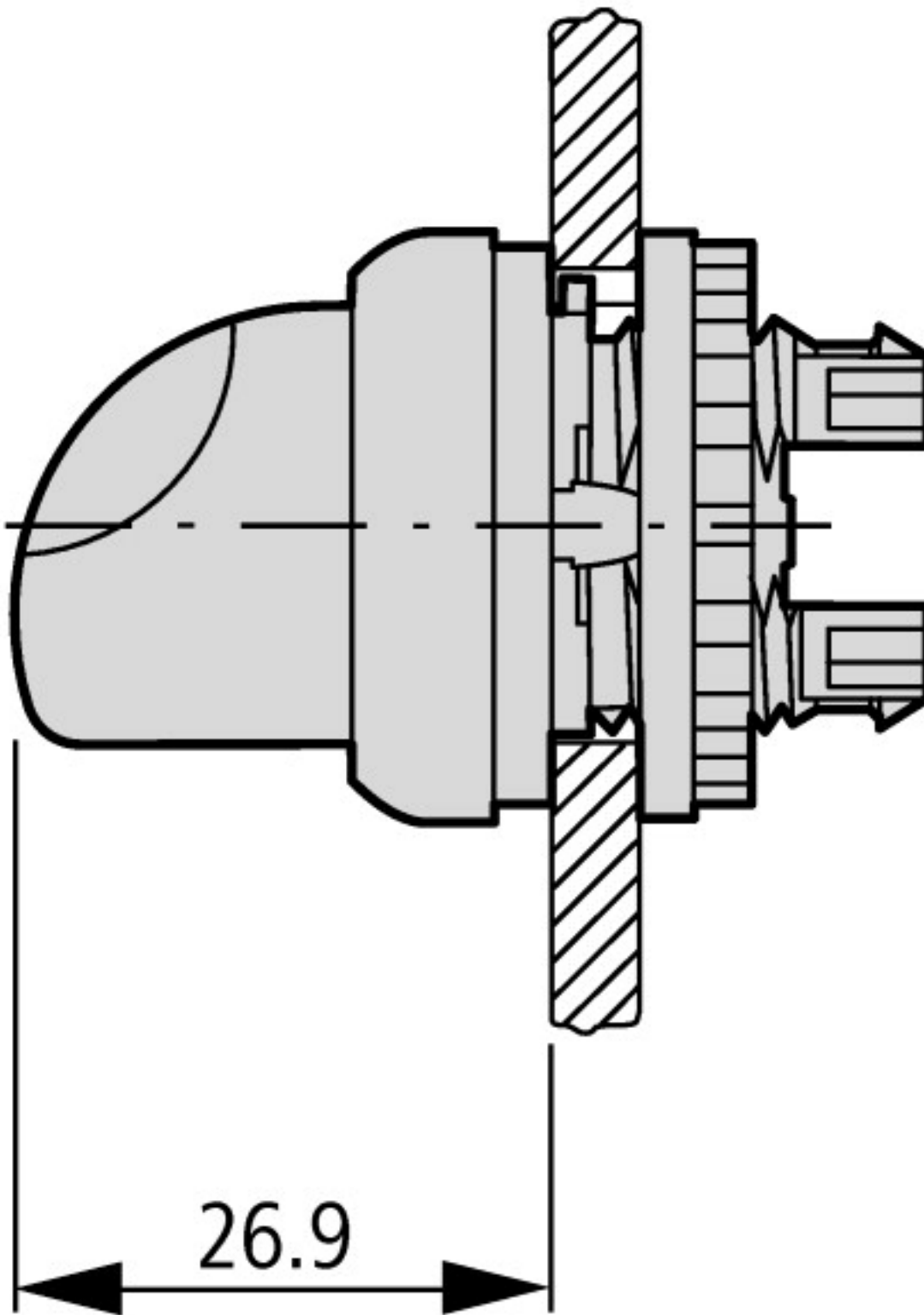
Low-voltage industrial components (EG000017) / Front element for selector switch (EC000222)  
Electric engineering, automation, process control engineering / Low-voltage switch technology / Command and alarm device / Front element for selector switches  
(ecl@ss8-27-37-12-13 [AKF031010])

|                            |  |  |        |
|----------------------------|--|--|--------|
| Number of switch positions |  |  | 2      |
| Type of control element    |  |  | Toggle |
| Suitable for illumination  |  |  | No     |

|                                       |  |    |                |
|---------------------------------------|--|----|----------------|
| Colour control element                |  |    | Black          |
| Colour indicator light cap            |  |    | Not applicable |
| Construction type lens                |  |    | Round          |
| Hole diameter                         |  | mm | 22.5           |
| Width opening                         |  | mm | 0              |
| Height meter opening                  |  | mm | 0              |
| Switching function latching           |  |    | Yes            |
| Spring-return                         |  |    | No             |
| Degree of protection (IP), front side |  |    | IP66           |
| With front ring                       |  |    | Yes            |
| Material front ring                   |  |    | Plastic        |
| Colour front ring                     |  |    | -              |

## Dimensions





**Additional product information (links)**

IL04716002Z (AWA1160-1745) RMQ-Titan System

IL04716002Z (AWA1160-1745) RMQ-Titan System

[ftp://ftp.moeller.net/DOCUMENTATION/AWA\\_INSTRUCTIONS/IL04716002Z2013\\_08.pdf](ftp://ftp.moeller.net/DOCUMENTATION/AWA_INSTRUCTIONS/IL04716002Z2013_08.pdf)