


Ordering number CA13014_SIRI-DIFF

Family	Siri	FWHM	146 degrees
Type	Assembly	Efficiency	96 %
LED	NVSxx19B	cd/lm	0.220
Color	Clear	Gerber File	Available
Diameter	13.9 + 13.9 mm		
Height	5.3 mm		
Style	Square		
Optic Material	PMMA		
Holder Material	-		
Fastening	Tape		
Status	Ready		

Ordering number C12490_SIRI-DOME

Family	Siri	FWHM	154 degrees
Type	Lens	Efficiency	97 %
LED	NVSxx19B	cd/lm	0.230
Color	Clear	Gerber File	Available
Diameter	13.9 + 13.9 mm		
Height	4.9 mm		
Style	Square		
Optic Material	PMMA		
Holder Material	-		
Fastening	Pin, glue		
Status	Ready		

Lens designed to protect LED without effect to LED original beam

NOTE: The typical divergence will be changed by different color, chip size and chip position tolerance. The typical total divergence is the full angle measured where the luminous intensity is half of the peak value.



PRODUCT DATASHEET

Siri series

last update 15/2/2013



GENERAL INFORMATION

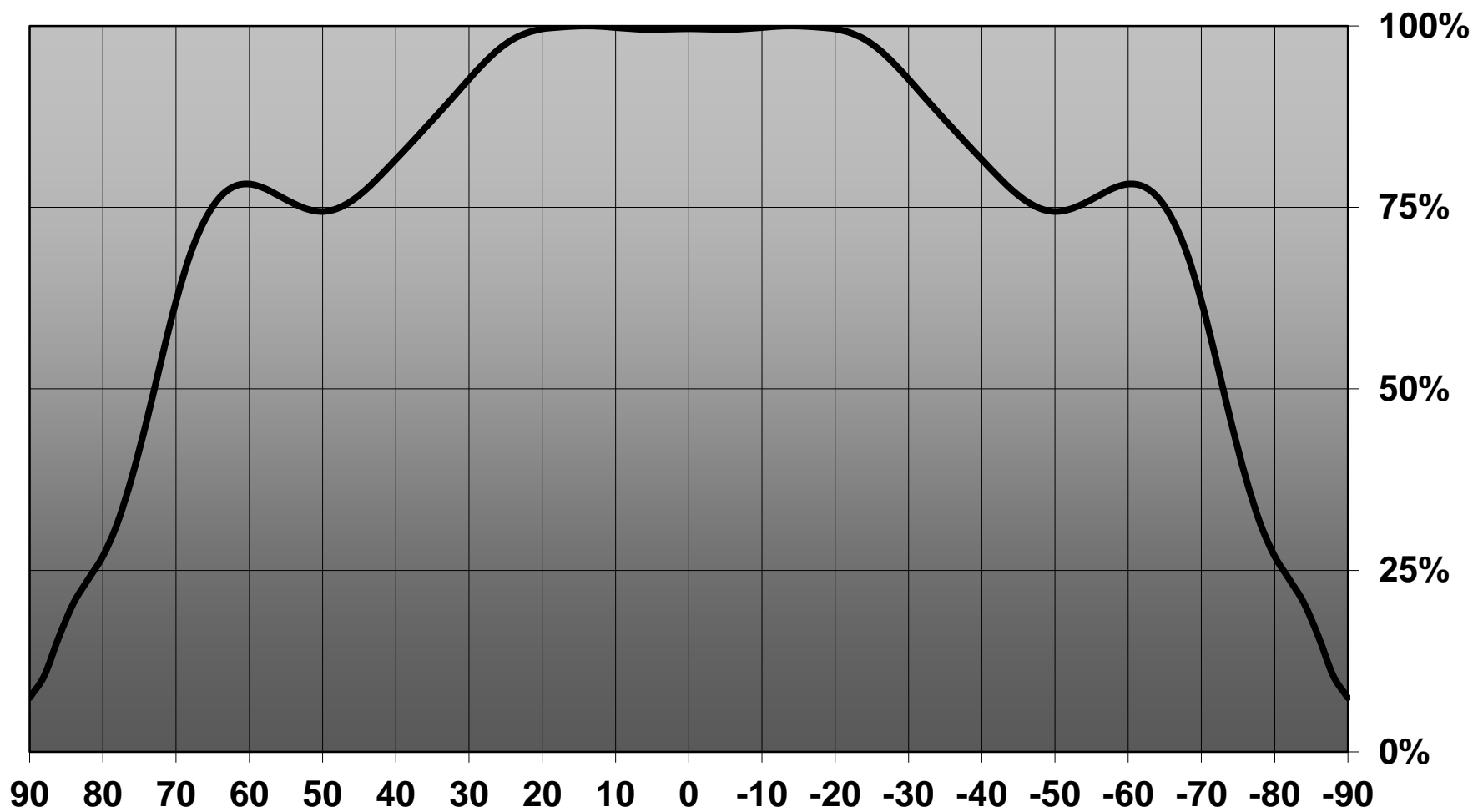
- Product series especially designed & optimized for NVSxx19B series of LEDs.
- Special care taken to make light distribution as uniform as possible.
- Lens material optical grade PMMA with high UV and temperature resistance. Allows use of high current and temperature conditions.

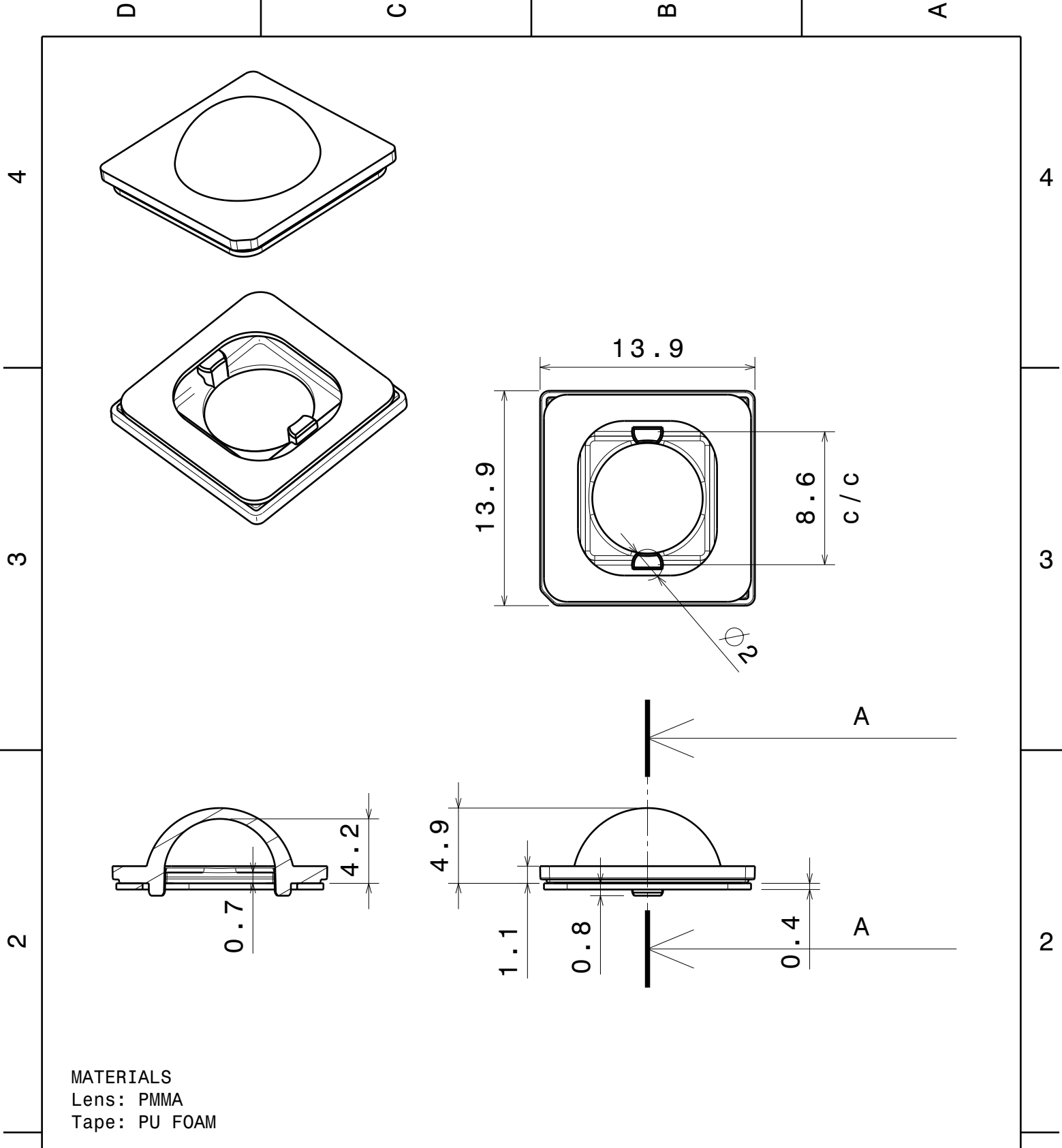
Please find more information about used material from below:

http://ledil.fi/sites/default/files/Documents/Technical/Material/PMMA%20N%20UL94_Yellow%20Card.pdf

<http://ledil.fi/sites/default/files/Documents/Technical/Material/PMMA%20N%20PLEXIGLAS-Datasheet.pdf>

Relative intensity of CA13014_SIRI-DIFF (Nichia 219B)





MATERIALS
 Lens: PMMA
 Tape: PU FOAM

This drawing is our property.
 It can't be reproduced
 or communicated without
 our written agreement.



Ledil Oy
 Salorankatu 10
 FIN 24240 SALO
 Finland

Ledil Oy
 Salorankatu 10
 FIN-24100 SALO
 Finland

DRAWING TITLE

DRAWN BY as		DATE 23.07.2012		Datasheet SIRI-DOME/-DIFF assy			
CHECKED BY ol		DATE 23.07.2012					
DESIGNED BY pv		DATE 23.11.2011		SCALE 1:1	WEIGHT	SHEET 1/1	

Grid labels: D, C, B, A (top and bottom); 4, 3, 2, 1 (left and right)