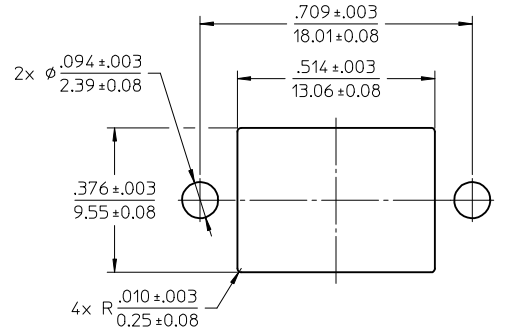
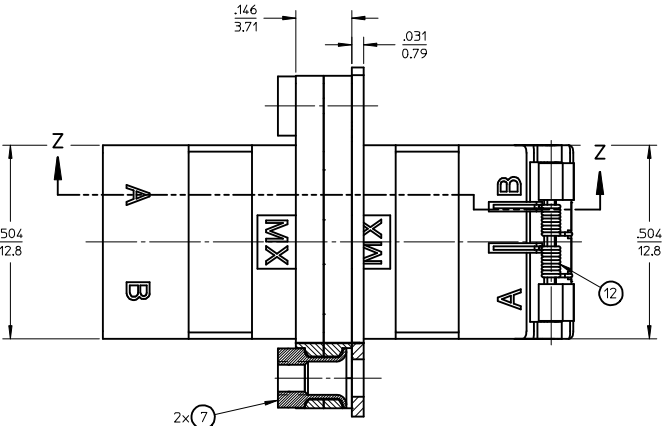
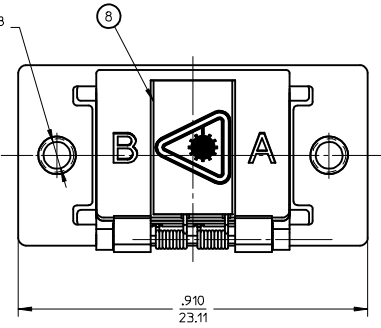
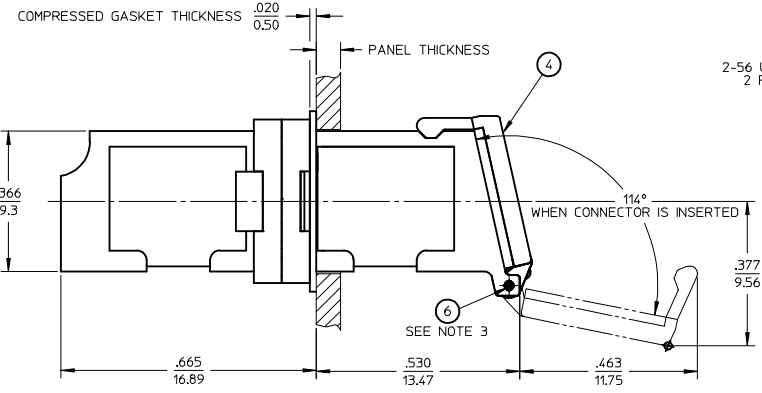
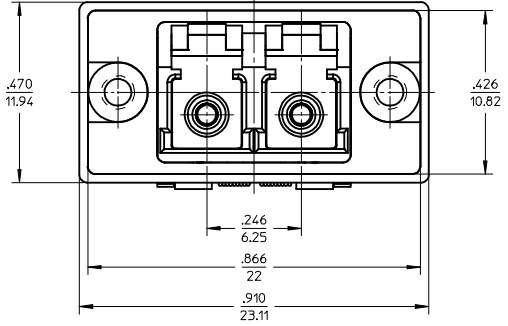
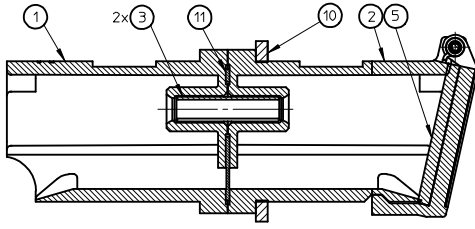
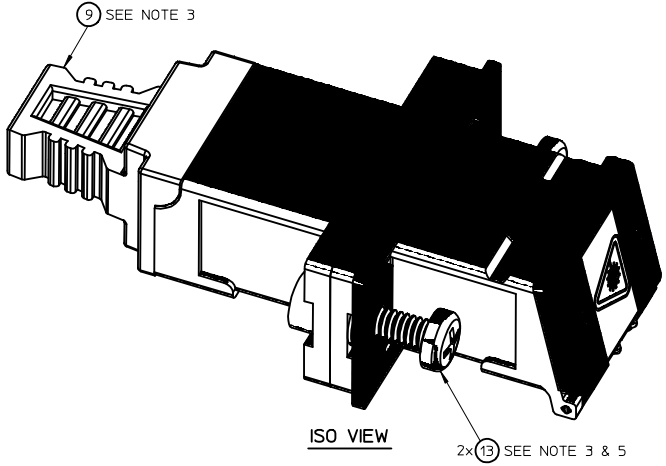


13	12	11	10
LCD ADAPTER P/N	LC SLEEVE (Pos.3)	DOOR (Pos.4)	
	MATERIAL	COLOR	
106127-0150	ZR	BLUE	
106127-0160	PH. BRONZE	BEIGE	



**RECOMMENDED MOUNTING PATTERN**



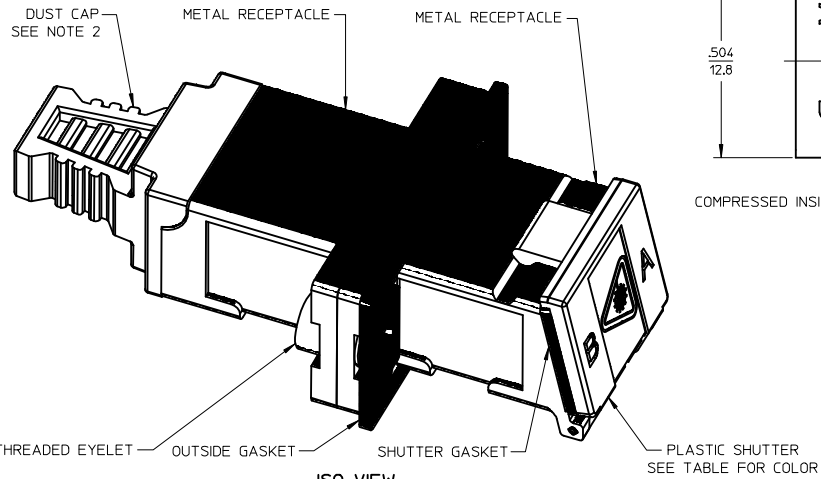
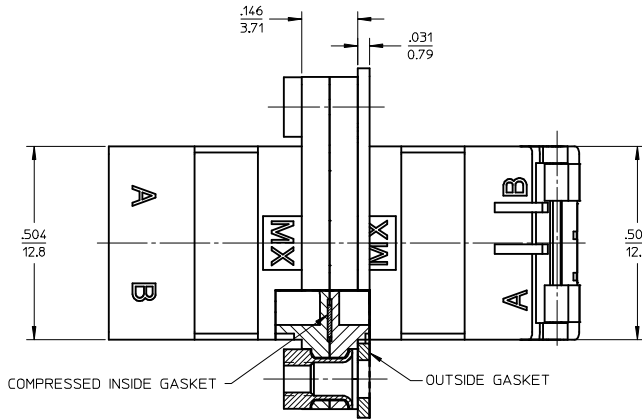
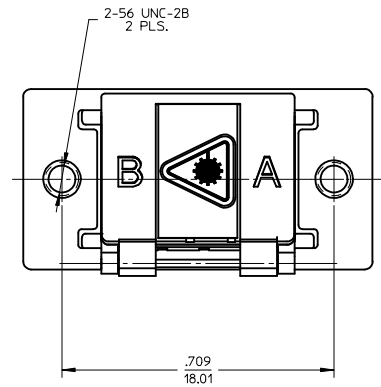
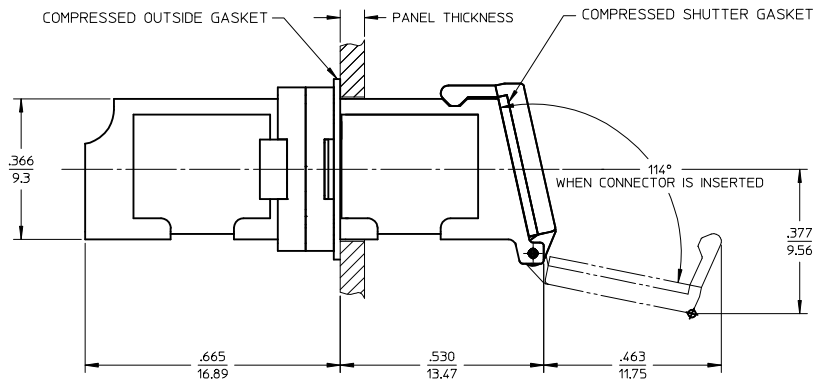
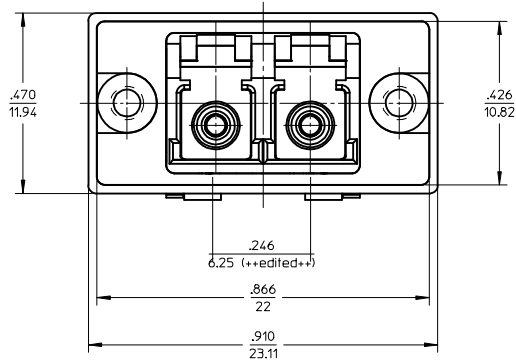
**SECTION Z-Z**

- NOTES:
- ALL DIMENSIONS ARE FOR REFERENCE.
  - FIRST ASSEMBLE ITEMS #1, #2, #3, #7, AND #11. ASSEMBLED CLINCH NUTS (THREADED EYELET ITEM #7) SHALL BE ABLE TO WITHSTAND 3in-lb TORQUE WITHOUT ROTATING IN THE ADAPTER FLANGE.
  - DUST CAP (ITEM #9) AND SEALING SCREWS (ITEM #13) SHOWN IN ISO VIEW ONLY.
  - LC DUPLEX ADAPTER HAS SC ADAPTER FOOTPRINT.
  - SEALING SCREWS (ITEM #13) SHALL BE THREADED INTO GASKET SIDE OF LC ADAPTER APPROX. 4 TURNS.

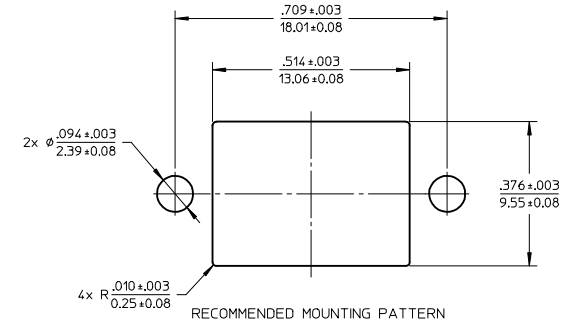
13	CAP SCREW, #2-56 by 3/8" (WITH O-RING)	2
12	SPRING, SEALED LCD ADAPTER	2
11	INSIDE GASKET	1
10	OUTSIDE GASKET, METALIZED	1
9	DUST CAP	1
8	LABEL (LASER WARNING)	1
7	THREADED EYELET	2
6	LC HINGE PIN	1
5	DOOR GASKET	1
4	DOOR (SEALED LCD ADAPTER) (SEE TABLE)	1
3	LC SLEEVE (SEE TABLE)	2
2	METAL RECEPTACLE WITH SHUTTER	1
1	METAL RECEPTACLE	1
Pos.	Description	Qty.

ENTER DESCRIPTION EC NO: MF2015-0248 DRWNSZ:ILAGY1 2014/10/29 CHKD: APPR:WCHEN 2015/01/12 REV:	QUALITY SYMBOLS	GENERAL TOLERANCES (UNLESS SPECIFIED)	DIMENSION STYLE IN/MM	SCALE 4:1	DESIGN UNITS INCH	THIRD ANGLE PROJECTION	
	▽=0	4 PLACES ± --- ± ---	DRAWN BY DATE DSZILAGY1 2014/10/24	TITLE	SEALED LCD ADAPTER (CONDUCTIVE GASKET)		
	▽=0	3 PLACES ± --- ± ---	CHECKED BY DATE	APPROVED BY DATE WCHEN 2015/01/12	molex		
	▽=1	2 PLACES ± --- ± ---	APPROVED BY DATE	MATERIAL NO.	DOCUMENT NO.	SHEET NO.	
		1 PLACE ± --- ± ---	SEE TABLE		SD-106127-0150	1 OF 1	
		0 PLACE ± --- ± ---	DRAFT WHERE APPLICABLE MUST REMAIN WITHIN DIMENSIONS	THIS DRAWING CONTAINS INFORMATION THAT IS PROPRIETARY TO MOLEX INCORPORATED AND SHOULD NOT BE USED WITHOUT WRITTEN PERMISSION			

13	12	11	10	9	8	7	6	5	4	3	2	1
LCD ADAPTER P/N	LC SLEEVE MATERIAL	PLASTIC SHUTTER COLOR										
106127-0100	ZR	BLUE										
106127-0110	PH. BRONZE	BEIGE										



ISO VIEW



RECOMMENDED MOUNTING PATTERN

NOTES:

1. ALL DIMENSIONS ARE FOR REFERENCE.
2. DUST CAP SHOWN IN ISO VIEW ONLY.
3. LC DUPLEX ADAPTER HAS SC ADAPTER FOOTPRINT.
4. LC DUPLEX ADAPTER TO BE PACKAGED IN TRAY.

ENTER DESCRIPTION EC NO: MF2013-0742 DRWNY:BEDNYAK 2013/05/30 CHKD: APPR:IGJMIN 2013/06/14	QUALITY SYMBOLS ▽=0 ▽=0 ▽=0	GENERAL TOLERANCES (UNLESS SPECIFIED)		DIMENSION STYLE IN/MM	SCALE 4:1	DESIGN UNITS INCH	THIRD ANGLE PROJECTION
		4 PLACES ± --- ± ---	3 PLACES ± --- ± ---	2 PLACES ± --- ± ---	1 PLACE ± --- ± ---	0 PLACE ± ±	DRAWN BY YBELENIY
B	DESCRIPTION	ANGULAR ± --- °		MATERIAL NO.	DOCUMENT NO.		SHEET NO.
		DRAFT WHERE APPLICABLE MUST REMAIN WITHIN DIMENSIONS		SEE TABLE	SD-106127-01X0		1 OF 1
THIS DRAWING CONTAINS INFORMATION THAT IS PROPRIETARY TO MOLEX INCORPORATED AND SHOULD NOT BE USED WITHOUT WRITTEN PERMISSION							