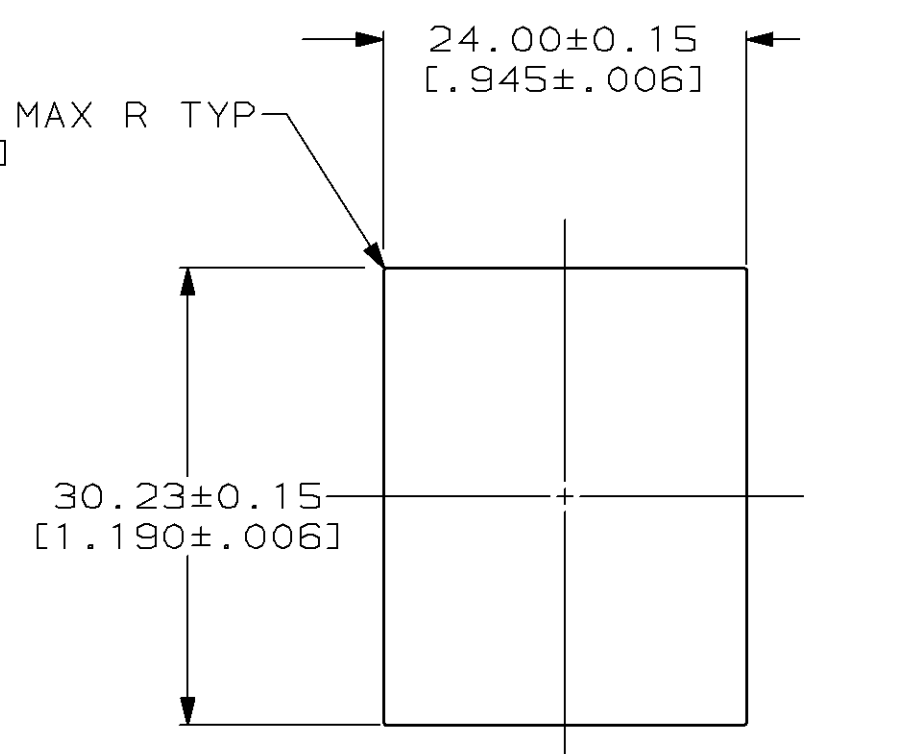
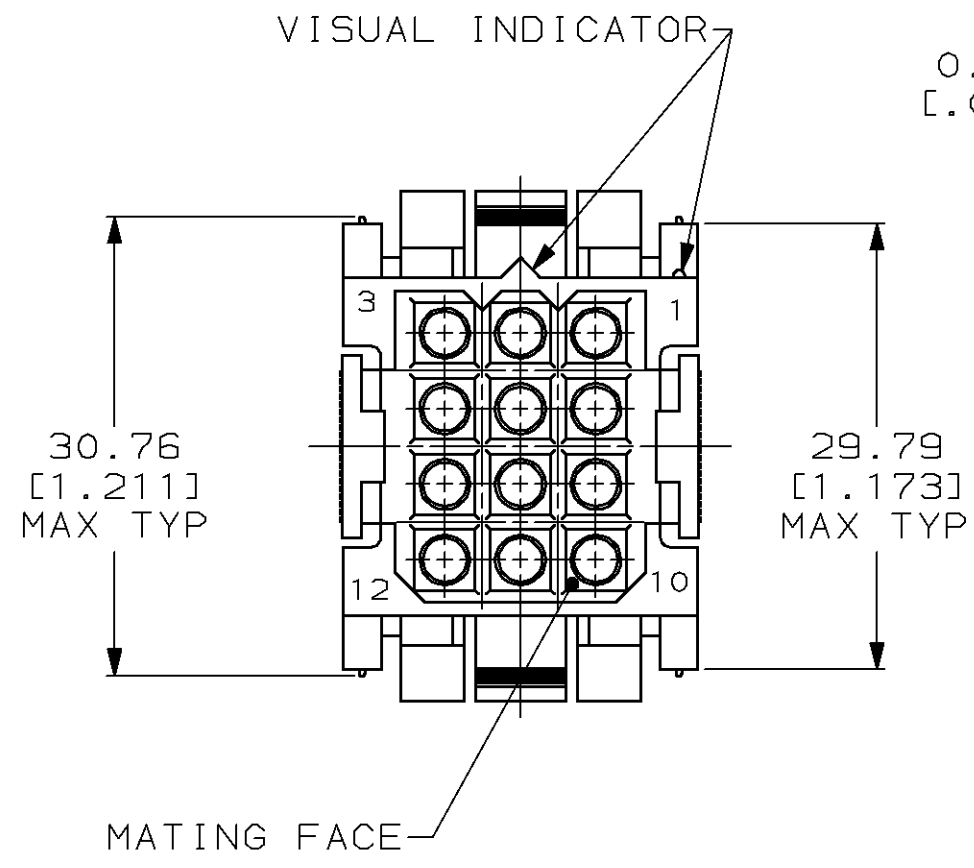
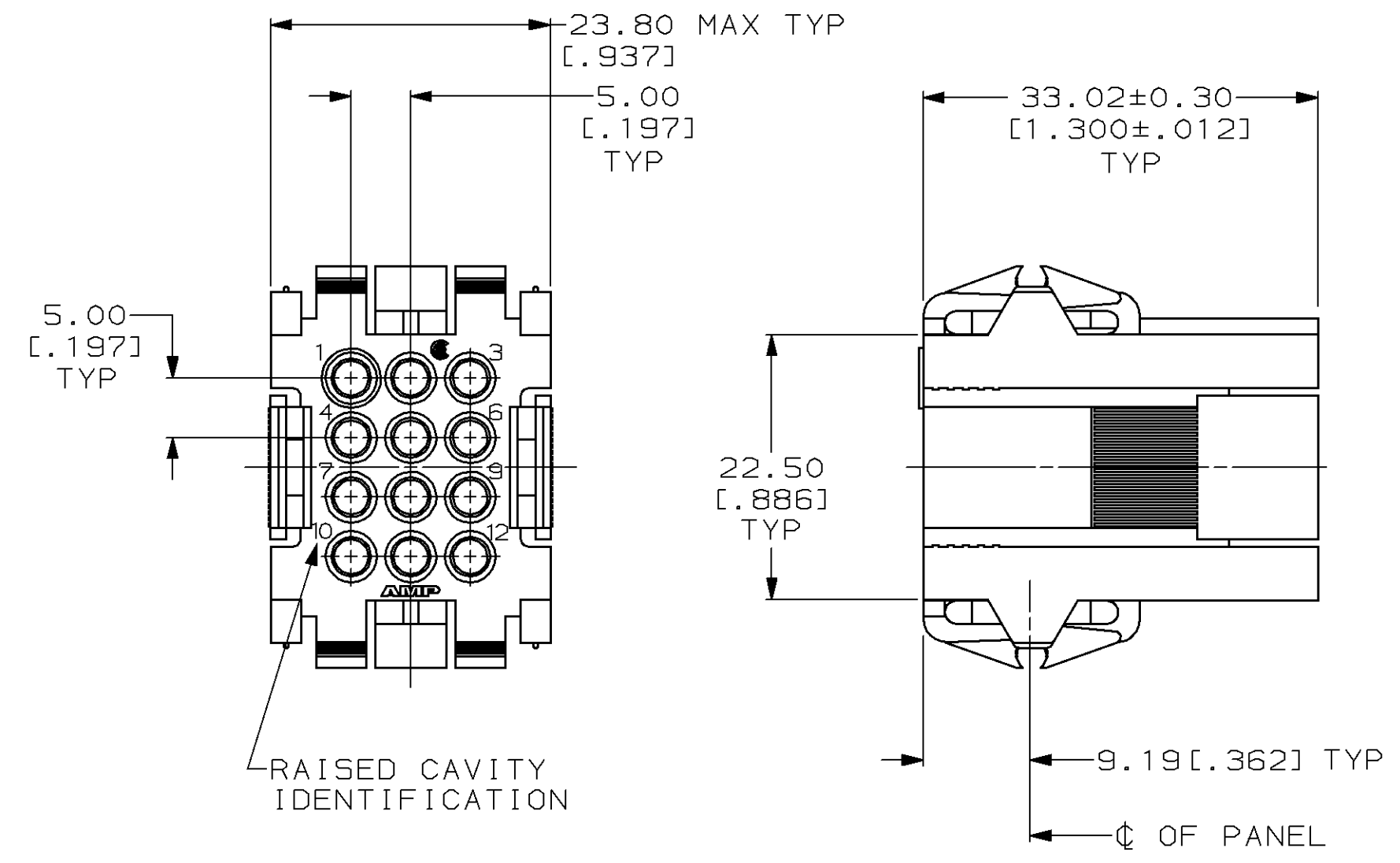


LOC	DIST	P	F	ZONE	LTR	DESCRIPTION	DATE	APPD
FT	13				L	REDRAWN & REVISED PER ECN BD6668	08/26/92	-
					M	REV PER EC 0020-250-94	03/24/94	AT
					N	REV PER EC 0G1C-25-98	11 MAR 98	MM



PANEL CUTOUT

- PANEL RETENTION MECHANISM ACCOMMODATES PANEL THICKNESSES FROM 0.76 [.030] TO 2.29 [.090].
- SAME AS 207018-1 EXCEPT: ROUNDED EDGES ON THE OUTSIDE OF THE HOUSING AND A 45° ANGLE ON THE OUTSIDE OF THE HOUSING BY THE LOCKING LATCHES, REF 927675.

207018-2
207018-1
PART NO

DO NOT SCALE PRINT. UNLESS SPECIFIED DIMENSIONS IN mm [INCHES] TOLERANCES ON: 2 PLC DEC ± 0.25 [.010] 3 PLC DEC ± - ANGLES ± -	DR 08/26/92 W.LENKER CHK 8-31-92 R.STONE APPD 9-2-92 A.TRAVIS APPD 9-3-92 C.ROHDE	AMP Incorporated Harrisburg, PA 17105-3608	
MATERIAL NYLON, COLOR: RED	PRODUCT SPEC 108-10033	NAME HOUSING, RECEPTACLE, 12 POSITION, METRIMATE	
FINISH -	APPLICATION SPEC -	SIZE C	CAGE CODE 00779
	WEIGHT -	DRAWING NO G=207018	SHEET 1 OF 1

THIS DRAWING IS A CONTROLLED DOCUMENT FOR AMP INCORPORATED. IT IS SUBJECT TO CHANGE AND THE CONTROLLING ENGINEERING ORGANIZATION SHOULD BE CONTACTED FOR THE LATEST REVISION.