

Datasheet

RS Pro Manual Ball Valve Stainless Steel 1-1/4 in BSPP

RS Stock No: **499-2824**



Product Details

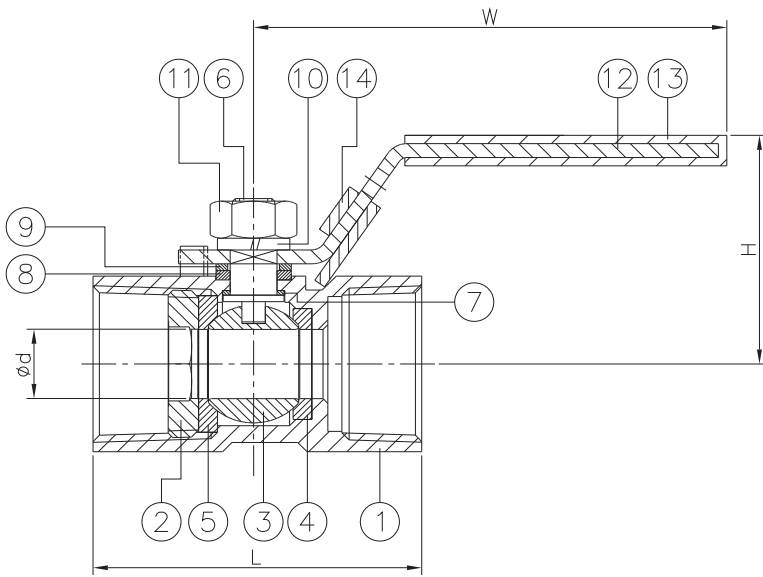
RS Pro stainless steel manual ball valve has a reduced bore with quarter turn facility for flow control. It has 1-1/4 in BSPP thread size for external connection. This stainless steel ball valve is available in various sizes.

Features and Benefits

- Reduced port, 1/4 - 3 in (DN8 - DN80)
- W.P: 1000WOG (PN63)
- W.T: -20 to 200°C
- Blow-out proof stem
- Antistatic and locking device
- Thread type: ASTM B1.20.1 (NPT) DIN2999 and BS21 ISO7/1 and EN10226
- Thrust washer and packing - PTFE
- Seat A and B - PTFE/RTFE
- Stem - AISI 316/AISI 304
- Body and retainer - ASTM A351-CF8M/ASTM A351-CF8

**Specifications:**

Attachment Type	Threaded
Ball Material	Stainless Steel
Body Material	Stainless Steel
Handle Material	Stainless Steel
Thread Standard	BSPP
Threaded Connection	1-1/4 in BSPP
Thread Size	1-1/4 in
Maximum Working Pressure	68 bar
Operating Temperature Range	-20 to +200°C



ITEM	PARTS	MATERIAL	
		1	BODY
2	RETAINER	ASTM A351-CF8M	ASTM A351-CF8
3	BALL	ASTM A351-CF8M	
4	SEAT A	PTFE / RTFE	
5	SEAT B	PTFE / RTFE	
6	STEM	AISI 316	AISI 304
7	THRUST WASHER	PTFE	
8	PACKING	PTFE	
9	GLAND RING	AISI 304	
10	SPRING WASHER	AISI 304	
11	STEM NUT	AISI 304	
12	HANDLE	PLASTIC	
13	HANDLE SLEEVE	PLASTIC	

DN	d	L	W	H
8	5	39	71	33
10	7	44	91	35
15	9.2	55	95	40
20	12.5	59	95	44
25	15	69	113	50
32	20	77	113	57
40	25	81	141	64
50	32	97	141	68
65	38	127	190	85
80	50	153	190	90

unit:mm

NPS	d	L	W	H
1/4"	0.2	1.54	2.8	1.3
3/8"	0.28	1.73	3.58	1.38
1/2"	0.36	2.17	3.74	1.57
3/4"	0.49	2.32	3.74	1.73
1"	0.59	2.72	4.45	1.97
1-1/4"	0.79	3.03	4.45	2.24
1-1/2"	0.98	3.19	5.55	2.52
2"	1.26	3.82	5.55	2.68
2-1/2"	1.5	5	7.48	3.35
3"	1.97	6.02	7.48	3.54

unit:in

