

ACTUATOR-/INDICATOR COMPONENT WITH INTEGRATED LED  
24V AC/DC LAMP HOLDER SCREW TERMINAL YELLOW



Figure similar

<b>Product designation</b>	lampholder
<b>Contact block/ lampholder:</b>	
<b>Mounting type</b>	integrated
<b>Number of lampholders</b>	1
<b>General technical data:</b>	
<b>Product function</b>	
• positive opening	No
<b>Product component</b>	
• diode	Yes
• lamp transformer	No
• Light source	Yes
• series resistor	No
<b>Insulation voltage</b>	
• rated value	250 V
<b>Surge voltage resistance rated value</b>	4 kV
<b>Protection class IP</b>	
• of the enclosure	IP40
• of the terminal	IP20

<b>Degree of pollution</b>	class 3
<b>Equipment marking</b>	
<ul style="list-style-type: none"> <li>• acc. to DIN 40719 extended according to IEC 204-2 acc. to IEC 750</li> </ul>	H
<ul style="list-style-type: none"> <li>• acc. to DIN EN 61346-2</li> </ul>	P
<ul style="list-style-type: none"> <li>• acc. to DIN EN 81346-2</li> </ul>	P
<b>Operating voltage 1</b>	
<ul style="list-style-type: none"> <li>• at AC <ul style="list-style-type: none"> <li>— at 50 Hz rated value</li> <li>— at 60 Hz rated value</li> </ul> </li> <li>• at DC rated value</li> </ul>	24 V 24 V 24 V

#### Supply voltage:

<b>Type of voltage of the supply voltage</b>	
<ul style="list-style-type: none"> <li>• of the light source</li> </ul>	AC/DC
<b>Supply voltage 1 of the light source at AC</b>	
<ul style="list-style-type: none"> <li>• at 50 Hz rated value</li> <li>• at 60 Hz rated value</li> </ul>	24 V 24 V
<b>Supply voltage 1 of the light source at DC</b>	
<ul style="list-style-type: none"> <li>• rated value</li> </ul>	24 V

#### Auxiliary circuit:

<b>Number of NC contacts</b>	
<ul style="list-style-type: none"> <li>• for auxiliary contacts</li> </ul>	0
<b>Number of NO contacts</b>	
<ul style="list-style-type: none"> <li>• for auxiliary contacts</li> </ul>	0
<b>Number of CO contacts</b>	
<ul style="list-style-type: none"> <li>• for auxiliary contacts</li> </ul>	0
<b>Consumed current for rated value of supply voltage maximum</b>	18 mA

#### Connections/ Terminals:

<b>Type of electrical connection</b>	screw-type terminals
<b>Tightening torque</b>	
<ul style="list-style-type: none"> <li>• for auxiliary contacts with screw-type terminals</li> </ul>	0.8 N·m

#### Lamp:

<b>Type of light source</b>	LED
<b>Color of the light source</b>	yellow




#### Ambient conditions:

<b>Ambient temperature</b>	
<ul style="list-style-type: none"> <li>• during operation</li> <li>• during storage</li> </ul>	-25 ... +70 °C -25 ... +80 °C

#### Installation/ mounting/ dimensions:

Mounting type	front mounting
Height	36 mm
Width	10 mm
Depth	20 mm

#### Certificates/approvals

General Product Approval	Declaration of Conformity	Test Certificates	other
 CCC	 CSA	 EAC	 EG-Konf.
		<a href="#">spezielle Prüfbescheinigungen</a> <u>n</u>	<a href="#">Bestätigungen</a>

#### other

[Umweltbestätigung](#)

#### Further information

##### Information- and Downloadcenter (Catalogs, Brochures,...)

<http://www.siemens.com/industrial-controls/catalogs>

##### Industry Mall (Online ordering system)

<https://mall.industry.siemens.com/mall/en/en/Catalog/product?mlfb=3SB34001PA>

##### Cax online generator

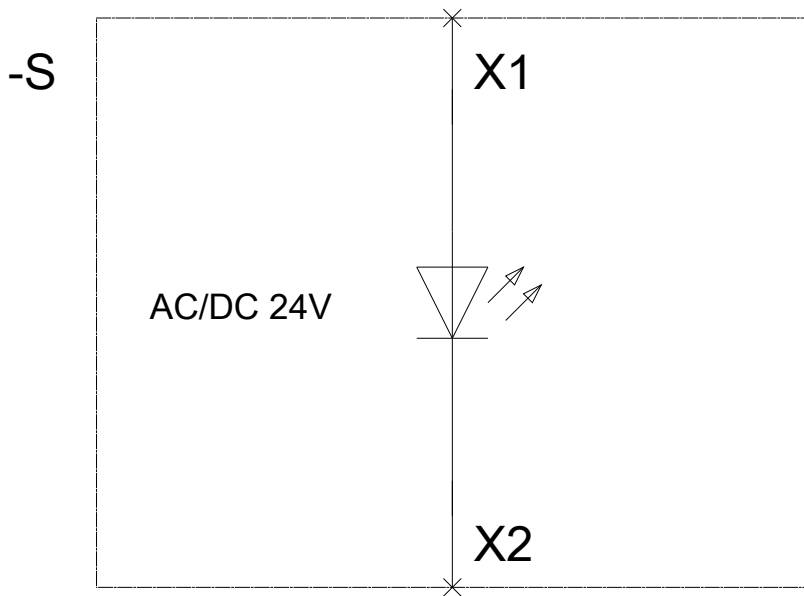
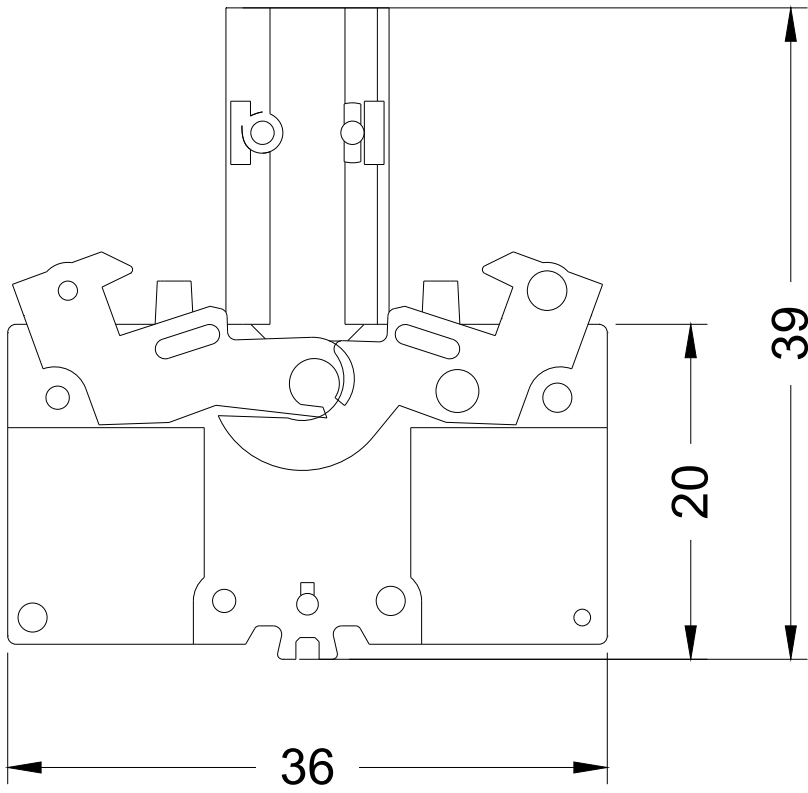
<http://support.automation.siemens.com/WW/CAXorder/default.aspx?lang=en&mlfb=3SB34001PA>

##### Service&Support (Manuals, Certificates, Characteristics, FAQs,...)

<https://support.industry.siemens.com/cs/ww/en/ps/3SB34001PA>

##### Image database (product images, 2D dimension drawings, 3D models, device circuit diagrams, EPLAN macros, ...)

[http://www.automation.siemens.com/bilddb/cax\\_de.aspx?mlfb=3SB34001PA&lang=en](http://www.automation.siemens.com/bilddb/cax_de.aspx?mlfb=3SB34001PA&lang=en)



last modified:

13.02.2016