

DETAILS

Product Number	C14165_STRADA-2X2-ME-WIDE2
Family	Strada-Module
Type	Lens
Color	clear
Diameter	50x50 mm
Height	7 mm
Style	square
Optic Material	PMMA
Holder Material	
Fastening	screw, pin
Status	ready
ROHS Compliant	Yes
Date Updated	24/04/2015



OPTICAL PROPERTIES

LED	Viewing Angle	Light Beam	Efficiency	cd/lm	Connector
TL1L4	Asymmetric deg	Streetligh...	81 %	0.750	: Protective Plate, Glass
XP-G2	Asymmetric deg	Streetligh...	79 %	0.800	: Protective Plate, Glass

D

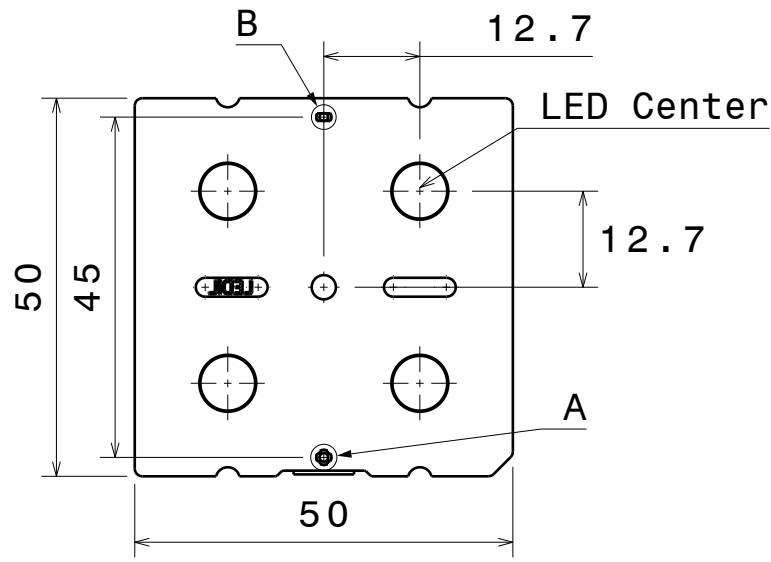
C

B

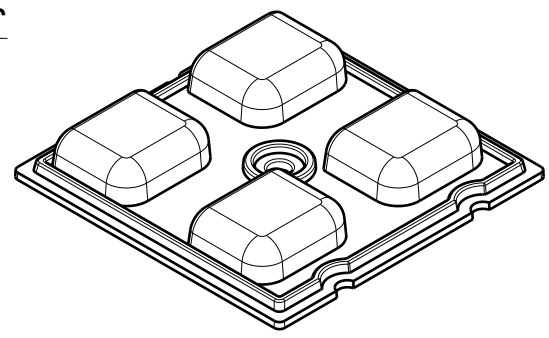
A

4

4



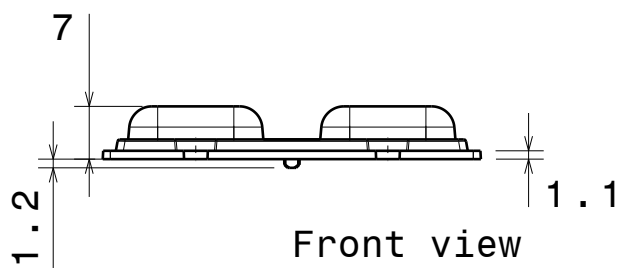
Bottom view



Isometric view

3

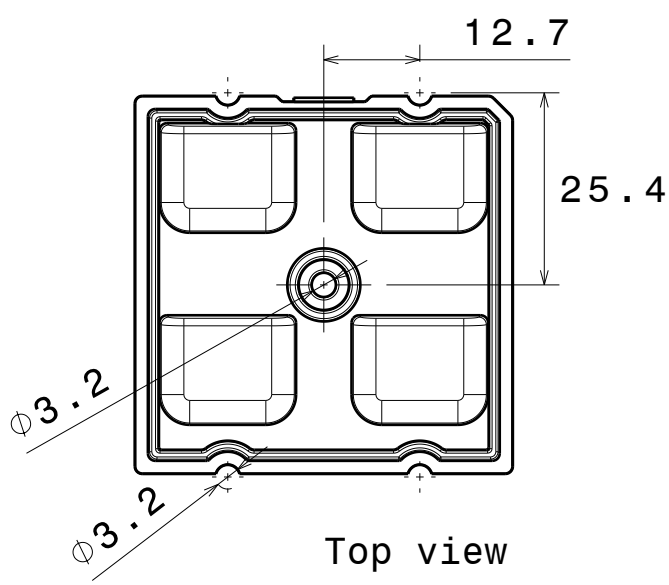
3



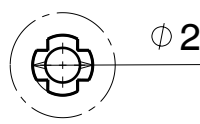
Front view

2

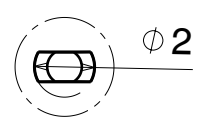
2



Top view



Detail A



Detail B

Tolerances if not otherwise shown
 According to DIN ISO 2768-1
 Linear measures:
 Up to 30mm class M, otherwise class C.
 According to DIN ISO 2768-2
 Form and position: class L

LEDiL LediL Oy
 Salorankatu 10
 FIN 24240 SALO
 Finland

THIRD ANGLE PROJECTION:

DRAWING TITLE
STRADA-2X2-ME-WIDE2

This drawing is the property of LEDiL Oy. It may not be reproduced, copied or communicated without a written agreement with LEDiL Oy.

SIZE	PART NUMBER		
A4	C14165		

SCALE	1:1	WEIGHT	-	SHEET	1/1
-------	-----	--------	---	-------	-----

D

A

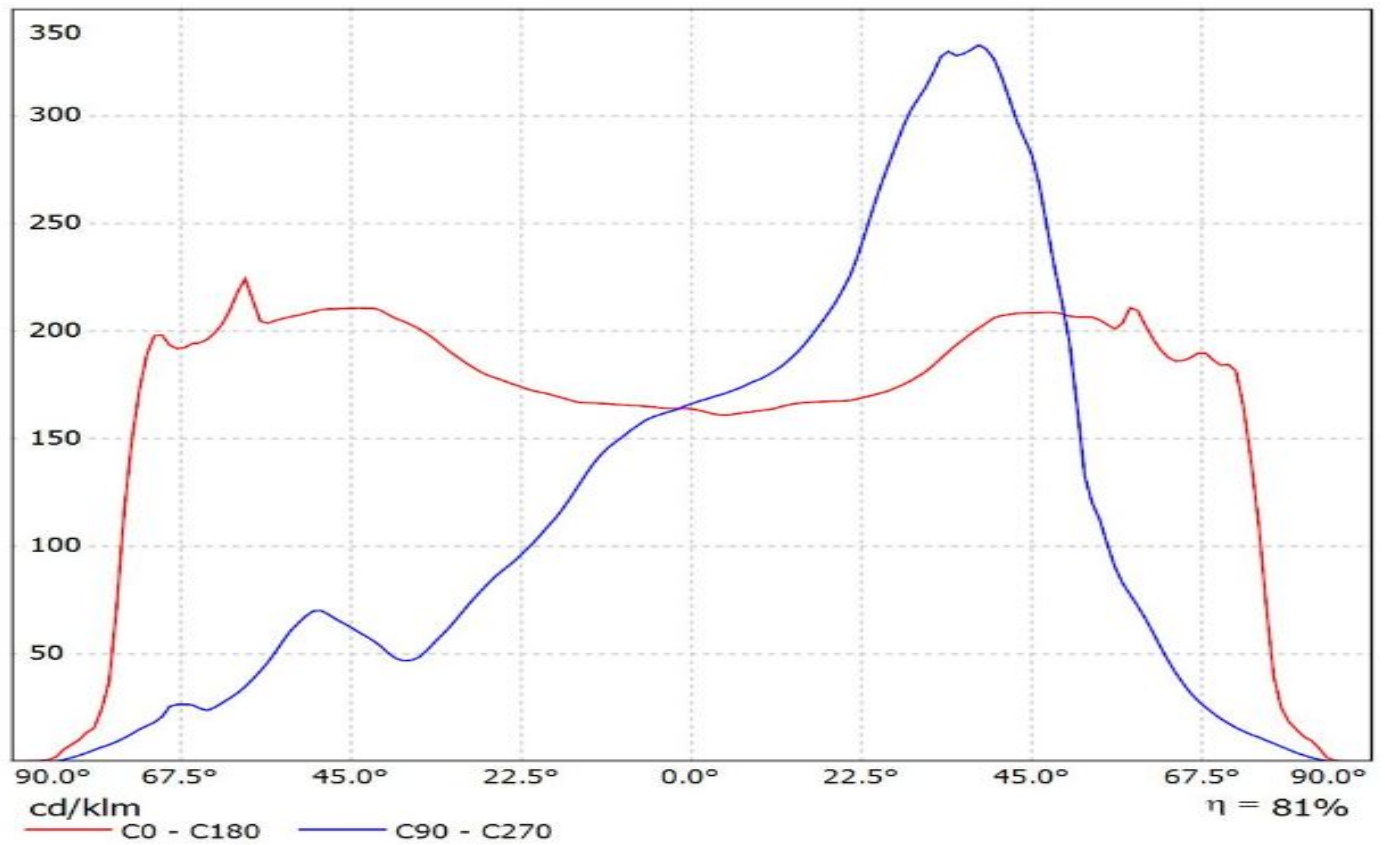
1

1

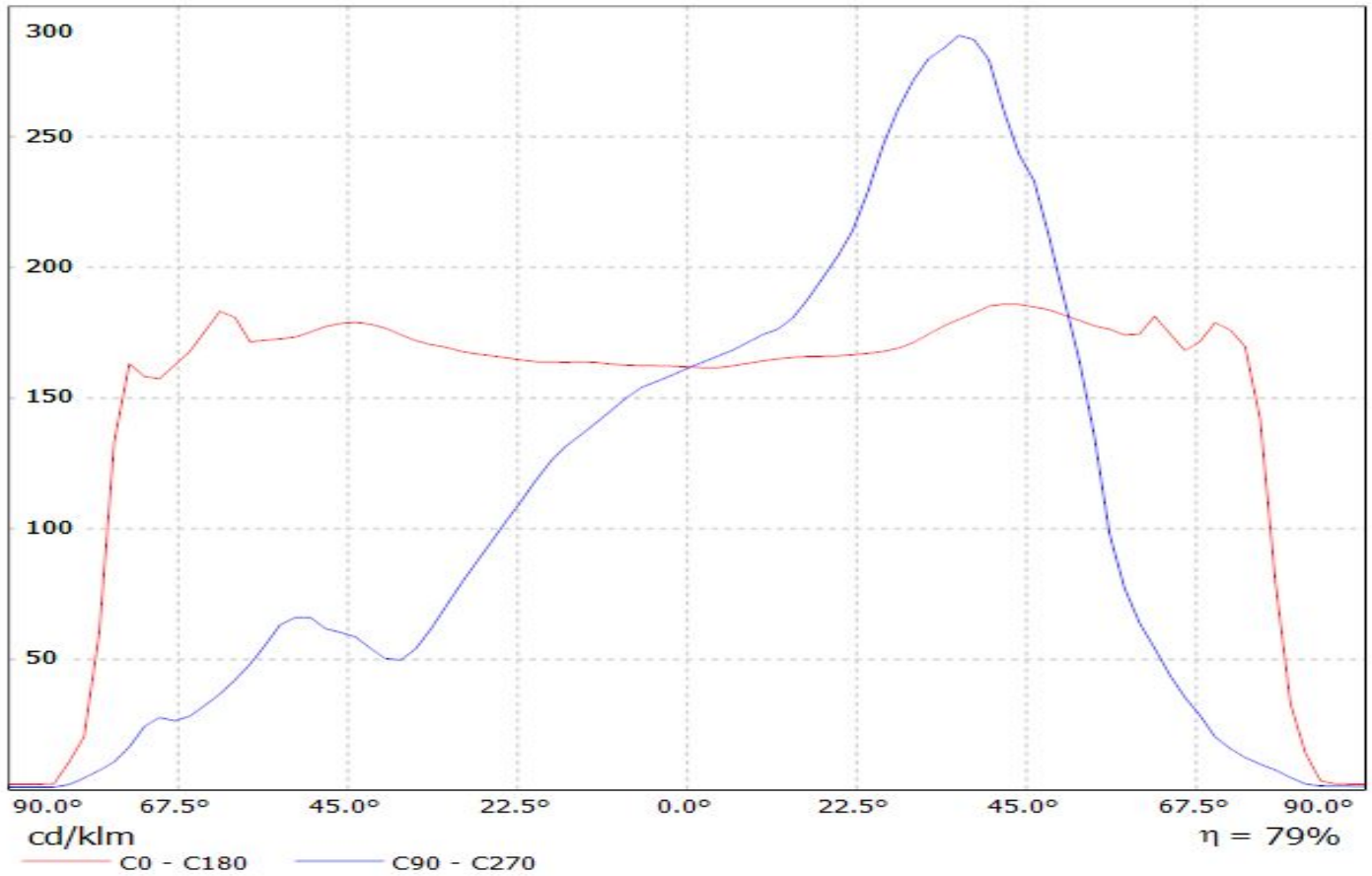
Ledil C14165_STRADA-2X2-ME-WIDE2_(TL1L4)_glass / LDC (Linear)

Luminaire: Ledil C14165_STRADA-2X2-ME-WIDE2_(TL1L4)_glass

Lamps: 1 x Toshiba_TL1L4_2x2_(TL1L4-DW0)_444.089lm@250mA_CCT=6500K_P=2.9W_I=0.25A



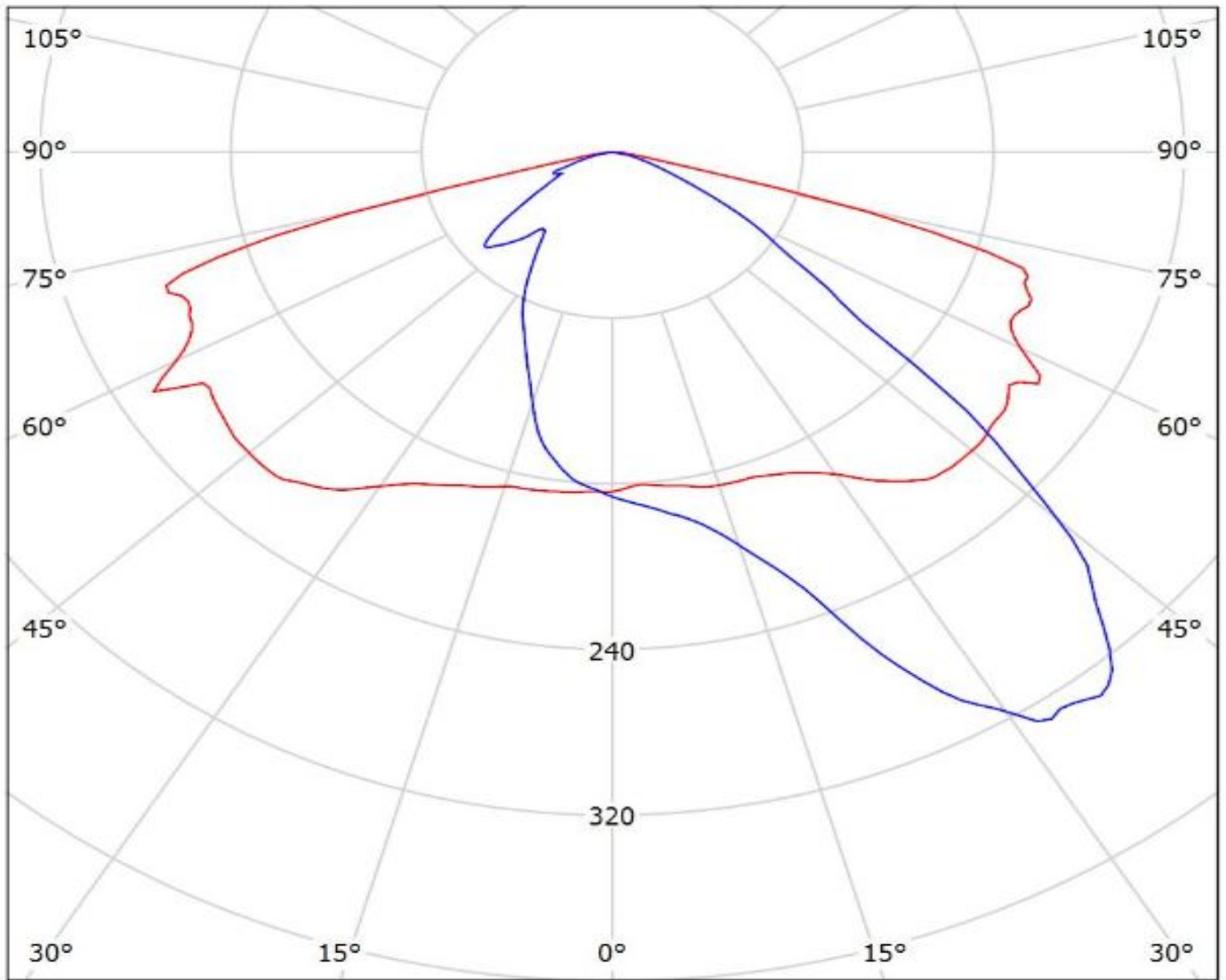
Luminaire: LEDiL Oy C14165_STRADA-2X2-ME-WIDE2 (XP-G2)
Lamps: 1 x CREE_XP-G2_2x2_(XPGBWT-L1-000-00G51)
_407.74lm@250mA_CCT=7181K_P=2.95432W_I=249.9mA



Ledil C14165_STRADA-2X2-ME-WIDE2_(TL1L4)_glass / LDC (Polar)

Luminaire: Ledil C14165_STRADA-2X2-ME-WIDE2_(TL1L4)_glass

Lamps: 1 x Toshiba_TL1L4_2x2_(TL1L4-DW0)_444.089lm@250mA_CCT=6500K_P=2.9W_I=0.25A

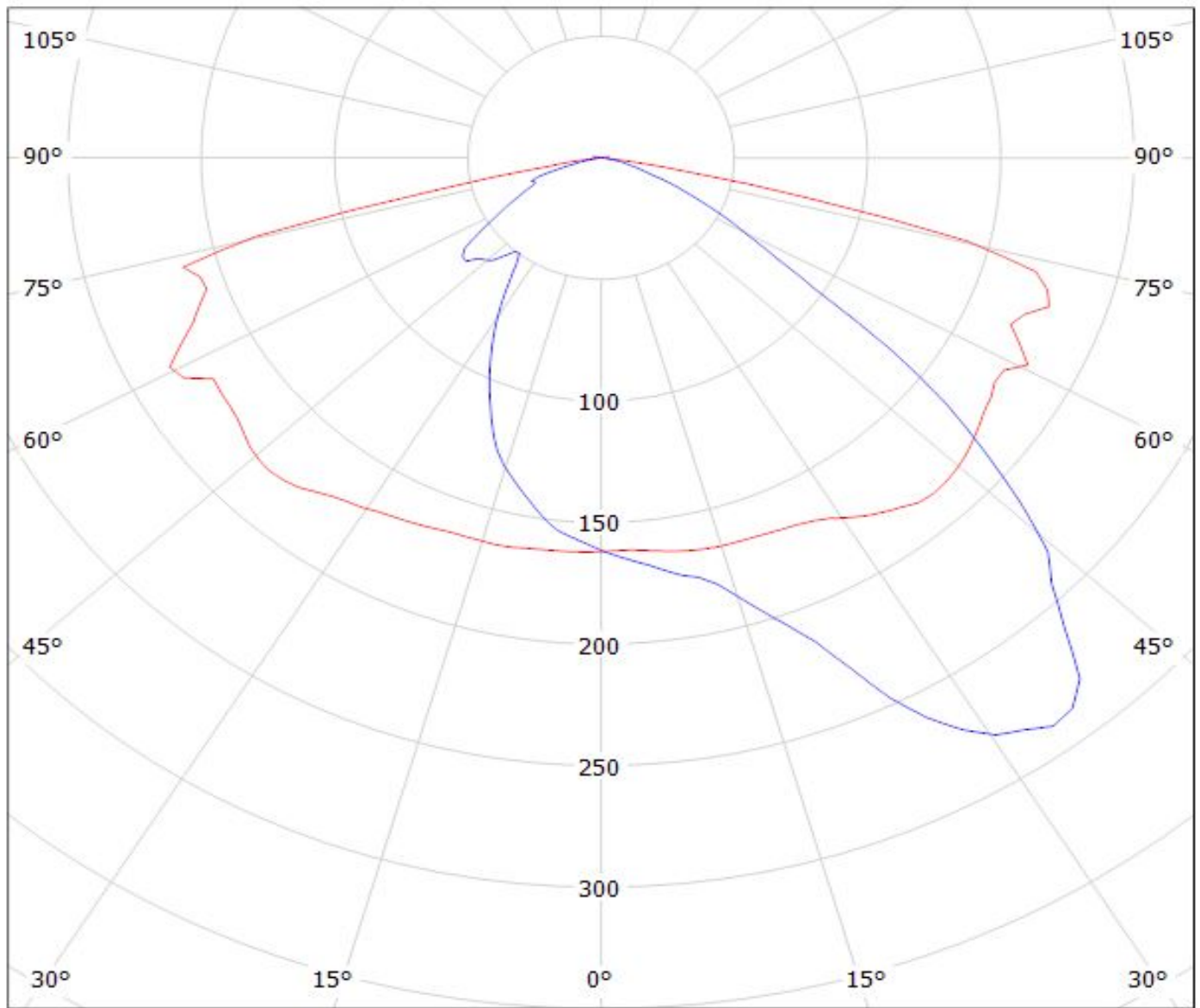


cd/klm

— C0 - C180 — C90 - C270

$\eta = 81\%$

Luminaire: LEDiL Oy C14165_STRADA-2X2-ME-WIDE2_(XP-G2)
Lamps: 1 x CREE_XP-G2_2x2_(XPGBWT-L1-000-00G51)
_407.74lm@250mA_CCT=7181K_P=2.95432W_I=249.9mA



cd/klm

— C0 - C180 — C90 - C270

$\eta = 79\%$

NOTE: The typical divergence will be changed by different color, chip size and chip position tolerance. The typical total divergence is the full angle measured where the luminous intensity is half of the peak value.