



## Main

Commercial Status	Commercialised
Range of product	Magelis XBTR
Display resolution	122 x 32 pixels
Software type	Configuration software
Software designation	Vijeo Designer Lite
Operating system	Windows

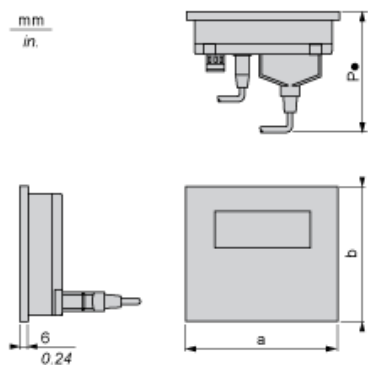
## Complementary

Display type	Matrix backlit LCD
Character font	Chinese (simplified Chinese) Cyrillic Greek Katakana Latin
Supply voltage limits	18...30 V
Residual ripple	<= 1200 mV
Power consumption	<= 5 W
Number of key	20
Number of fixed keys	8
Number of customisable keys	12
Number of pages	200 application pages 256 alarm pages
Memory type	Flash
Memory capacity	512 kB
Integrated connection type	Serial link: female SUB-D 25, asynchronous transmission mode (RS232C/ RS485) multidrop topology Power supply: removable screw terminal block
Realtime clock	Access to the PLC real-time clock
Range compatibility	Modicon M340 Modicon Momentum Modicon Premium Modicon Quantum Modicon TSX Micro Twido
Product mounting	Flush mounting
Fixing mode	By 4 spring clips
Display material	Polyester
Front material	PPT
Keypad material	Polyester
Marking	CE
Height	118 mm
Width	137 mm
Depth	39 mm
Cut-out dimensions	119.6 (+/- 0.5) x 105.2 (+/- 0.4) mm
Product weight	0.55 kg

## Environment

Product or component type	Small panel with keypad
Display colour	Green
Display capacity	1 line of 5 characters minimum 4 lines of 20 characters maximum
[Us] rated supply voltage	24 V DC
Supply	External source
Downloadable protocols	Modbus Third party protocols Uni-TE
Standards	IEC 60068-2-27 IEC 60068-2-6 IEC 61131-2 UL 508 CSA C22.2 No 14
Product certifications	ATEX zone 2/22 CSA Class 1 Division 2 UL Class 1 Division 2 UL 1604
Ambient air temperature for operation	0...55 °C
Ambient air temperature for storage	-20...60 °C
Relative humidity	0...85 % without condensation
IP degree of protection	IP65 (front panel) conforming to IEC 60529 IP20 (rear panel) conforming to IEC 60529
NEMA degree of protection	NEMA 4X (front panel) for outdoor use
Shock resistance	15 gn for 11 ms
Vibration resistance	1 gn (f = 8.45...150 Hz) +/- 3.5 mm (f = 2...8.45 Hz)

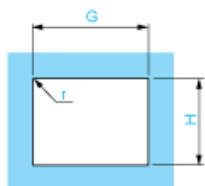
Dimensions



a		a1 (1)		b		b1 (1)		P3 (2)		P4 (3)	
mm	in.	mm	in.	mm	in.	mm	in.	mm	in.	mm	in.
137	5.39	160	6.29	118	5	146	6	58	2.28	104	4.09

- (1) With fixing clips (included with product)  
 (2) P3: depth with 25-way SUB-D angled cable XBTZ9680 (for Twido, TSX Micro and Premium) or XBTZ998 (for Modicon STB)  
 (3) P4: depth with 25-way SUB-D cable XBTZ68/Z9681 (for Twido, TSX Micro and Premium)

Cut-out for Flush Mounting



Panel thickness = 1.5..6 mm / 0.05...0.23 in.

H		G		r max.	
±0.4 mm	±0.02 in.	±0.5 mm	±0.02 in.	mm	in.
105.2	4.14	119.6	5	1.5	0.05