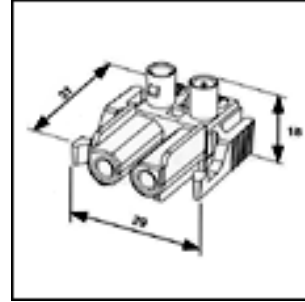


RS 380-6429

## 2-pole socket without strain-relief

For flexible and rigid wires. In connection with flexible wires use of ferrules is recommended.  
Wire cross-section: 0.75-2.5 mm<sup>2</sup>.



EAN	Art.No	Description	Colour	Pole markings
6418677109041	NAC 22.W	Socket	White	1,N