



Ordering number	C12219		
Description	1		
Family	Strada-A	FWHM	82+135 degrees
Type	Lens	Efficiency	94 %
LED	LUXEON Rebel ES	cd/lm	1.100
Color	Clear	Gerber File	Available
Diameter	19.6 +15.4 mm		
Height	10.5 mm		
Style	Rectang		
Optic Material	PMMA		
Holder Material	-		
Fastening	-		
Status	On production		

NOTE: The typical divergence will be changed by different color, chip size and chip position tolerance. The typical total divergence is the full angle measured where the luminous intensity is half of the peak value.

D

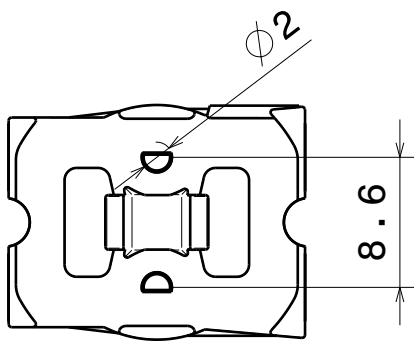
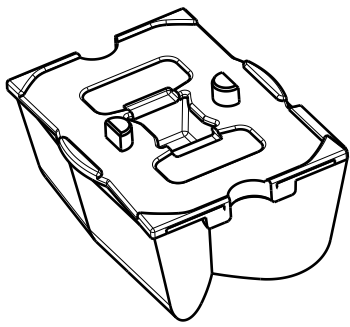
C

B

A

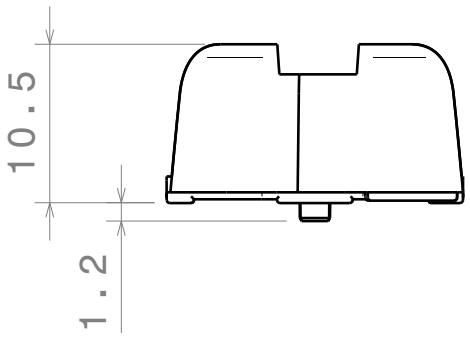
4

4



3

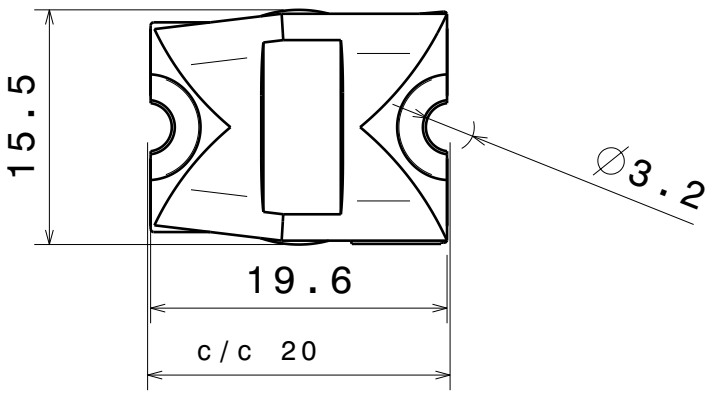
3



2

2

Material: PMMA



1

1

This drawing is our property.
It can't be reproduced
or communicated without
our written agreement.



L
T
F
F

e
e
i
i
n
n

d

DRAWING TITLE

Datasheet Strada-A2 Lens

DRAWN BY
p

DATE
05.08.2011

CHECKED BY
t k

DATE
07.07.2011

SIZE
A4

DRAWING NUMBER

REV
0.1

DESIGNED BY
hh

DATE
20.11.2008

SCALE 2:1

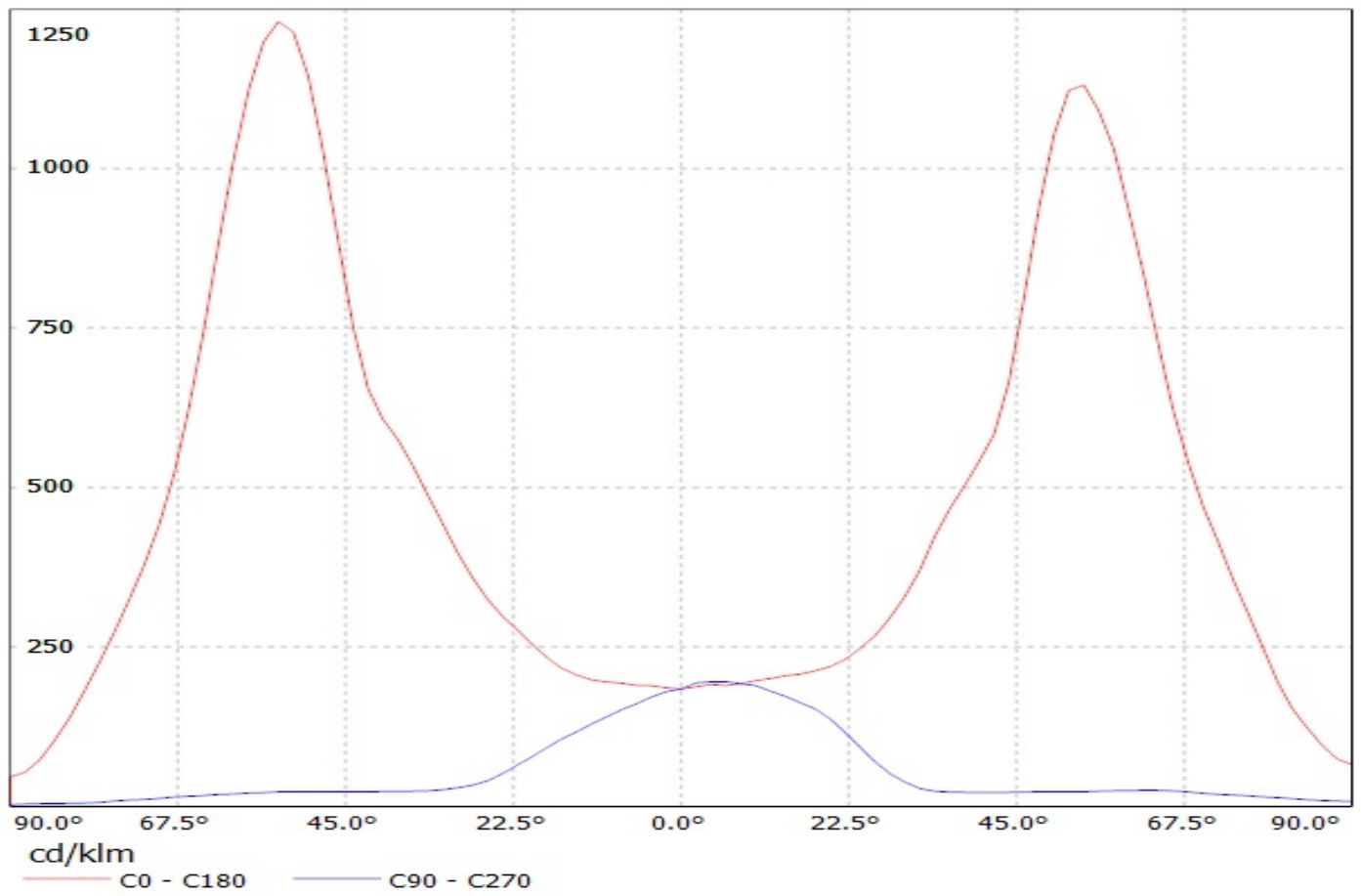
WEIGHT (g)

SHEET 1/1

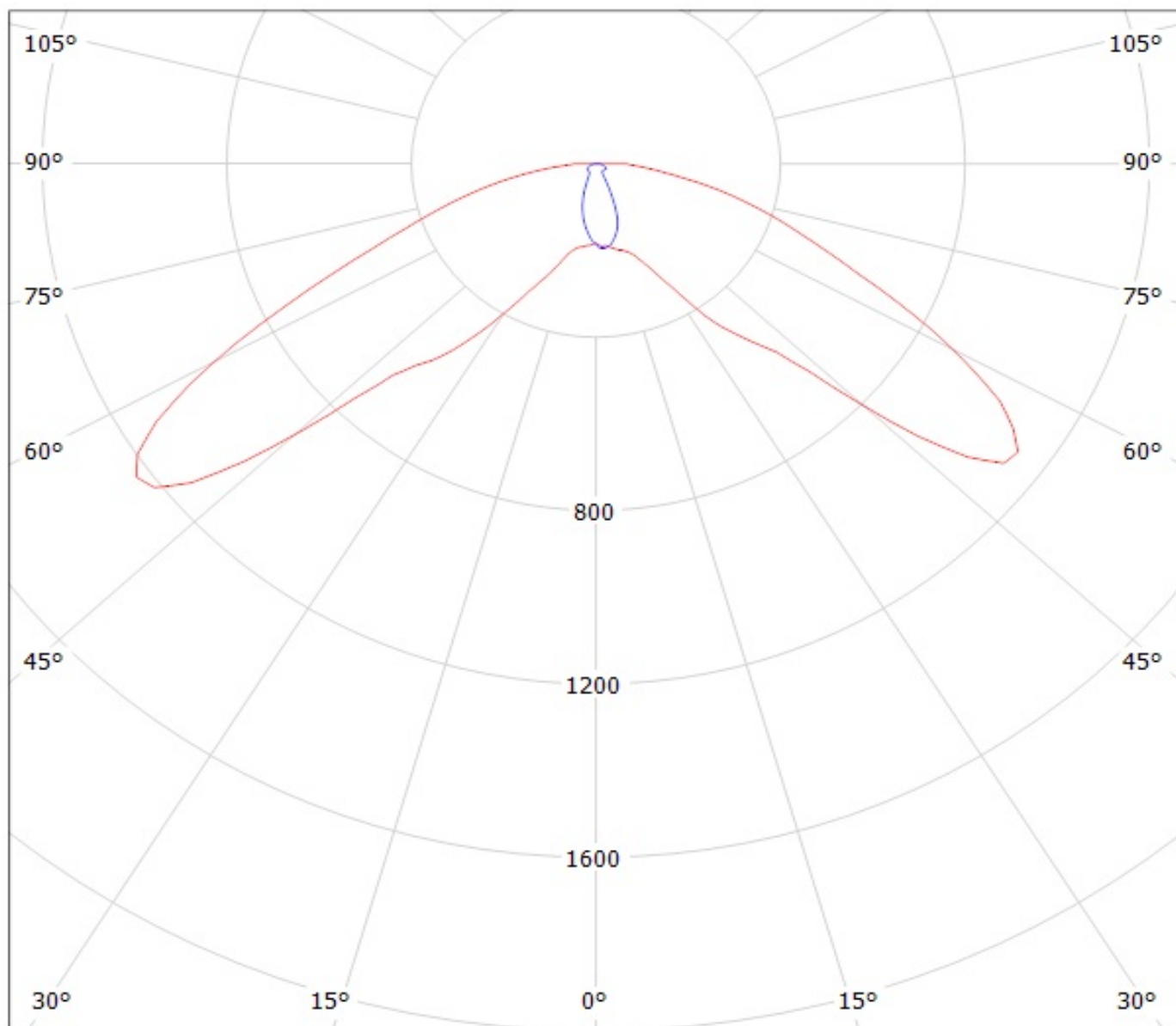
D

A

Luminaire: Ledil Oy C12219_STRADA-A2 (Luxeon Rebel-ES 92lm @ 250mA) Efficiency=94%
Lamps: 1 x Luxeon Rebel-ES 92lm @ 250mA



Luminaire: Ledil Oy C12219_STRADA-A2 (Luxeon Rebel-ES 92lm @ 250mA) Efficiency=94%
Lamps: 1 x Luxeon Rebel-ES 92lm @ 250mA



cd/klm

— C0 - C180 — C90 - C270