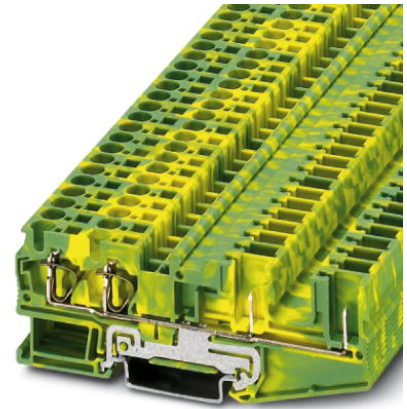


## ST 4-QUATTRO/2P-PE

Order No.: 3042858



Multiple-position spring-cage ground terminal block with double plug connection on one side, cross section: 0.08 - 4 mm<sup>2</sup>, width: 6.2 mm, color: Green-yellow

### Commercial data

EAN	4017918956202
Pack	50 Pcs.
Customs tariff	85369010
Weight/Piece	0.017384 KG
Catalog page information	Page 205 (CL-2007)

### Product notes

WEEE/RoHS-compliant since:  
01/01/2003



<http://www.download.phoenixcontact.com>  
Please note that the data given here has been taken from the online catalog. For comprehensive information and data, please refer to the user documentation. The General Terms and Conditions of Use apply to Internet downloads.

### Technical data

#### General

Number of levels	1
Number of connections	4
Color	green-yellow
Insulating material	PA

Inflammability class acc. to UL 94	V0
<b>Dimensions</b>	
Width	6.2 mm
Length	97.3 mm
Height NS 35/7,5	36.5 mm
Height NS 35/15	44 mm
<b>Technical data</b>	
Rated surge voltage	6 kV
Pollution degree	3
Surge voltage category	III
Insulating material group	I
Connection in acc. with standard	IEC 61 984
<b>Connection data</b>	
Conductor cross section solid min.	0.08 mm <sup>2</sup>
Conductor cross section solid max.	6 mm <sup>2</sup>
Conductor cross section stranded min.	0.08 mm <sup>2</sup>
Conductor cross section stranded max.	4 mm <sup>2</sup>
Conductor cross section AWG/kcmil min.	28
Conductor cross section AWG/kcmil max	10
Conductor cross section stranded, with ferrule without plastic sleeve min.	0.25 mm <sup>2</sup>
Conductor cross section stranded, with ferrule without plastic sleeve max.	4 mm <sup>2</sup>
Conductor cross section stranded, with ferrule with plastic sleeve min.	0.25 mm <sup>2</sup>
Conductor cross section stranded, with ferrule with plastic sleeve max.	4 mm <sup>2</sup>
2 conductors with same cross section, stranded, TWIN ferrules with plastic sleeve, min.	0.5 mm <sup>2</sup>
2 conductors with same cross section, stranded, TWIN ferrules with plastic sleeve, max.	1 mm <sup>2</sup>
Type of connection	Special and hybrid connection
Stripping length	10 mm
Internal cylindrical gage	A3

---

## Certificates / Approvals

### Approval logo



#### CUL

AWG/kcmil	28-10
-----------	-------

#### UL

AWG/kcmil	28-10
Certification	CUL, UL

## Accessories

Item	Designation	Description
------	-------------	-------------

### Assembly

3030815	ATP-ST QUATTRO	Partition plate, for visual and electrical separation of terminal groups, width: 2 mm, color: gray
3043747	D-ST 4-QUATTRO/2P	Cover, for spring-cage terminal block ST 4-QUATTRO/2P..., color: Gray
3043750	DS-ST 4/P	End cover segment, for covering multi-conductor terminal blocks when two-conductor terminal blocks are aligned, color: Gray
1207640	NS 35/ 7,5 PERF 755MM	NS 35 DIN rail, height 7.5 mm, length 755 mm
1207653	NS 35/ 7,5 PERF 955MM	NS35 DIN rail, height 7.5 mm, length 955 mm
1207666	NS 35/ 7,5 PERF 1155MM	NS 35 DIN rail, height 7.5 mm, length 1155 mm
1207679	NS 35/15 PERF 755MM	NS 35 DIN rail, height 15 mm, length 755 mm
1207682	NS 35/15 PERF 955MM	NS 35 DIN rail, height 15 mm, length 955 mm
1207695	NS 35/15 PERF 1155MM	NS 35 DIN rail, height 15 mm, length 1155 mm

### Bridges

3030336	FBS 2-6	Plug-in bridge for cross-connections in the terminal center, 2-pos., color: Red
3030242	FBS 3-6	Plug-in bridge for cross-connections in the terminal center, 3-pos., color: Red
3030255	FBS 4-6	Plug-in bridge for cross-connections in the terminal center, 4-pos., color: Red
3030349	FBS 5-6	Plug-in bridge for cross-connections in the terminal center, 5-pos., color: Red

3030271	FBS 10-6	Plug-in bridge for cross-connections in the terminal center, 10-pos., color: Red
3030365	FBS 20-6	Plug-in bridge for cross-connections in the terminal center, 20-pos., color: Red
3032224	FBS 50-6	Plug-in bridge for cross-connections in the terminal center, 50-pos., color: Red

#### Marking

3040588	PC	Coding for all basic terminal blocks
3030954	WST 4	Warning cover, 5-pos., for terminal width: 6.2 mm

#### Plug/Adapter

3002885	ISH 4/0,5	Cross-section range: 0.25 - 0.5 mm <sup>2</sup> / 0.75 - 1 mm <sup>2</sup>
3002898	ISH 4/1,0	Cross-section range: 0.25 - 0.5 mm <sup>2</sup> / 0.75 - 1 mm <sup>2</sup>
3030925	PAI-4	Test adapter, for 4 mm diameter test plug PS and safety test plug, makes contact in the bridge shaft
3030996	PS-6	Modular test plug, for individual assembly of test plug strips, for UT, ST, DT and QT terminal blocks, can be labeled with ZBF 6, color: Red

#### Tools

1204517	SZF 1-0,6X3,5	Screwdriver, blade: 0.6 x 3.5 x 100 mm, length 180 mm
---------	---------------	---

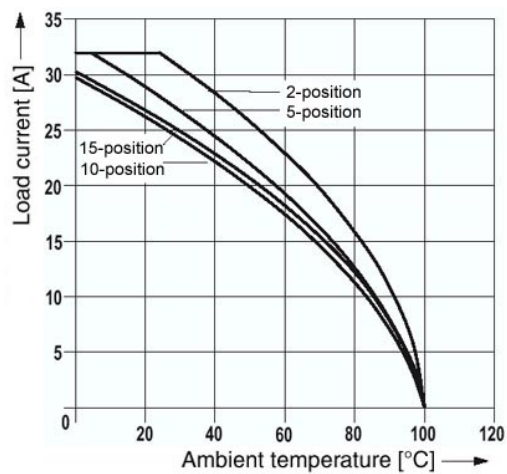
#### Additional products

Item	Designation	Description
<b>Plug/Adapter</b>		
3042751	SP 4/ 1-L	Connector with spring-cage connection for self-assembly, left element; cross section: 0.08 - 0.4 mm <sup>2</sup> , width: 6.2 mm, color: Gray
3042764	SP 4/ 1-L BU	Connector with spring-cage connection for self-assembly, left element; cross section: 0.08 - 0.4 mm <sup>2</sup> , width: 6.2 mm, color: Blue
3042777	SP 4/ 1-L GNYE	Connector with spring-cage connection for self-assembly, left element; cross section: 0.08 - 0.4 mm <sup>2</sup> , width: 6.2 mm, color: Green-yellow
3042780	SP 4/ 1-M	Connector with spring-cage connection for self-assembly, middle element; cross section: 0.08 - 0.4 mm <sup>2</sup> , width: 6.2 mm, color: Gray
3042793	SP 4/ 1-M BU	Connector with spring-cage connection for self-assembly, middle element; cross section: 0.08 - 0.4 mm <sup>2</sup> , width: 6.2 mm, color: Blue
3042803	SP 4/ 1-M GNYE	Connector with spring-cage connection for self-assembly, middle element; cross section: 0.08 - 0.4 mm <sup>2</sup> , width: 6.2 mm, color: Green-yellow
3042816	SP 4/ 1-R	Connector with spring-cage connection for self-assembly, right element; cross section: 0.08 - 0.4 mm <sup>2</sup> , width: 6.2 mm, color: Gray

3042829	SP 4/ 1-R BU	Connector with spring-cage connection for self-assembly, right element; cross section: 0.08 - 0.4 mm <sup>2</sup> , width: 6.2 mm, color: Blue
3042832	SP 4/ 1-R GNYE	Connector with spring-cage connection for self-assembly, right element; cross section: 0.08 - 0.4 mm <sup>2</sup> , width: 6.2 mm, color: Green-yellow

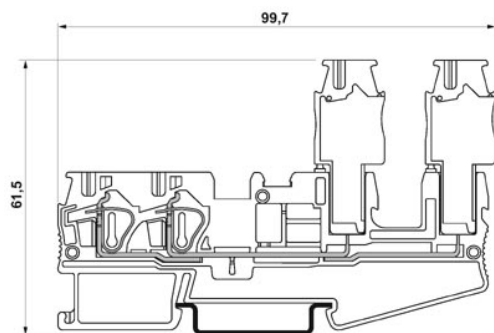
## Drawings

### Diagram



Applies to all male connector variants SP...

### Dimensioned drawing



The illustration shows the terminal with the plug version SP 4/...

### Circuit diagram

