

Product Information



9958FTP200P65

EAN 4031582316964

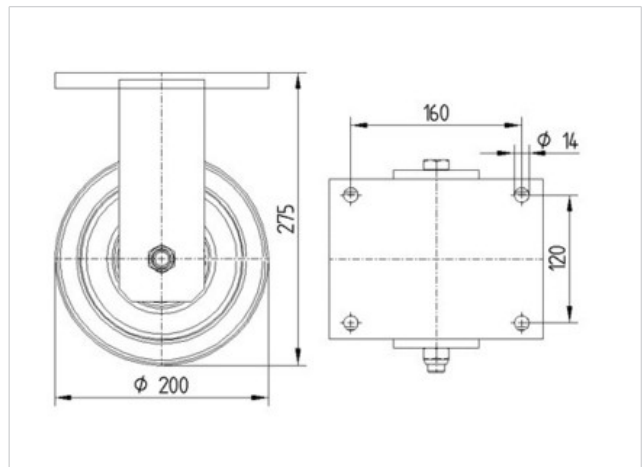
Fixed castor, Fork and plate steel welded, zinc plated, blue passivated, wheel axle with nut, plate fitting.

Wheel centre made of cast iron, Tread: Polyurethane, casted, precision ball bearing

Technical Data

| | |
|------------------------|----------------|
| Wheel diameter | 200 mm |
| Width of Tread | 50 mm |
| Size of Plate | 200 x 160 mm |
| Plate hole centres | 160 x 120 mm |
| Plate hole | 15 mm |
| Overall height | 275 mm |
| Temperature | - 20 / + 60 °C |
| Standard | EN 12533 |
| Weight | 15.768 kg |
| Hardness of tread | A 92 Shore |
| Load capacity | 2000 kg |
| Load capacity (static) | 4000 kg |

| | | | | | |
|----------------------|---|---|---|---|---|
| Roll performance | + | + | + | + | + |
| Movement noise | + | + | + | + | + |
| Attrition | + | + | + | + | + |
| Corrosion resistance | + | + | + | + | + |



Product Information



9958FTP200P65

EAN 4031582316964

