

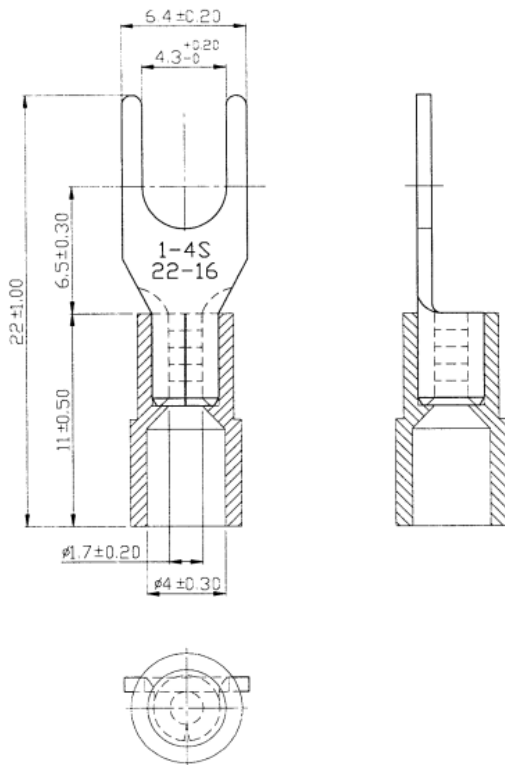


Datasheet

ENGLISH

RS Insulated Crimp Spade Connector, 22 → 16 AWG, M4, Red Vinyl

RS Stock number [613-9479](#)



Specifications

- Maximum Electrical Rating: 75 °C 600 Volts Max
- Insulation Material: Vinyl
- Insulation Colour: Red
- Terminal Material: Copper
- Wire Range: 22-16 AWG (0.5-1.5 mm²)
- Terminal Surface Treatment: Tin Plated
- Terminal Thickness: 0.75mm