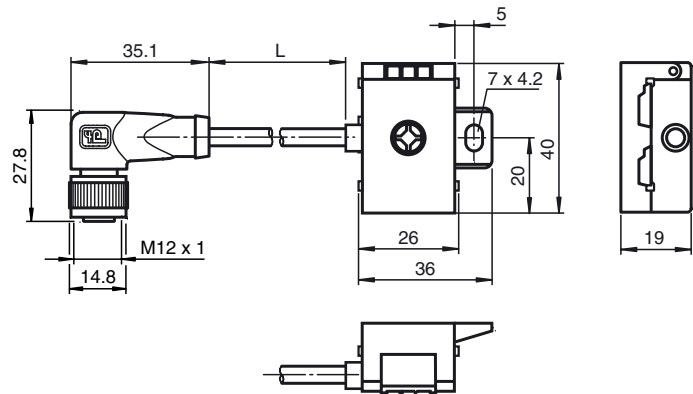




## Dimensions



## Model Number

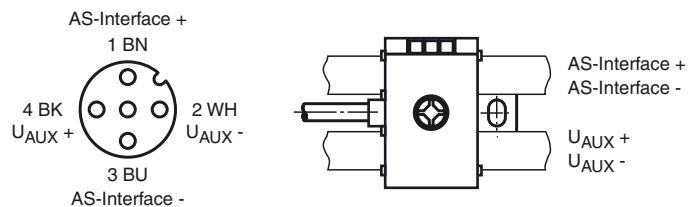
### VAZ-2T1-FK-2M-PUR-V1-W

Splitter box AS-Interface and auxiliary voltage to 1 x M12 round connector

## Features

- Compact design
- Fixing component with captive screw
- Simple and fast mounting
- Gold plated contacts
- Housing made of fibre optics-reinforced plastic
- Oil and abrasion resistant PUR line appropriate for conveyor chains
- Immunity to vibration
- Reverse polarity protected and yellow marking for AS-Interface flat cable

## Electrical connection



## Technical data

### General specifications

Construction type	Socket, angled Flat cable terminals AS-Interface/ext. auxiliary voltage
-------------------	--

### Electrical specifications

Rated operational voltage	$U_e \leq 35 \text{ V PELV}$ ( AS-Interface , $U_{AUX}$ )
Rated operational current	$I_e \leq 4 \text{ A}$
Overvoltage protection	$U_{aux}$ , $U_{in}$ : Over voltage category III, safe isolated power supplies (PELV)
Pulse withstand voltage	500 V

### Electrical isolation

AUX/AS-Interface	safe isolation, Rated insulation voltage 40 V DC
------------------	--

### Ambient conditions

Ambient temperature	-25 ... 75 °C (248 ... 348 K)
Storage temperature	-25 ... 85 °C (248 ... 358 K)
Degree of soiling	3

### Mechanical specifications

Protection degree	IP67 / IP68 / IP69K
Connection	AS-Interface flat cable: Insulation penetration technology Flat cable ext. auxiliary voltage $U_{AUX}$ : Insulation penetration technology Plug connection: M12 socket x 1 (V1)

### Material

Housing	PA 66-GF25 Ultramid
Handle	PUR, black
Cable	PUR

### Cable

Sheath diameter	$\varnothing 4.8 \text{ mm}$
Colour	grey
Cores	$4 \times 0.34 \text{ mm}^2$
Length	L 2 m
Mass	90 g
Tightening torque, fixing screws	1.65 Nm

### Compliance with standards and directives

Standard conformity	
Protection degree	EN 60529