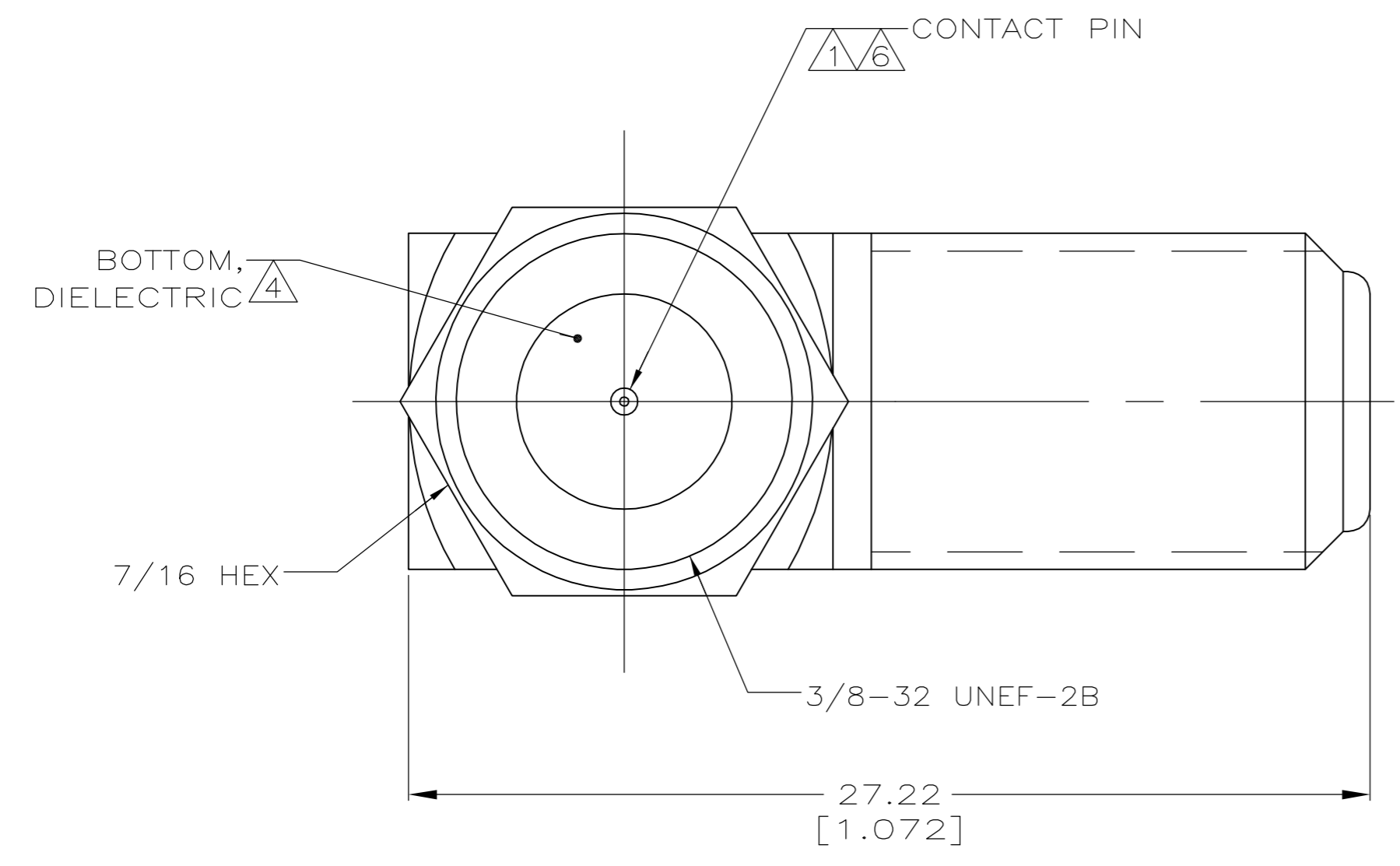
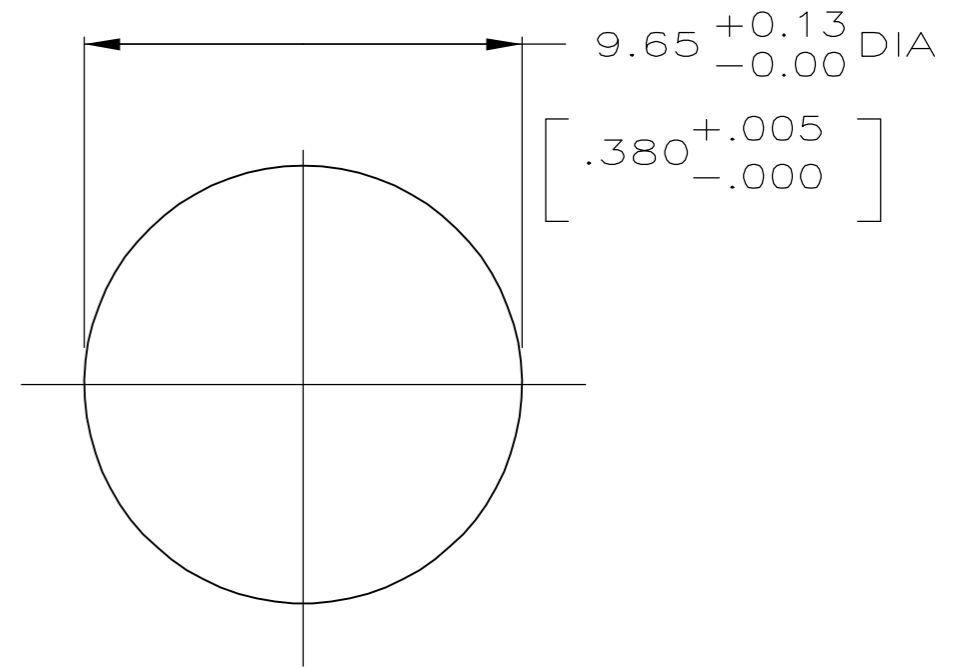
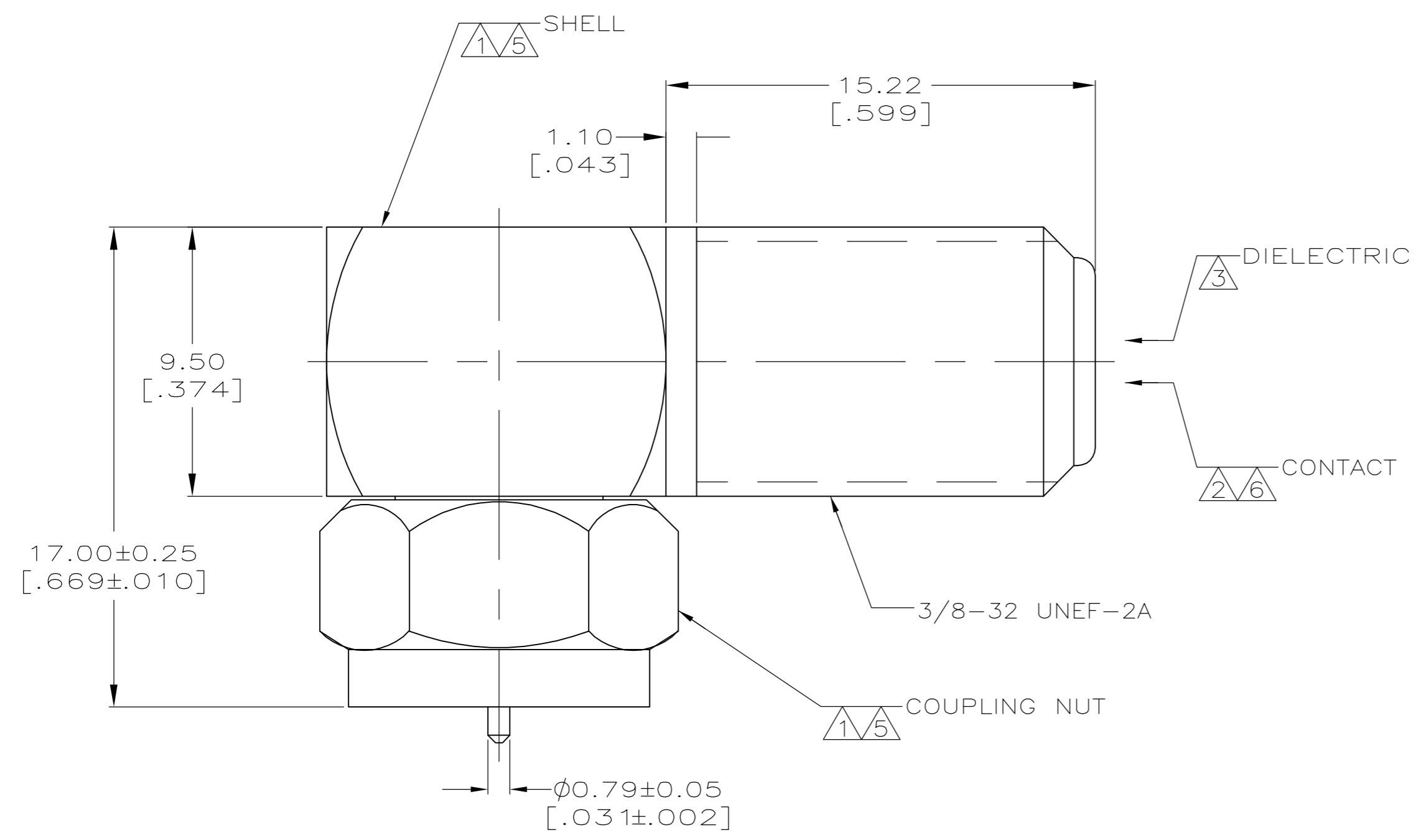


THIS DRAWING IS UNPUBLISHED. RELEASED FOR PUBLICATION
 © COPYRIGHT BY TYCO ELECTRONICS CORPORATION. ALL RIGHTS RESERVED.

LOC	DIST	REVISIONS			
P	LTR	DESCRIPTION	DATE	DWN	APVD
AJ	00	A	REV PER ECO 06-016786	1/23/2007	DW KW



- 1 BRASS.
- 2 PHOSPHOR BRONZE.
- 3 POLYPROPYLENE, GENERAL PURPOSE
- 4 PTFE.
- 5 NICKEL PLATE 2.54 μm [.000100] MINIMUM THICK.
- 6 TIN PLATE 2.54 μm [.000100] MINIMUM THICK.
- 7. CONNECTOR WILL ACCEPT CENTER CONDUCTOR DIAMETER RANGE OF 0.51 [.020]–1.19 [.047]

5887089-1
 PART NO

THIS DRAWING IS A CONTROLLED DOCUMENT.		DWN L. VARELA - DOCK5 01FEB2005	Tyco Electronics Corporation Harrisburg, PA 17105-3608	
DIMENSIONS: mm [INCHES]		CHK J. HAVENER 01FEB2005		
TOLERANCES UNLESS OTHERWISE SPECIFIED:		APVD K. WEIDNER 01FEB2005	NAME JACK TO PLUG, R/A, F SERIES	
0 PLC ± -		PRODUCT SPEC 108-1755	RESTRICTED TO	
1 PLC ± -		APPLICATION SPEC	SIZE A2	CAGE CODE 00779
2 PLC ± 0.20 [.008]		WEIGHT -	DRAWING NO C=5887089	SHEET 1 of 1
3 PLC ± -		CUSTOMER DRAWING	SCALE 6:1	REV A
4 PLC ± -				
ANGLES ± -				
FINISH				
SEE NOTES 1-4		SEE NOTES 5 & 6		