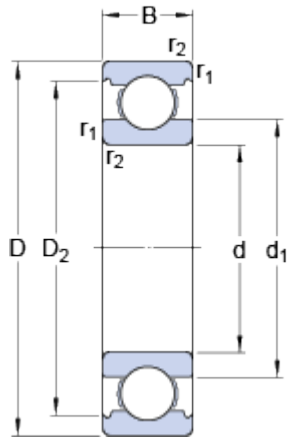


# 6000

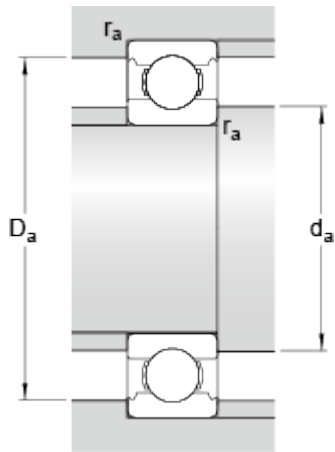
SKF Explorer

## Dimensions



$d$		10	mm
$D$		26	mm
$B$		8	mm
$d_1$	≈	14.8	mm
$D_2$	≈	22.6	mm
$r_{1,2}$	min.	0.3	mm

## Abutment dimensions



$d_a$	min.	12	mm
$D_a$	max.	24	mm
$r_a$	max.	0.3	mm

## Calculation data

Basic dynamic load rating	$C$	4.8	kN
Basic static load rating	$C_0$	2	kN
Fatigue load limit	$P_u$	0.083	kN
Reference speed		67000	r/min
Limiting speed		40000	r/min
Calculation factor	$k_r$	0.025	
Calculation factor	$f_0$	12	

## Mass

Mass bearing		0.0185	kg
--------------	--	--------	----