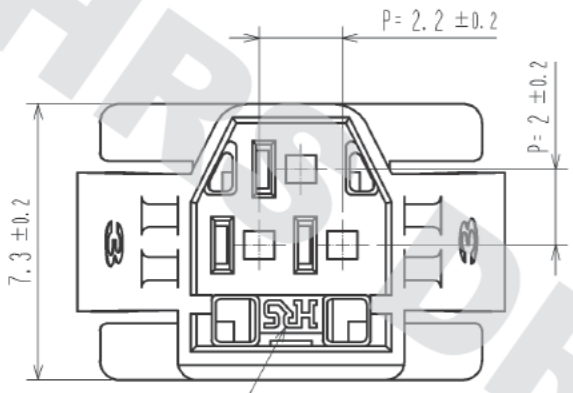
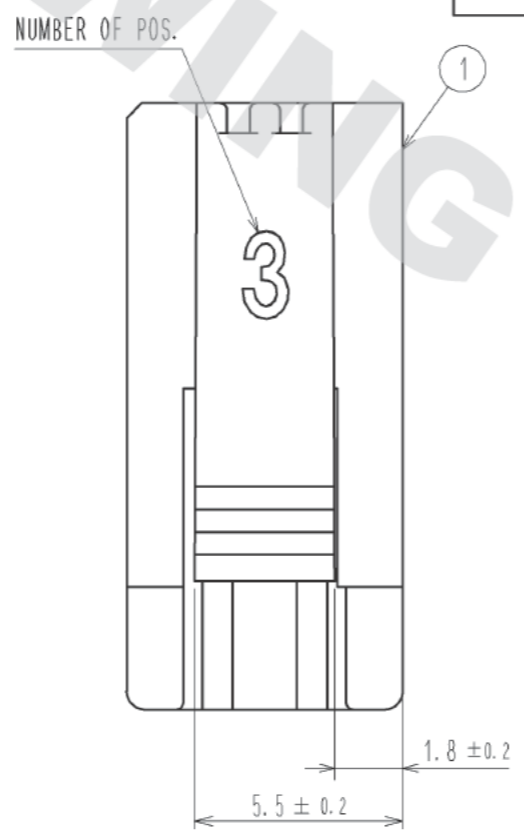
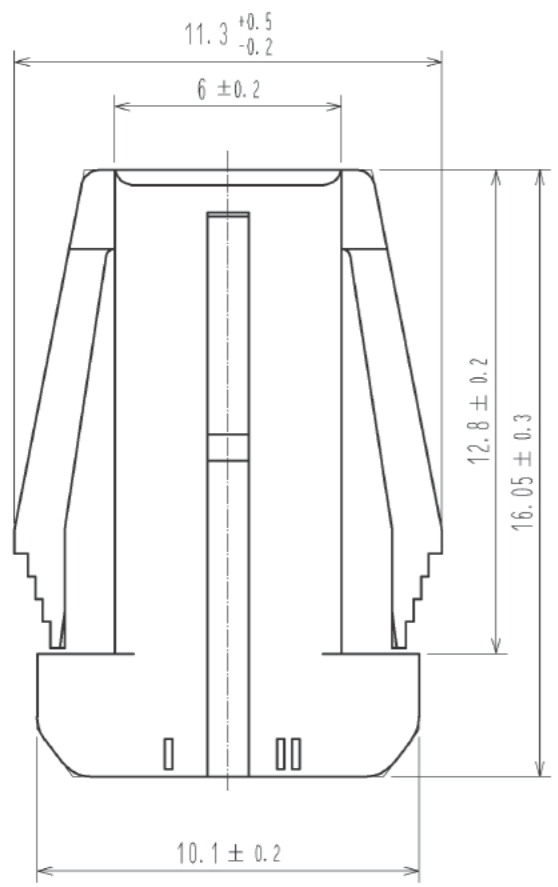
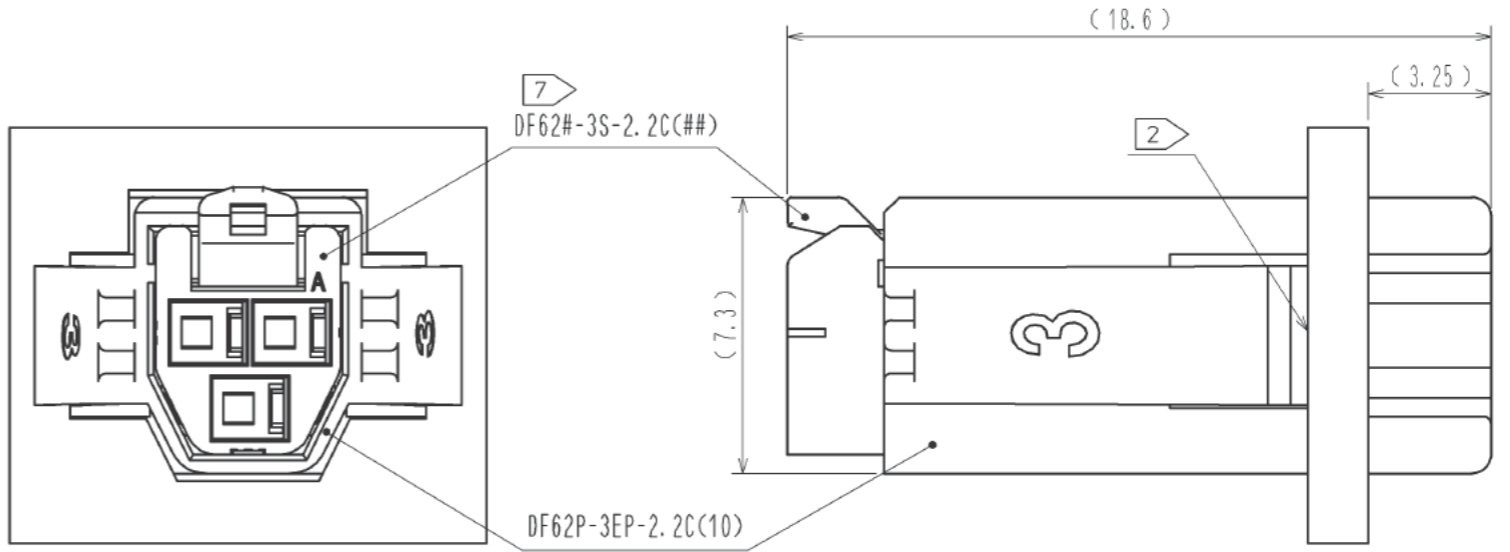


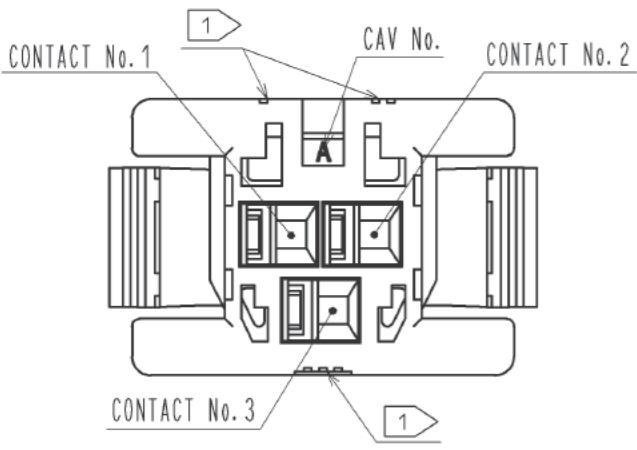
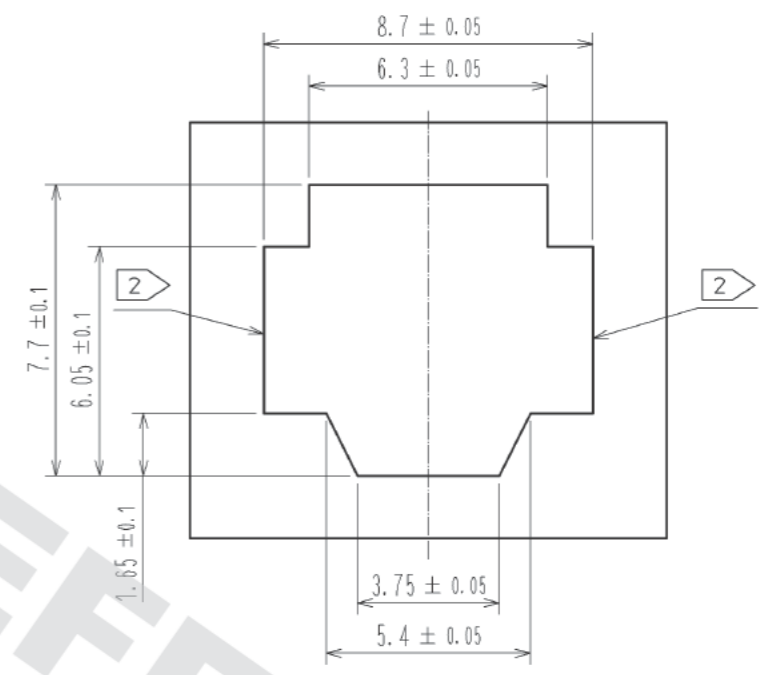
DRAWING FOR REFERENCE: This is subject to change without notice  
05/31/2014



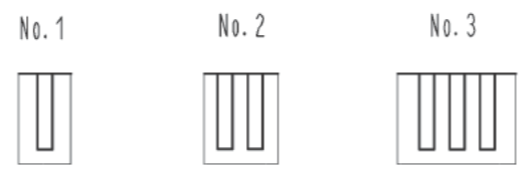
7 MATING FIGURE (PANEL MOUNTED)



3 4 RECOMMENDED PANEL CUTOUT DIMENSION



1 FIGURE-1 CONTACT No. MARKING (10:1)



- NOTE.
- 1 MARKINGS AT THE INDICATED POSITIONS ARE CONTACT NO. MARKING. AND SHAPES ARE SHOWN IN FIGURE-1.
  - 2 PLEASE USE THE NON-RADIUS SIDE FOR THE PANEL HOOKING AREA.
  - 3 APPLICABLE PANEL THICKNESS IS 2.3 TO 0.5mm.
  - 4 CONSULT HIROSE FOR THE OTHER PANEL CUTOUT DESIGNS THAN THE RECOMMENDED ONE.
  5. PER PACK : 100 PIECES.
  6. THE DIMENSIONS IN PARENTHESIS ARE FOR REFERENCE.
  - 7 THIS FIGURE SHOWS THE MATED CONDITION WITH DF62B-3S-2.2C.

NO.		MATERIAL		FINISH . REMARKS		1	PBT	UL94V-0<WHITE>
UNITS mm		SCALE 5 : 1		COUNT		DESIGNED		CHECKED
APPROVED : KI. AKIYAMA		14.03.10		DRAWING NO.		EDC3-349136-01		
CHECKED : HK. UMEHARA		14.03.10		PART NO.		DF62P-3EP-2.2C(10)		
DESIGNED : TS. KUMAZAWA		14.03.07		CODE NO.		CL544-0544-4-10		
DRAWN : TS. KUMAZAWA		14.03.07						1/1