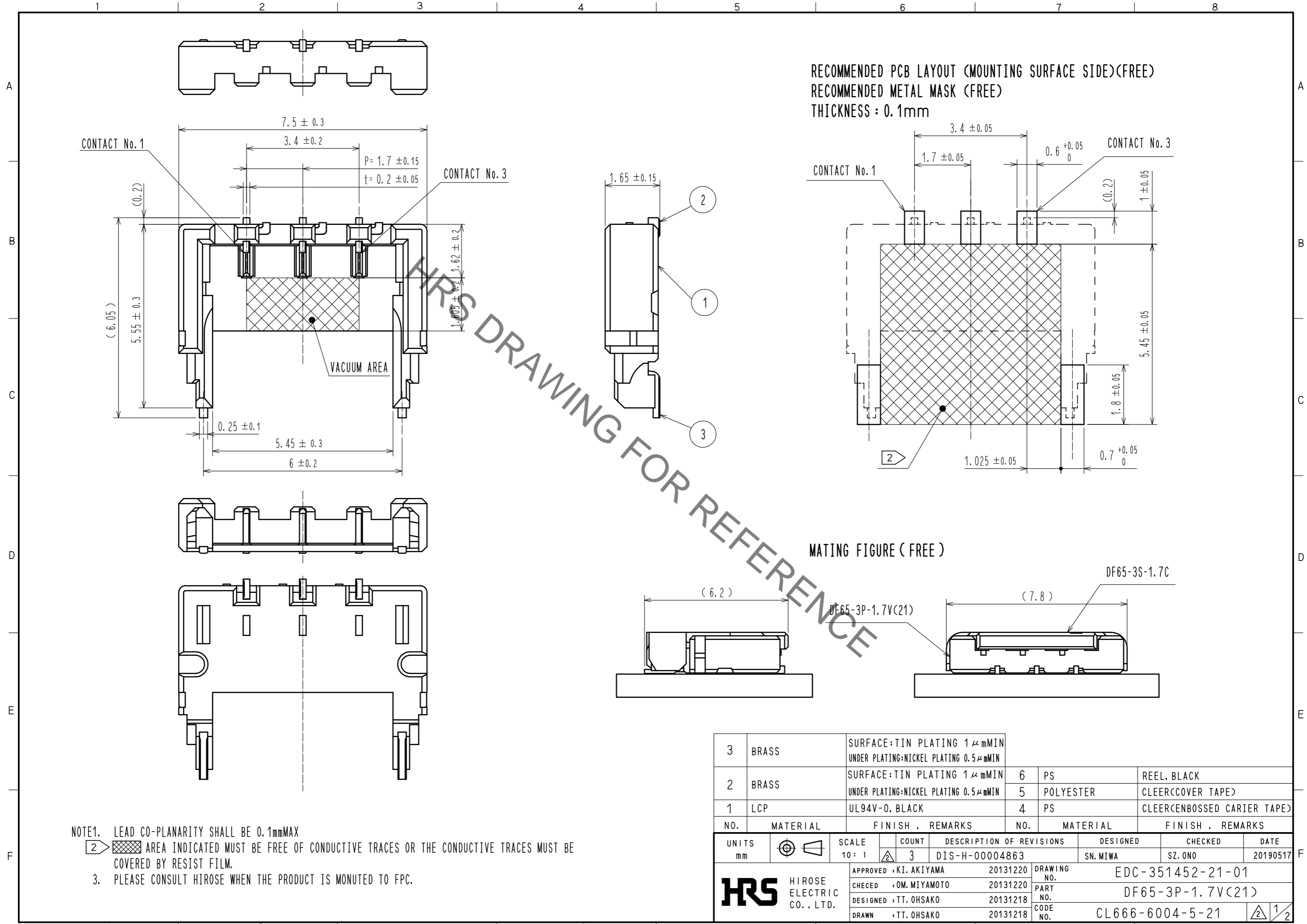


Sep.1.2019 Copyright 2019 HIROSE ELECTRIC CO., LTD. All Rights Reserved.
In case of consideration for using Automotive equipment / device which demand high reliability, kindly contact our sales window correspondents.



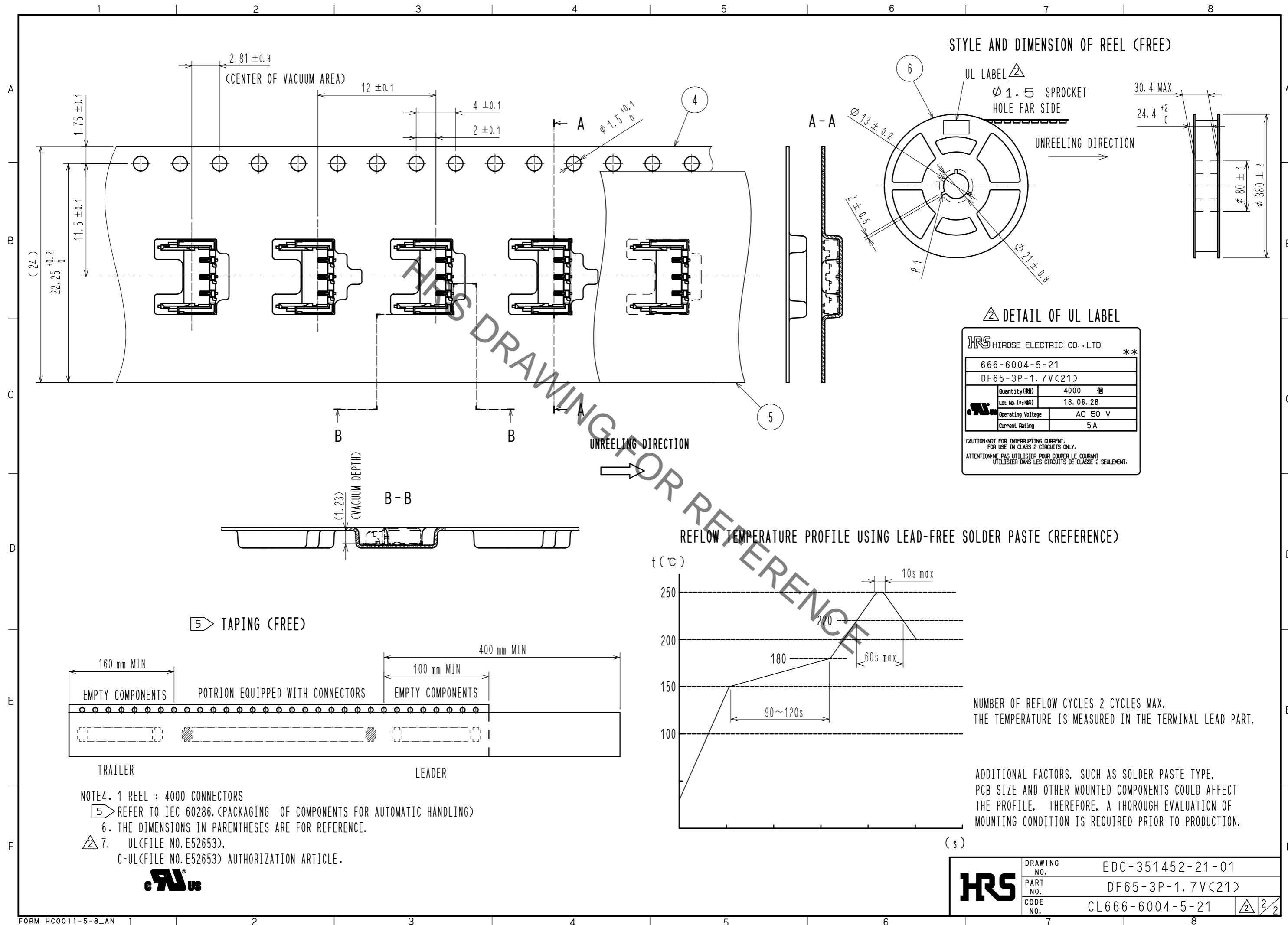
RECOMMENDED PCB LAYOUT (MOUNTING SURFACE SIDE)(FREE)
RECOMMENDED METAL MASK (FREE)
THICKNESS : 0.1mm

MATING FIGURE (FREE)

NOTE1. LEAD CO-PLANARITY SHALL BE 0.1mmMAX
 2. AREA INDICATED MUST BE FREE OF CONDUCTIVE TRACES OR THE CONDUCTIVE TRACES MUST BE COVERED BY RESIST FILM.
 3. PLEASE CONSULT HIROSE WHEN THE PRODUCT IS MOUNTED TO FPC.

3	BRASS	SURFACE:TIN PLATING 1μmMIN UNDER PLATING:NICKEL PLATING 0.5μmMIN			
2	BRASS	SURFACE:TIN PLATING 1μmMIN UNDER PLATING:NICKEL PLATING 0.5μmMIN	6	PS	REEL. BLACK
1	LCP	UL94V-0. BLACK	5	POLYESTER	CLEER(COVER TAPE)
			4	PS	CLEER(CENBOSSED CARRIER TAPE)
NO.	MATERIAL	FINISH . REMARKS	NO.	MATERIAL	FINISH . REMARKS
UNITS		SCALE	COUNT	DESCRIPTION OF REVISIONS	
mm		10 : 1	3	DIS-H-00004863	
APPROVED : KI. AKIYAMA		20131220	DRAWING NO. EDC-351452-21-01		
CHECKED : OM. MIYAMOTO		20131220	PART NO. DF65-3P-1.7V(21)		
DESIGNED : TT. OHSAKO		20131218	CODE NO. CL666-6004-5-21		
DRAWN : TT. OHSAKO		20131218			

Sep.1.2019 Copyright 2019 HIROSE ELECTRIC CO., LTD. All Rights Reserved.
 In case of consideration for using Automotive equipment / device which demand high reliability, kindly contact our sales window correspondents.



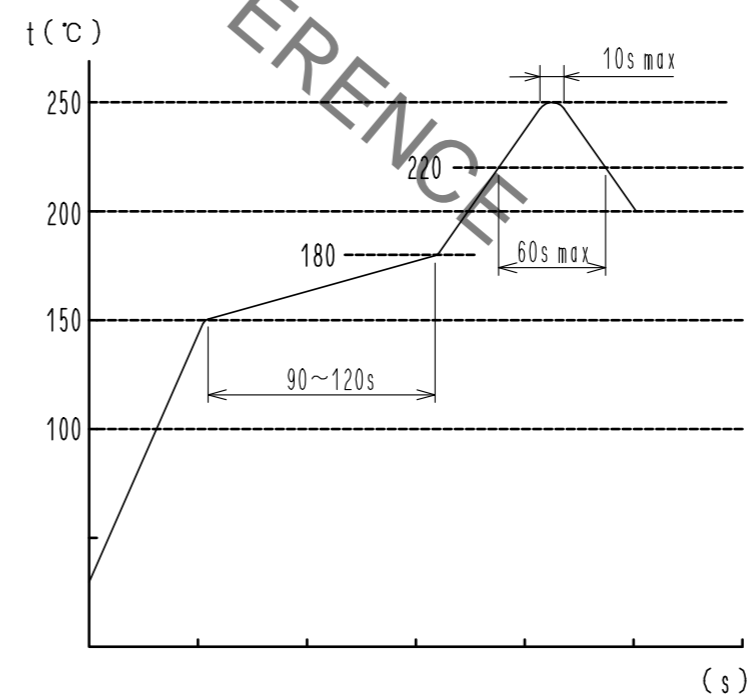
STYLE AND DIMENSION OF REEL (FREE)

DETAIL OF UL LABEL

HRS HIROSE ELECTRIC CO. · LTD	
666-6004-5-21	
DF65-3P-1.7V<21>	
Quantity (個)	4000 個
Lot No. (年月日)	18.06.28
Operating Voltage	AC 50 V
Current Rating	5 A

CAUTION: NOT FOR INTERRUPTING CURRENT.
 FOR USE IN CLASS 2 CIRCUITS ONLY.
 ATTENTION: NE PAS UTILISER POUR COUPER LE COURANT
 UTILISER DANS LES CIRCUITS DE CLASSE 2 SEULEMENT.

REFLOW TEMPERATURE PROFILE USING LEAD-FREE SOLDER PASTE (REFERENCE)



NUMBER OF REFLOW CYCLES 2 CYCLES MAX.
 THE TEMPERATURE IS MEASURED IN THE TERMINAL LEAD PART.

ADDITIONAL FACTORS, SUCH AS SOLDER PASTE TYPE,
 PCB SIZE AND OTHER MOUNTED COMPONENTS COULD AFFECT
 THE PROFILE. THEREFORE, A THOROUGH EVALUATION OF
 MOUNTING CONDITION IS REQUIRED PRIOR TO PRODUCTION.

- NOTE 4. 1 REEL : 4000 CONNECTORS
 5 REFER TO IEC 60286. (PACKAGING OF COMPONENTS FOR AUTOMATIC HANDLING)
 6. THE DIMENSIONS IN PARENTHESES ARE FOR REFERENCE.
 7. UL (FILE NO. E52653).
 C-UL (FILE NO. E52653) AUTHORIZATION ARTICLE.



HRS	DRAWING NO.	EDC-351452-21-01
	PART NO.	DF65-3P-1.7V<21>
	CODE NO.	CL666-6004-5-21
		2/2