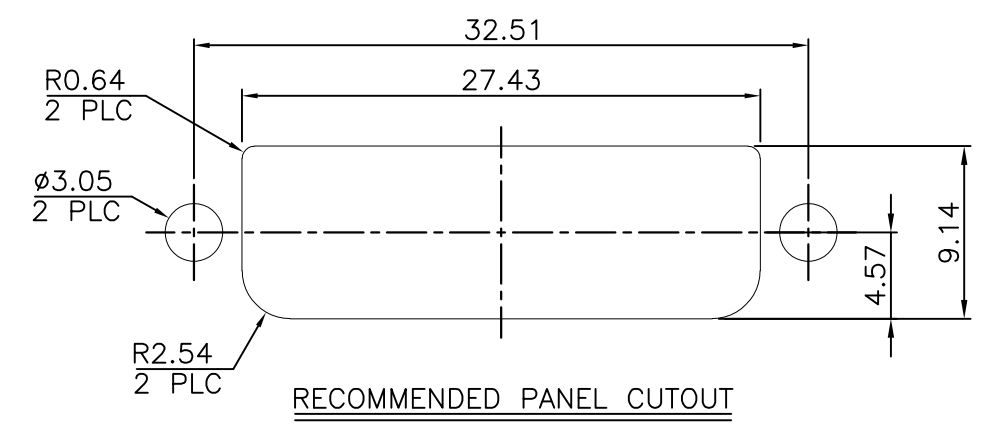
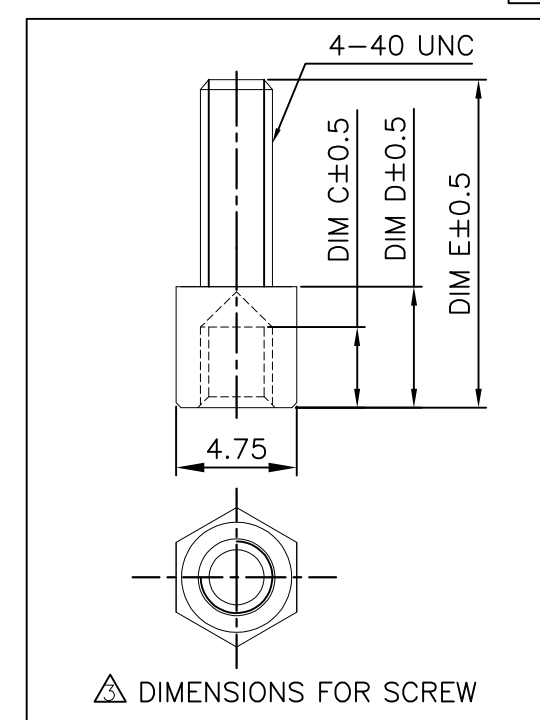
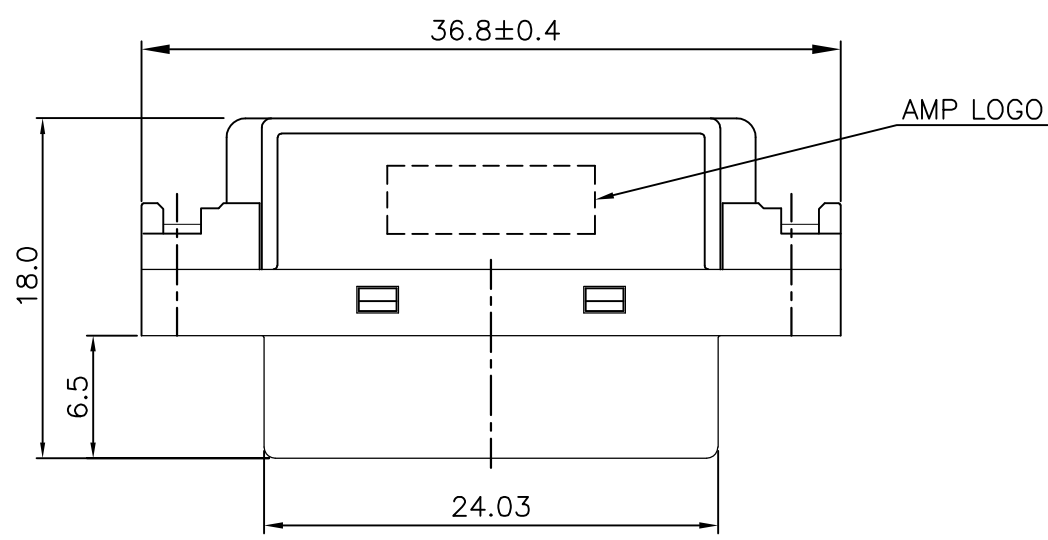


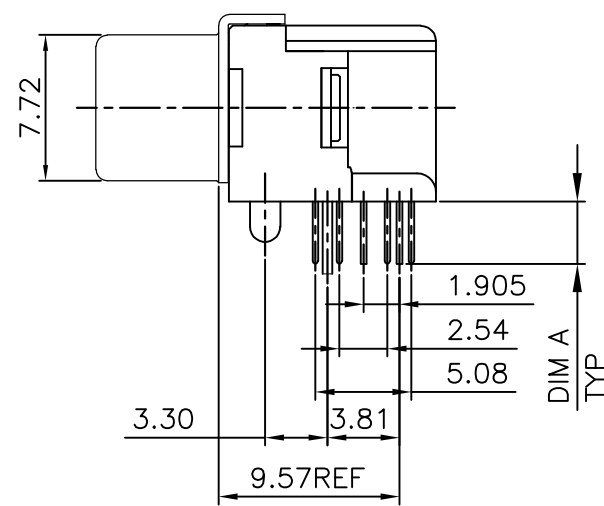
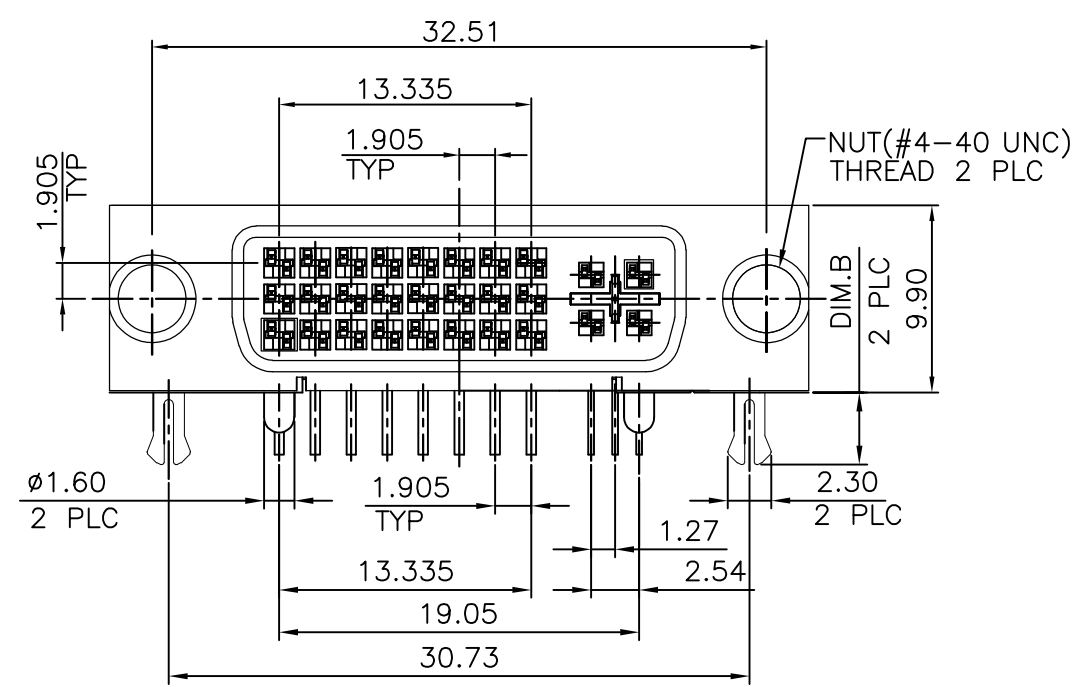
THIS DRAWING IS UNPUBLISHED. RELEASED FOR PUBLICATION  
 © COPYRIGHT BY ALL RIGHTS RESERVED.

LOC DW  
 DIST

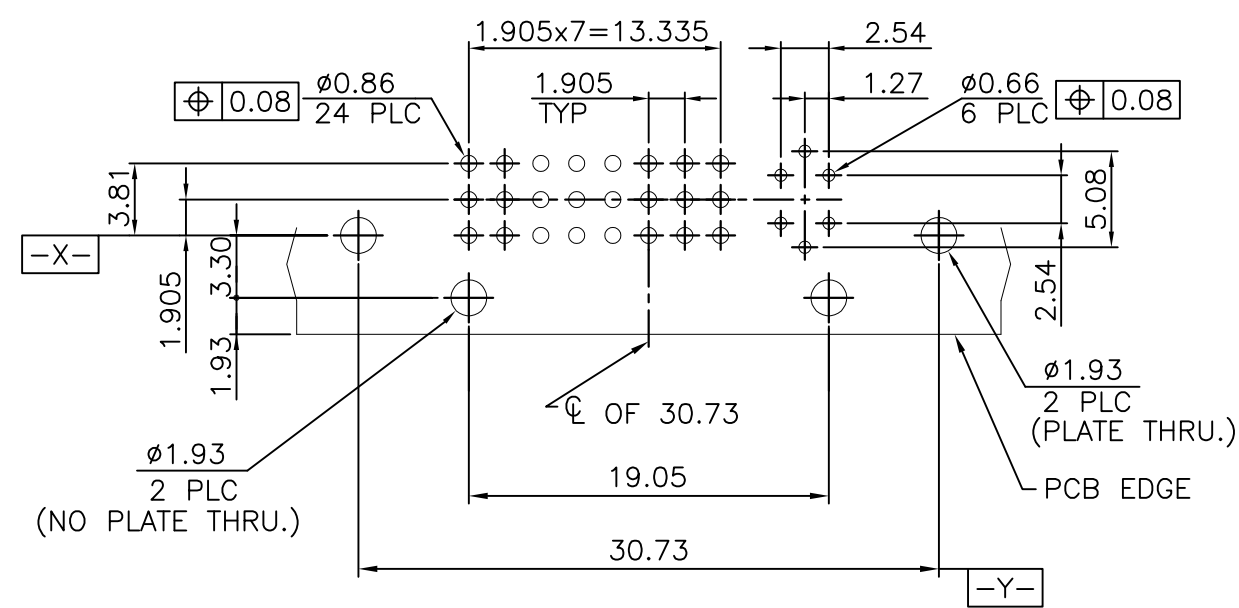
REVISIONS					
P	LTR	DESCRIPTION	DATE	DWN	APVD
	C2	REVISED PER ECO-11-005301	07MAR11	RK	HMR



- NOTE:
- MATERIAL:  
 HOUSING: SPS WITH 30% GF, UL 94V-0, WHITE COLOR.  
 SPACER: SPS WITH 30% GF, UL 94V-0, NATURE COLOR.  
 CONTACTS: PHOSPHOR BRONZE.  
 SHELL: SPCC  
 NUTS AND BOARDLOCKS: BRASS.
  - FINISH:  
 CONTACTS: (SEE TABLE) GOLD PLATED ON CONTACT AREA, 2.54mm [100µm] MIN. TIN PLATED ON SOLDER TAIL, WITH ENTIRE CONTACT UNDERPLATED 1.27mm [50µm] MIN. NICKEL.  
 SHELL: 1.27mm [50µm] MIN. NICKEL PLATED.  
 NUTS: 1.27mm [50µm] NICKEL PLATED.  
 BOARDLOCKS: 2.54mm [100µm] MIN. TIN PLATED OVER 1.27mm [50µm] MIN. NICKEL UNDERPLATED OVERALL.
- #4-40 UNC SCREW. MATERIAL: BRASS. PLATING: 1.27mm [50µm] MIN. NICKEL PLATED OVERALL. SCREW SEPARATELY PACKED.
  - OBsolete PARTS: OBSOLETE CIS STREAMLINING PER D.RENAUD/D.SINISI



	11.8	4.8	3.2	2.50	3.30			
5 OBSOLETE	13.0	6.0	4.4			W/	GOLD FLASH	3-1734148-1
	13.0	6.0	4.4			W/	GOLD FLASH	2-1734148-1
	13.0	6.0	4.4			W/	0.76µm[30µm]	1-1734148-3
	13.0	6.0	4.4			W/	0.254µm[10µm]	1-1734148-2
				2.50	2.34	W/	GOLD FLASH	1-1734148-1
						W/O	0.76µm[30µm]	1734148-3
						W/O	0.254µm[10µm]	1734148-2
						W/O	GOLD FLASH	1734148-1
	DIM E	DIM D	DIM C	DIM B	DIM A	5 SCREW	GOLD PLATED	PART NUMBER



THIS DRAWING IS A CONTROLLED DOCUMENT.

DIMENSIONS: MM	TOLERANCES UNLESS OTHERWISE SPECIFIED:
0 PLC ± -	1 PLC ± 0.35
1 PLC ± 0.35	2 PLC ± 0.25
2 PLC ± 0.25	3 PLC ± 0.15
3 PLC ± 0.15	4 PLC ± -
4 PLC ± -	ANGLES ± 1°
FINISH	SEE NOTE
MATERIAL	SEE NOTE

THIS DRAWING IS A CONTROLLED DOCUMENT.

DWN S. CHIEN 05MAR2008  
 CHK S. HOU 05MAR2008  
 APVD W. KODAMA 05MAR2008

TE Connectivity

NAME: DVI-I ANALOG & DIGITAL CONN., RCPT. RIGHT-ANGLE

PRODUCT SPEC: 108-1941

APPLICATION SPEC

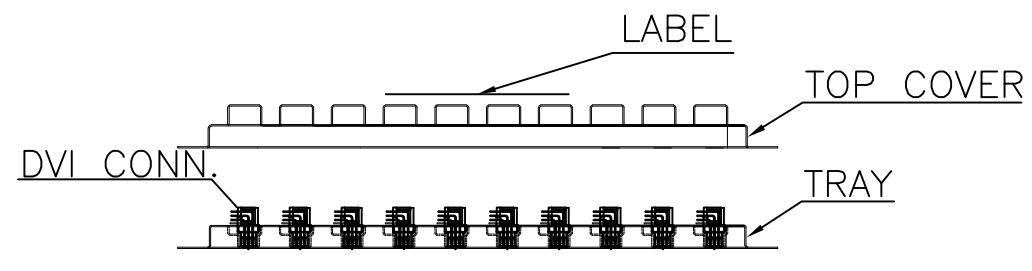
WEIGHT: 10g

SIZE: A3 CAGE CODE: 00779 DRAWING NO: C=1734148 RESTRICTED TO: -

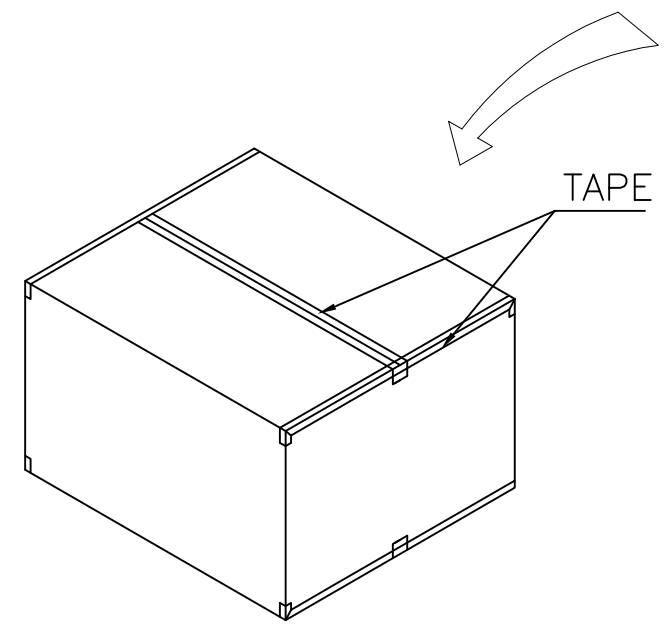
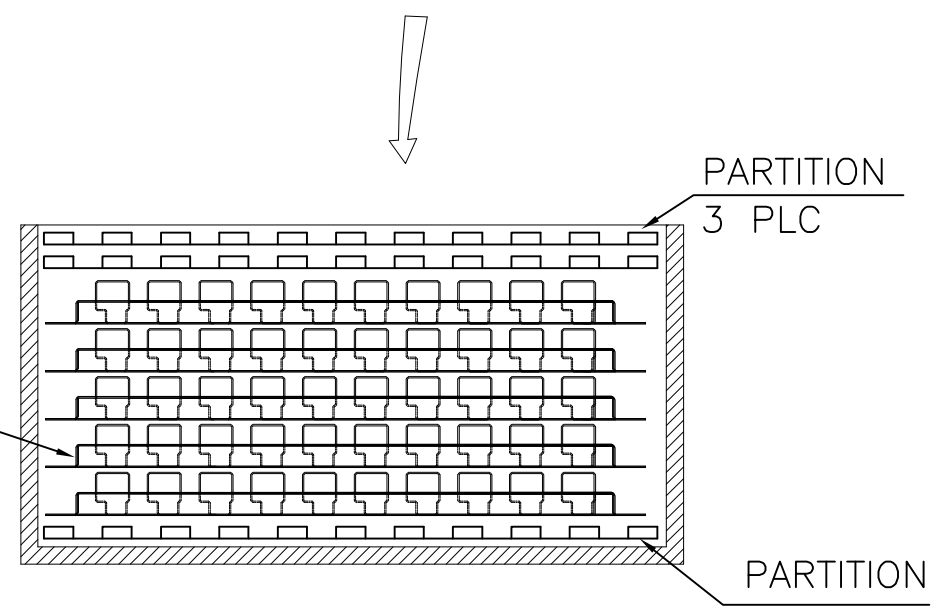
CUSTOMER DRAWING SCALE: - SHEET: 1 OF 2 REV: C2

THIS DRAWING IS UNPUBLISHED.      RELEASED FOR PUBLICATION      - . - .  
 © COPYRIGHT - BY -      ALL RIGHTS RESERVED.

LOC DW	DIST /	REVISIONS			
P	LTR	DESCRIPTION	DATE	DWN	APVD
	-	SEE SHEET 1.	-	-	-



18.1	275	340	TOP COVER
10.5	275	340	TRAY
146	278	340	BOX
H	W	L	SIZE PACK



4.43 Kg	3.50 Kg	70	5	350 PCS
GROSS WEIGHT	NET WEIGHT	PCS/TRAY	TRAYS /BOX	QUANTITY

THIS DRAWING IS A CONTROLLED DOCUMENT.		DWN	<b>STE</b> TE Connectivity		
DIMENSIONS: MM		CHK			
TOLERANCES UNLESS OTHERWISE SPECIFIED:		APVD	NAME		
0 PLC ± -		PRODUCT SPEC	DVI-I ANALOG & DIGITAL CONN., RCPT. RIGHT-ANGLE		
1 PLC ± -		APPLICATION SPEC	SIZE	CAGE CODE	DRAWING NO
2 PLC ± -		WEIGHT	A3	00779	C=1734148
3 PLC ± -		CUSTOMER DRAWING	SCALE	SHEET	REV
4 PLC ± -			-	2 OF 2	C2
ANGLES ± -					
FINISH					
MATERIAL					