

Data sheet

RS Cone Mounts

RS cones work the rubber in shear compression. They are composed of two parallel conical metal parts. They have two washers, one as a buffer and the other for centering.

The RS cone mounts are safe and stable elements. They do not allow the suspended elements to tilt, while being flexible enough to avoid the transmission of noise and vibration through the structure.

They are supplied with stop and centering washers. This renders deflection above the limits of the RS cones impossible, even at extreme loads.

The washers protect the natural rubber (which is highly elastic and highly resistant) from ozone and aging, as well as from metal knocks and dripping oil. The character deflection curves of the RS cone mounts with centering washer are quite linear, increasing progressively as the load increases.

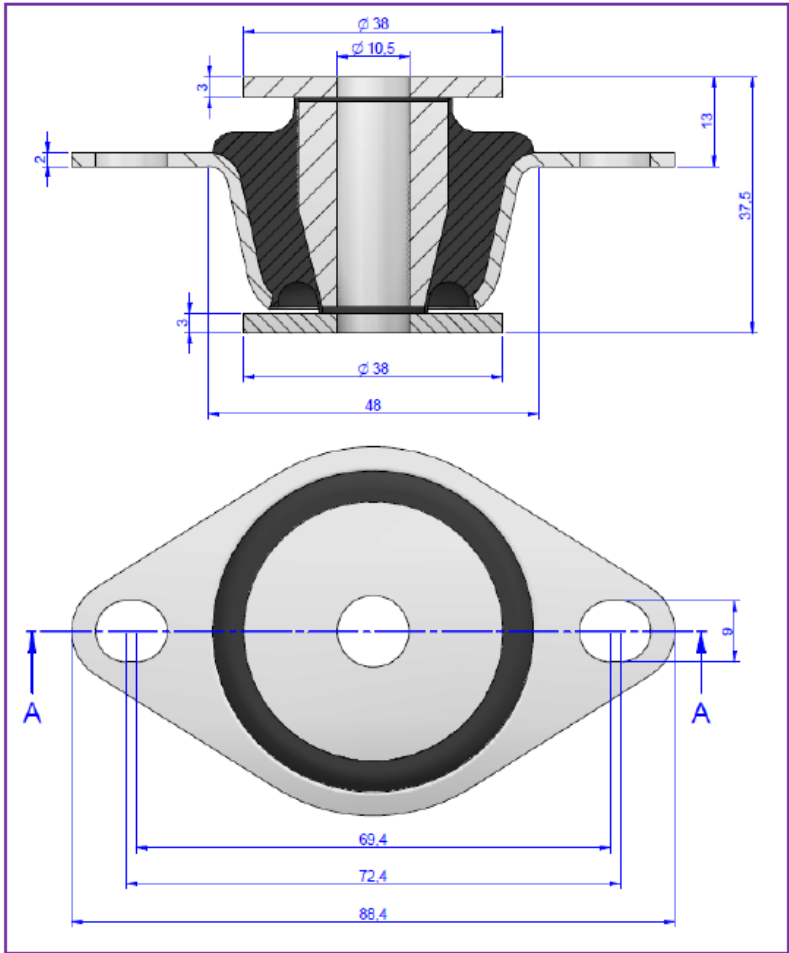
Thanks to this they can safely dampen overloads of up to three times the maximum admissible load.

The cutouts on the rubber section offer different horizontal/vertical stiffness ratios. This feature is especially useful for those applications where a lower stiffness is required in one of the axis.

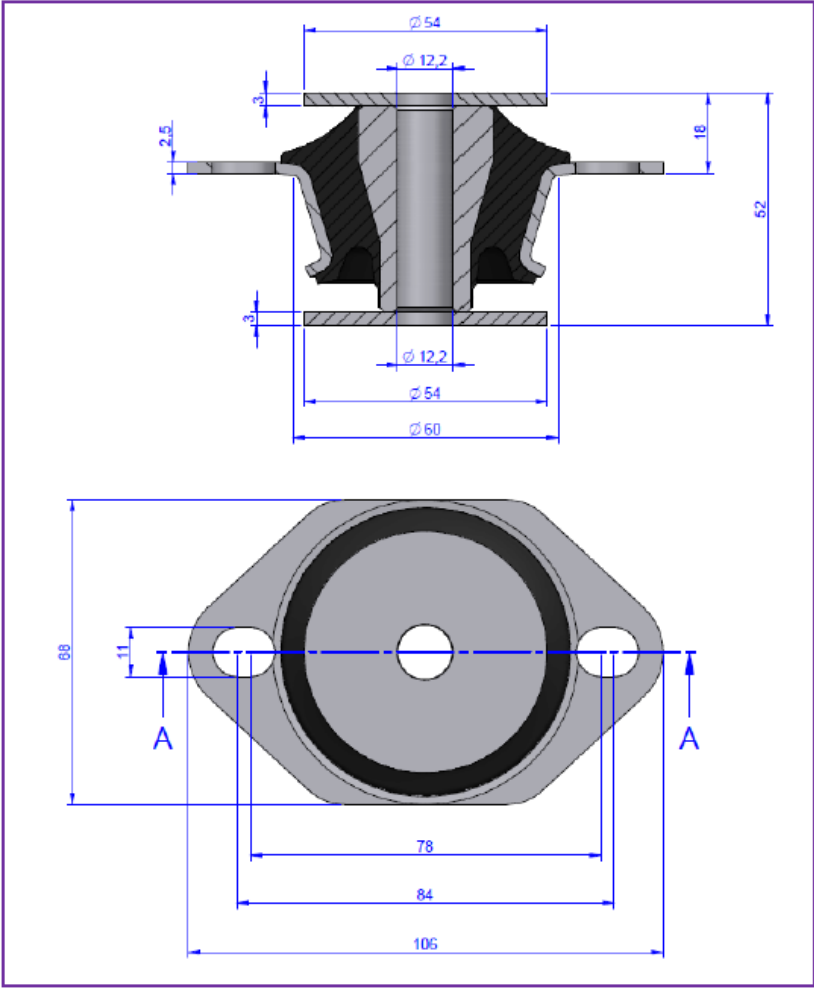


RS Ref	Type	Weight (gr)	Max Load (kg)	Shore
7842775	2	132	50	45
7842779	2	132	90	60
7842788	11	409	100	45
7842781	11	409	180	60
7842785	21	560	180	45
7852794	21	560	300	60
7842797	31	1188	310	50
7842791	31	1188	500	60
7842801	40	1216	420	45
7842804	40	1216	690	60
7842808	70	3450	1000	45
7842817	70	3450	2100	60

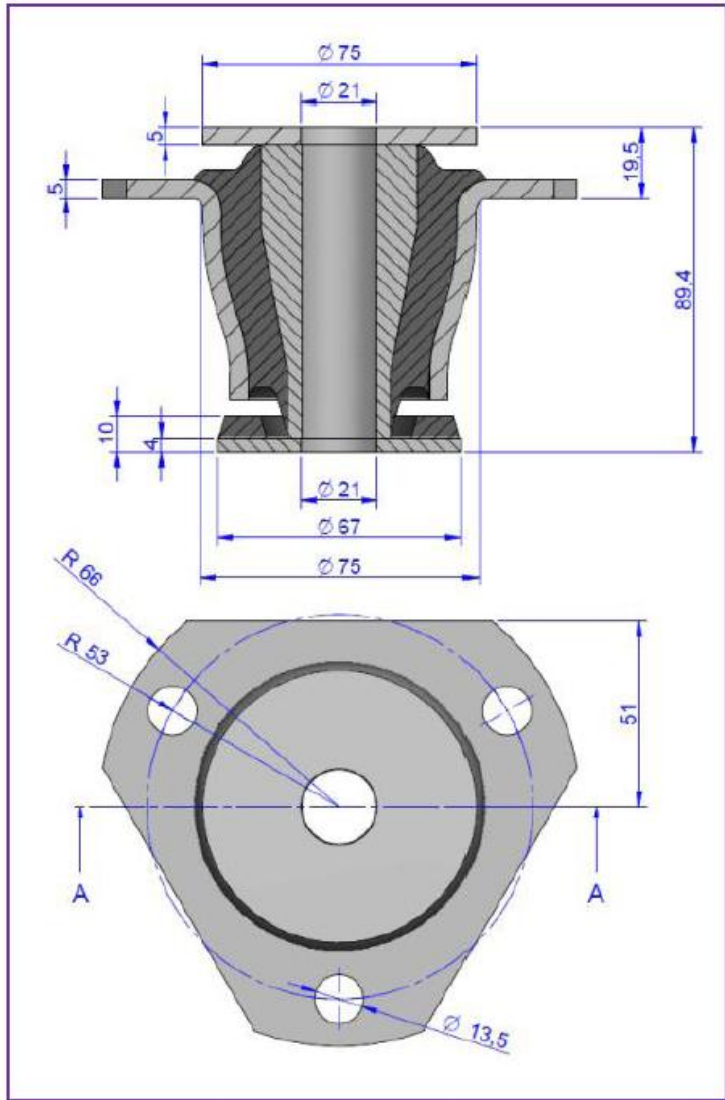
CONE 02



CONE 11



CONE 40



CONE 70

