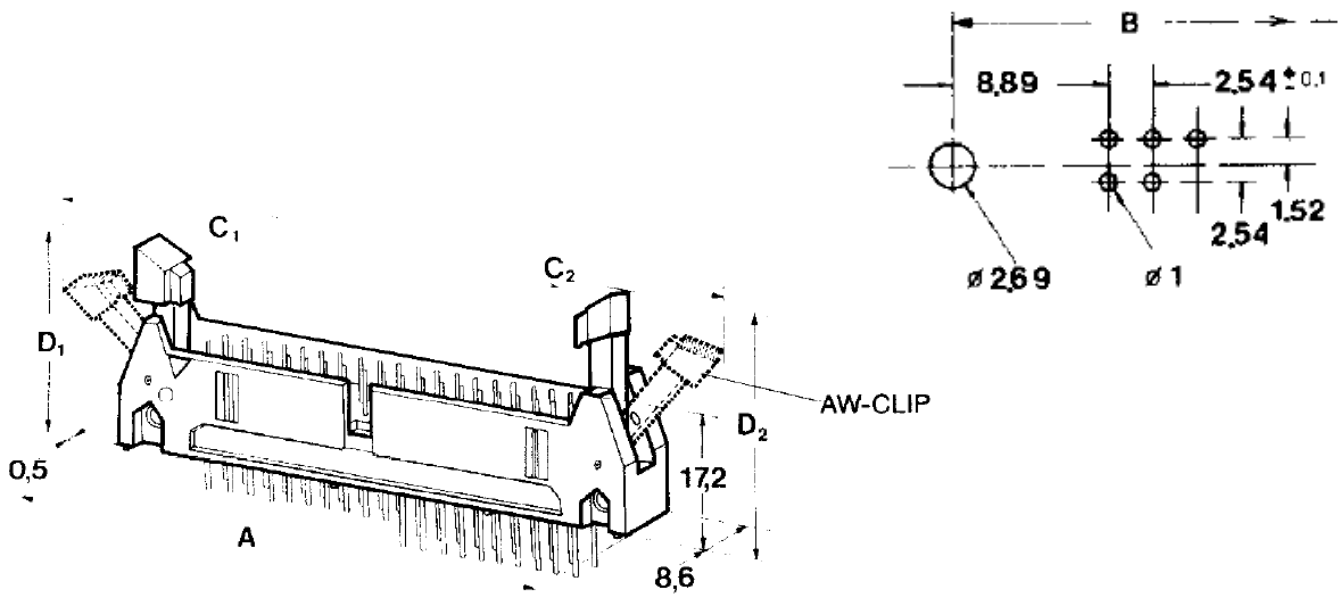


Datasheet

Header with 180° (Straight) Pins for Vertical Mounting

RS Stock number 458-443



| Stock no. | No. of Ways | A | B | C ₁ | C ₂ | D ₁ | D ₂ |
|-----------|-------------|------|------|----------------|----------------|----------------|----------------|
| 458-409 | 14 | 37.3 | 33.0 | 49.5 | 55.0 | 23.1 | 26.5 |
| 458-415 | 16 | 39.9 | 35.6 | 52.1 | 57.6 | 23.1 | 26.5 |
| 458-421 | 20 | 44.8 | 40.6 | 57.0 | 62.5 | 23.1 | 26.5 |
| 458-437 | 26 | 52.4 | 48.3 | 64.6 | 70.1 | 23.1 | 26.5 |
| 458-443 | 34 | 62.6 | 58.4 | 74.8 | 80.3 | 23.1 | 26.5 |
| 458-459 | 40 | 70.2 | 66.0 | 82.4 | 87.9 | 23.1 | 26.5 |
| 458-465 | 50 | 83.0 | 78.7 | 95.2 | 100.7 | 23.1 | 26.5 |



ENGLISH

Specifications:

| | |
|------------------------------|--|
| Insulators: | Polyester GV, VO, UL 94, colour grey, RAL 7035 |
| Operating Temperature Range: | -65 to +150 |
| Current Carrying Capacity: | 1A |
| Tensile Strength: | 1000Veff |
| Contacts: | Phosphor Bronze |