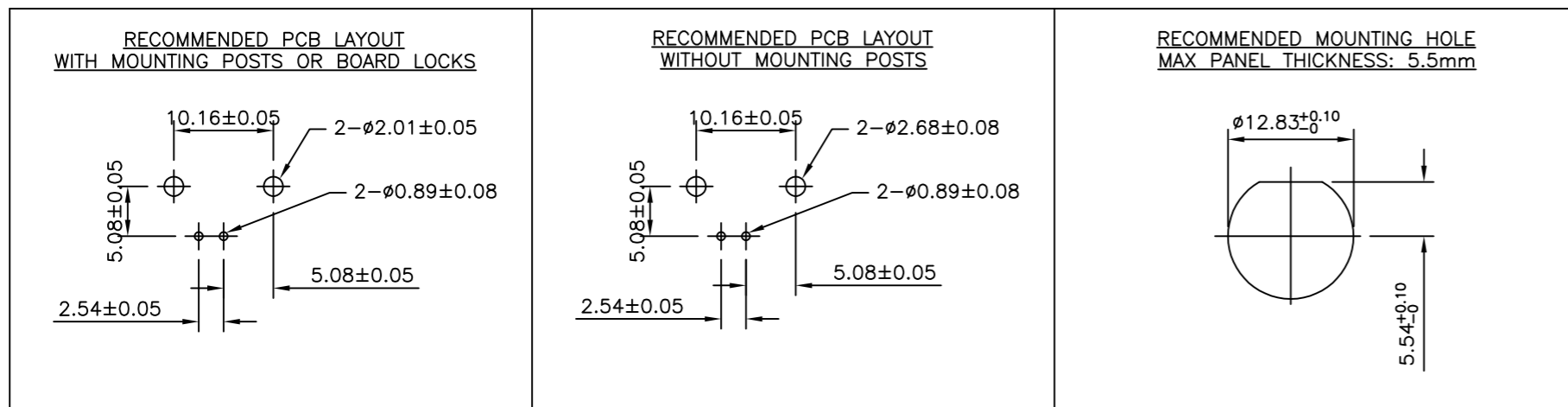
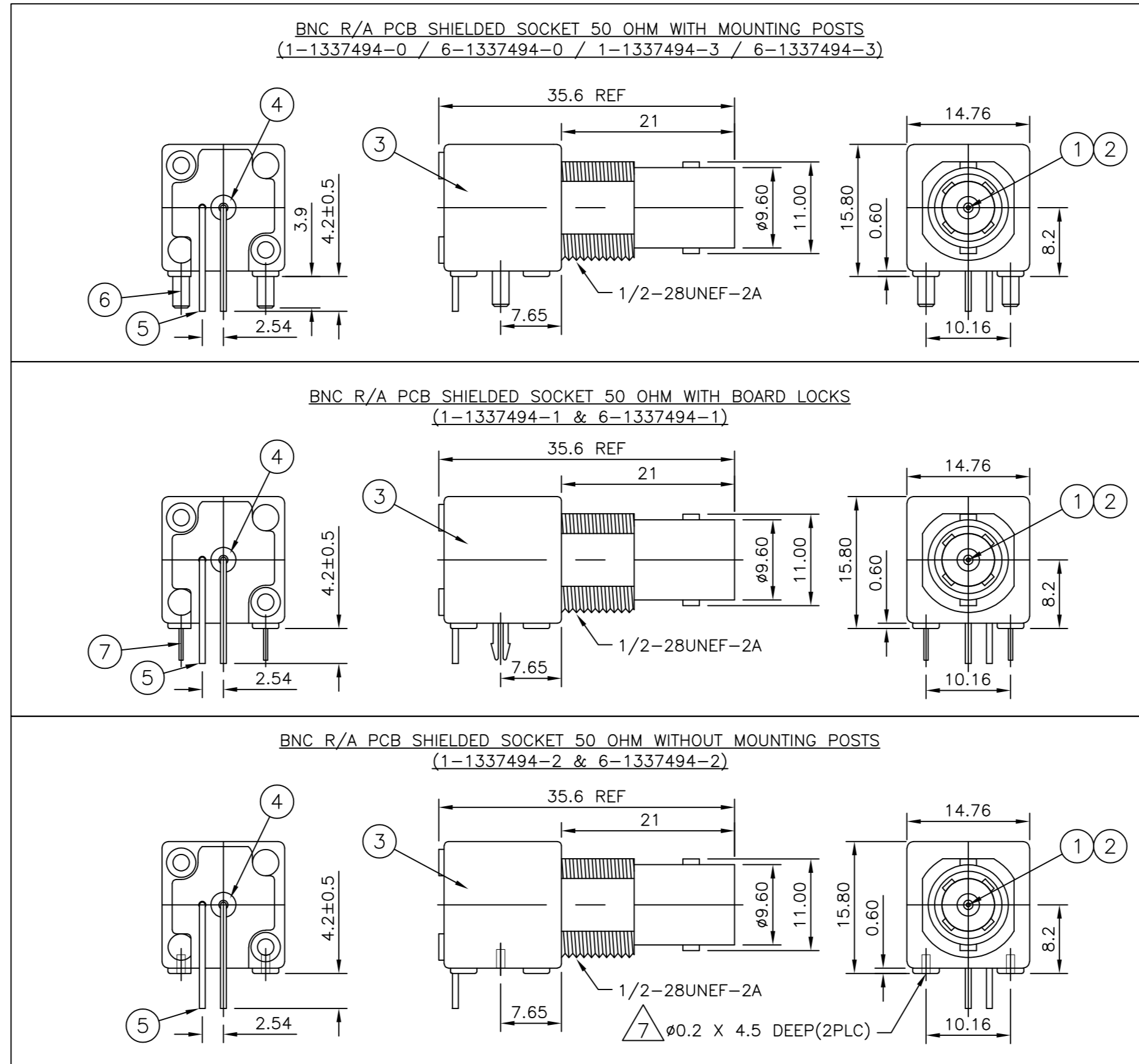


THIS DRAWING IS UNPUBLISHED. RELEASED FOR PUBLICATION AUGUST, 2005.
 © COPYRIGHT 2005 BY TYCO ELECTRONICS CORPORATION. ALL RIGHTS RESERVED.

LOC	DIST	REVISIONS					
E	B	P	LTR	DESCRIPTION	DATE	DWN	APVD
		E		ECO-09-003420	14 Feb 09	RITA	BOB

- NOTES:**
- ① SINGLE PACK IN ACCORDANCE WITH AMP SPEC 107-3275
 - ② 50 TRAY PACK IN ACCORDANCE WITH AMP SPEC 107-3275
 - ③ FLASH Au PLATING OVER Ni PLATING OVER Cu PLATING
 - ④ 0.8µm Au PLATING OVER Ni PLATING OVER Cu PLATING
 - ⑤ Ni PLATING OVER Cu PLATING
 - ⑥ TIN PLATING
 - ⑦ RECOMMENDED SELF-TAPPING SCREW 221108-4
 - 8. RECOMMENDED MOUNT NUT 1-1634816-0
 - 9. RECOMMENDED LOCKWASHER 1-1634817-0
 - 10. FOR TECHNICAL DATA REFER TO YOUR LOCAL TYCO ELECTRONICS SALES OFFICE
 - 11. ALL DIMENSIONS ARE NOMINAL FOR REFERENCE ONLY UNLESS OTHERWISE STATED



-	-	-	-	2	2	-	-	BRASS	⑥	BOARD LOCK	7
2	2	-	-	-	-	2	2	BRASS	⑥	MOUNTING POST	6
1	1	1	1	1	1	1	1	BRASS	⑥	SOLDER TAIL	5
1	1	1	1	1	1	1	1	PE-606	⑤	INSULATOR	4
1	1	1	1	1	1	1	1	ZINC ALLOY	⑤	BODY	3
1	1	-	-	-	-	-	-	BRASS	④	CONTACT	2
-	-	1	1	1	1	1	1	BRASS	④	CONTACT	1
6--3	1--3	6--2	1--2	6--1	1--1	6--0	1--0	MATERIAL	DESCRIPTION	ITEM	
①	①	①	①	①	①	①	①				
QUANTITY PER ASSY											
PARTS LIST											

THIS DRAWING IS A CONTROLLED DOCUMENT.

DWN	RITA ZUO	14 Feb 09
CHK	ANSON MA	14 Feb 09
APVD	BOB ZHAO	14 Feb 09
PRODUCT SPEC	108-112000	
APPLICATION SPEC		

TOLERANCES UNLESS OTHERWISE SPECIFIED:
 0 PLC ± 0.5
 1 PLC ± 0.3
 2 PLC ± 0.2
 3 PLC ± -
 4 PLC ± -
 ANGLES ± -

FINISH: SEE TABLE

WEIGHT: -

CUSTOMER DRAWING

SCALE: NTS

SIZE: A2

CAGE CODE: 00779

DRAWING NO: C=1337494

RESTRICTED TO: -

SHEET 1 OF 1

REV E

1337494