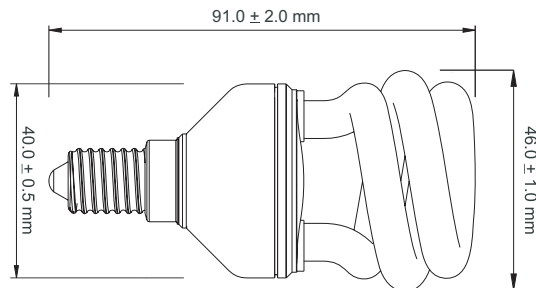
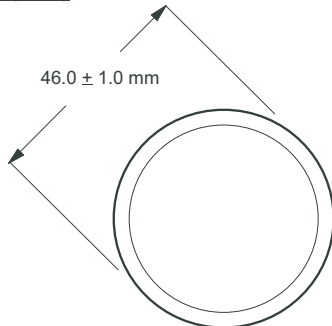


**SYLVANIA****COMPACT  
FLUORESCENT LAMP****MINILYNX  
COMPACT SPIRAL  
T2 8W****DIMENSIONS (mm)**

Cap Type: E14 -EN60061-1 sheet -7004-23

**ELECTRICAL DATA <sup>1</sup>**

		<u>Nominal Value</u>	<u>Min.</u>	<u>Max.</u>
Lamp rated wattage	(W) :	8.0W		8.8W
Lamp operating voltage (rms)	(V) :	230-240V		
Lamp current	(mA) :	70 mA		

**OPERATING CONDITIONS:**

		<u>Nominal Value</u>	<u>Min.</u>	<u>Max.</u>
Cap Rim temperature	(°C) :			80
Lamp Ambient Temperature	(°C) :		-15	50
Starting time at 25°C	(s) :			2
Operating Position	:	Unrestricted		
Weight	(g) :	50		

**LAMP LIFE<sup>2</sup>**

Average life (IEC Test Cycle) (h) : 10000

**PHOTOMETRIC DATA:**

	colour no.	Luminous Flux nominal value (lm)	CRI (Class)	Colour Temp. (K)	Energy Efficiency Class	ILCOS Code
Homelight Deluxe	827	450	1b	2700	A	FBT-8/27/1b-E14-46/91
Coolwhite Deluxe	840	450	1b	4000	A	FBT-8/40/1b-E14-46/91

**Attention:** Lamps comply with EN 60 968 (Safety Requirements) and EN 60 969 (Performance Requirements) and CE Regulations.<sup>1</sup>Measured according to EN 60 969, at 50 Hz, lamp aged 100h<sup>2</sup>Life test according to EN 60 969

Issued by : Havells Sylvania UK Ltd  
 Date : 01.10.2010  
 Revision Date :

**DATA SHEET**

Specification No. : N1018  
 Supersedes :  
 Page : 1 of 1

HAVELLS SYLVANIA reserves the right to change data and specification without notice.  
 Data for guidance only.