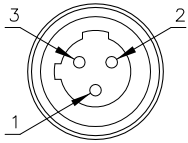
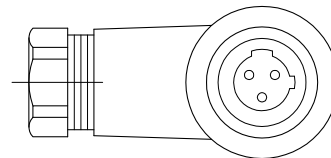
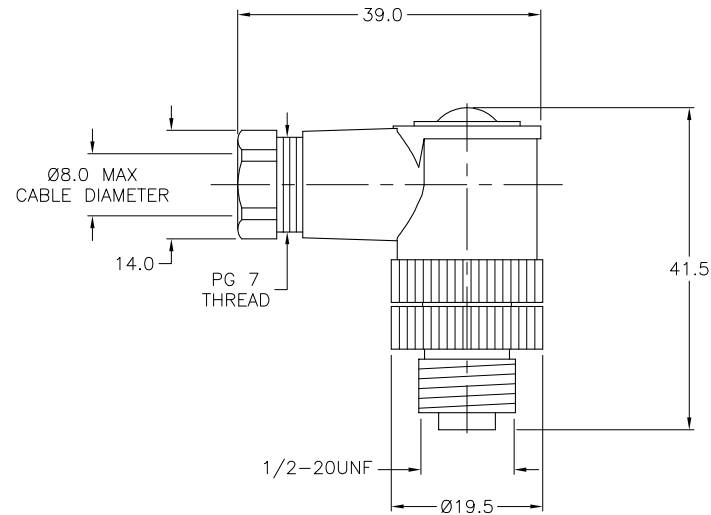


MALE END VIEW



SPECIFICATIONS

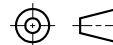
HOUSING MATERIAL/PLATING	PBT/BLACK
CONTACT MATERIAL/PLATING	GOLD-PLATED BRASS
COUPLING NUT MATERIAL/PLATING	NICKEL-PLATED BRASS
RATED CURRENT [A]	4.0 A
RATED VOLTAGE [V]	250 V
MAXIMUM WIRE SIZE	18 AWG
CABLE GRIP RANGE	4-6mm
TEMPERATURE RATING	-40°C to +85°C (-40°F to +185°F)
PROTECTION CLASS	MEETS NEMA 1,3,4,6P AND IEC IP67



RELATED DOCUMENTS

- 1.
- 2.
- 3.
- 4.

3RD ANGLE PROJECTION



THIS DRAWING IS PROPERTY OF TURCK INC. USE OF THIS DOCUMENT WITHOUT WRITTEN PERMISSION IS PROHIBITED.

TURCK INC
High Technology Sensors and Automation Controls

3000 CAMPUS DRIVE
MINNEAPOLIS, MN 55441
1-800-544-7769
(763) 553-7300
(763) 553-0708 fax
turck.com

MATERIAL

SEE SPECIFICATIONS

FINISH

SEE SPECIFICATIONS

ALL DIMENSIONS DISPLAYED ON THIS DRAWING ARE FOR REFERENCE ONLY

CONTACT TURCK FOR MORE INFORMATION

DRFT RJP

DATE 02/21/96

DSGN

SCALE 1=1.0

UNIT OF MEASUREMENT

MILLIMETERS

DO NOT SCALE THIS DRAWING

DESCRIPTION

MFS 3231-0

IDENTIFICATION NO.

U0491

REV

A

FILE: U0491

SHEET 1 OF 1

A	DRAWING RELEASE	JB	01/10/01	
REV	DESCRIPTION	BY	DATE	ECO NO.