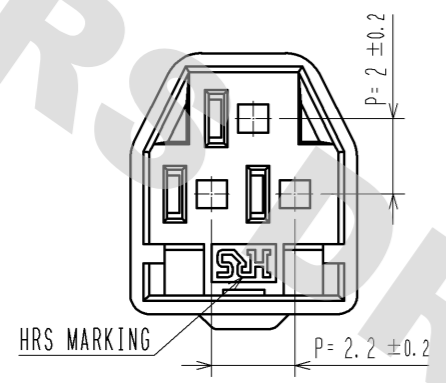
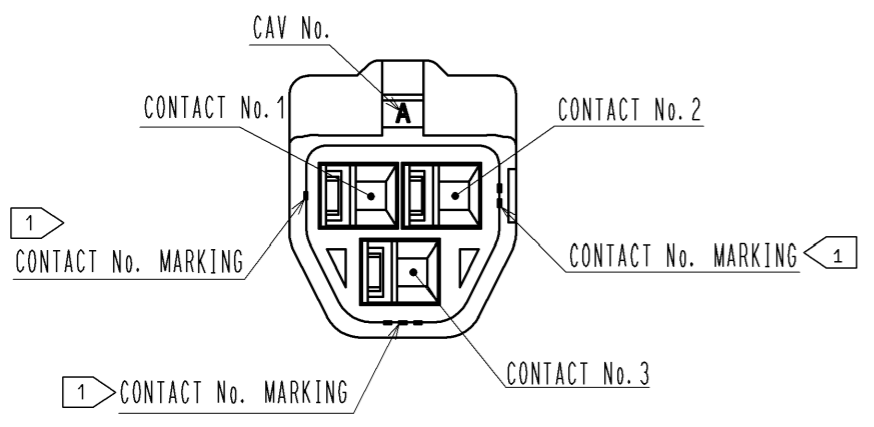
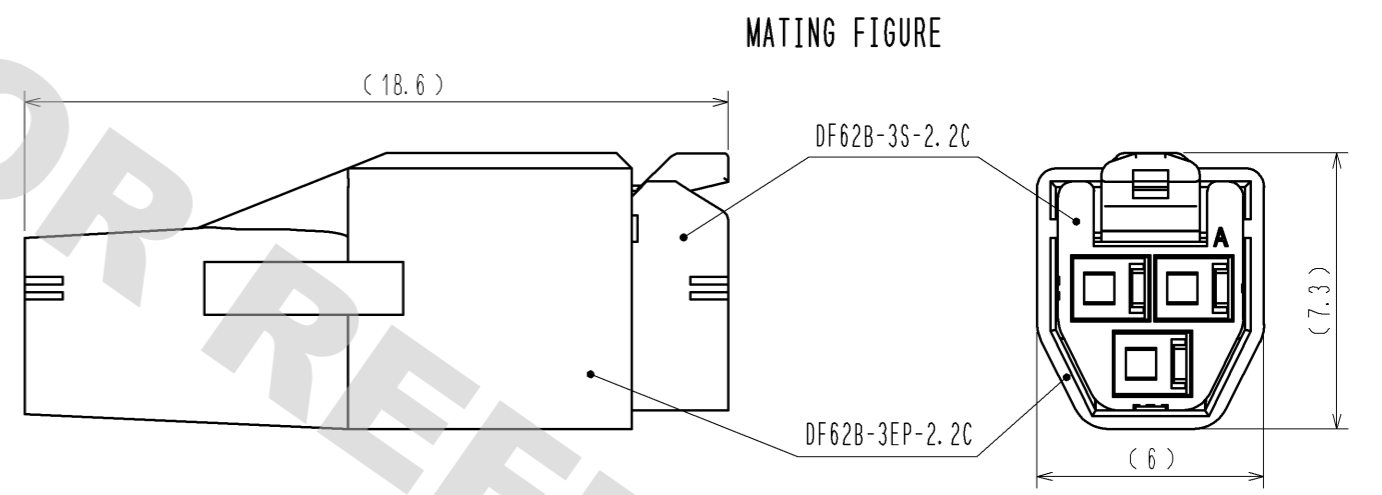
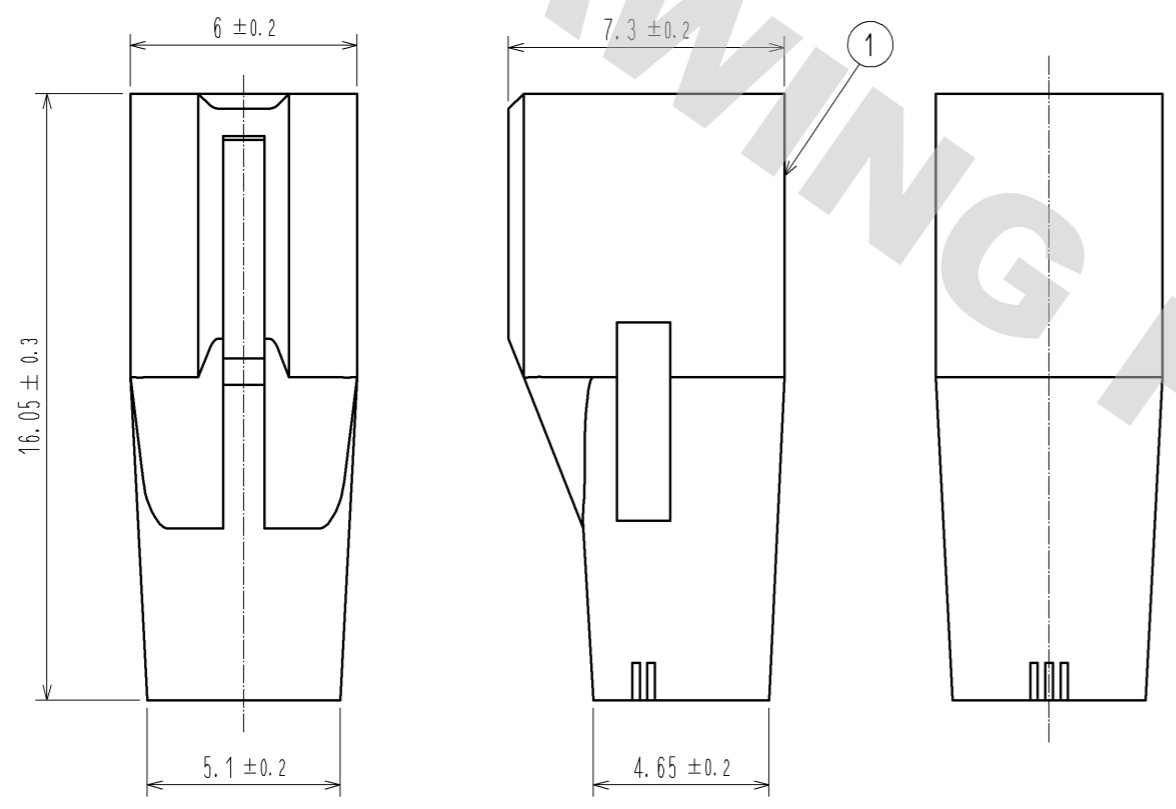
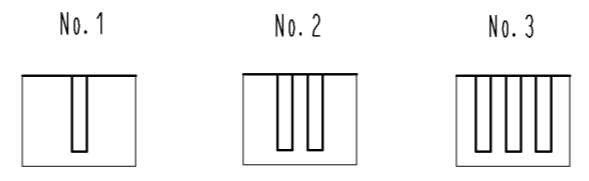


DRAWING FOR REFERENCE: This is subject to change without notice  
12/05/2013



1 FIGURE-1 CONTACT No. MARKING (10:1)



NOTE. 1 MARKINGS AT THE INDICATED POSITIONS IS CONTACT NO. MARKING. AND SHAPES ARE SHOWN IN FIGURE-1.  
2. PER PACK : 100 PIECES.  
3. THE DIMENSIONS IN PARENTHESIS ARE FOR REFERENCE.

NO.		MATERIAL		FINISH . REMARKS		1	PBT	UL94V-0(CBLACK)		
UNITS mm		SCALE 5 : 1		COUNT		DESCRIPTION OF REVISIONS		DESIGNED	CHECKED	DATE
<b>HRS</b> HIROSE ELECTRIC CO., LTD.		APPROVED : KI. AKIYAMA		13.06.06		DRAWING NO.		EDC3-351964-00		
		CHECKED : MN. KENJO		13.06.06		PART NO.		DF62B-3EP-2.2C		
		DESIGNED : TH. YOSHIZAWA		13.06.06		CODE NO.		CL544-0559-1-00		
		DRAWN : TH. YOSHIZAWA		13.06.06						
										1/1