



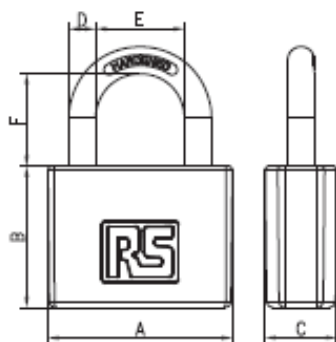
## Datasheet

### 7815994 - Yellow Plastic Coated Brass Padlock

ENGLISH



#### Dimensions:



Item	Lock Body Dimension(mm)		
	A	B	C
7816010	43	33	17

Shackle Dimension(mm)		
D	E	F
6	21	22

#### Product Description:

- Solid brass lock body and lock cylinder with great corrosion resistance
- High precision keys produced by professional equipment, little interchange
- Pin tumbler structure for great pick resistance test
- Different sizes of lock body and shackle for different choices
- The coats come in different colours helping to differentiate and to protect the padlocks