



# Datasheet

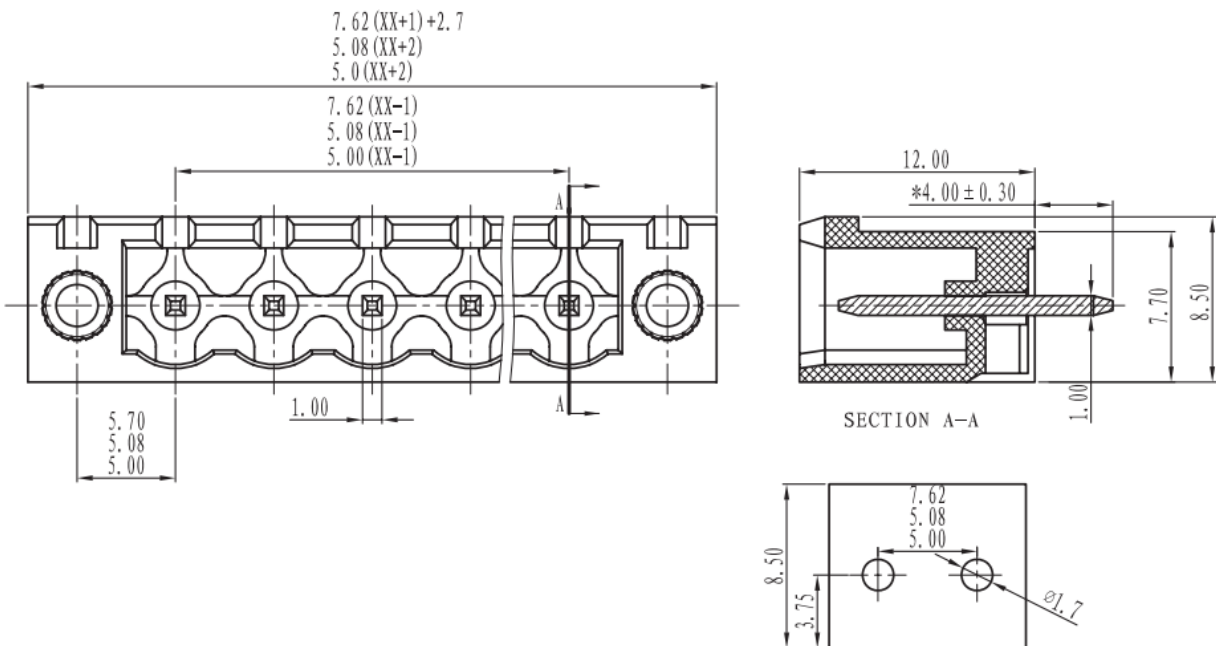
ENGLISH

## New 5.0mm Header Horizontal with Flanges 15A

RS Stock 874-4997



### Dimensions: (mm)





## Specifications

### Electrical

Standard: UL IEC  
 Rated voltage: 300V 320V  
 Rated current: 15A 20A  
 Contact resistance: 20mΩ  
 Withstanding voltage: AC2000V/1Min  
 Insulation resistance: 500MΩ/DC500V

### Mechanical

Temp.Range: -40° C~+105° C  
 MAX Soldering: +250° C, for 5 Sec

### Dimensions

Pitch: 5.00mm, 5.08mm, 7.62mm  
 Poles: 2P-24P

### Material

Housing: PA66, UL94V-0  
 Pin header: Brass, Tin plated  
 Nut: M2.5 Brass

## Tolerances Except As Noted

	linear dimension					fillet	chamfer		∠ short angle sid	≡	—	□	//	⊥			
variable range	to 6	over 6 to 30	over 30 to 120	over 120 to 480	over 480 to	all	to 6	over 6 to	to 10	over 10 to 50	over 50 to 120	over 120 to	all	to 5	over 5 to 30	over 30 to 120	over 120 to
tolerance	±0.1	±0.2	±0.3	±0.5	±0.9	±0.2	±0.5	±1	1'	30'	20'	10'	0.5	0.025	0.06	0.12	0.4