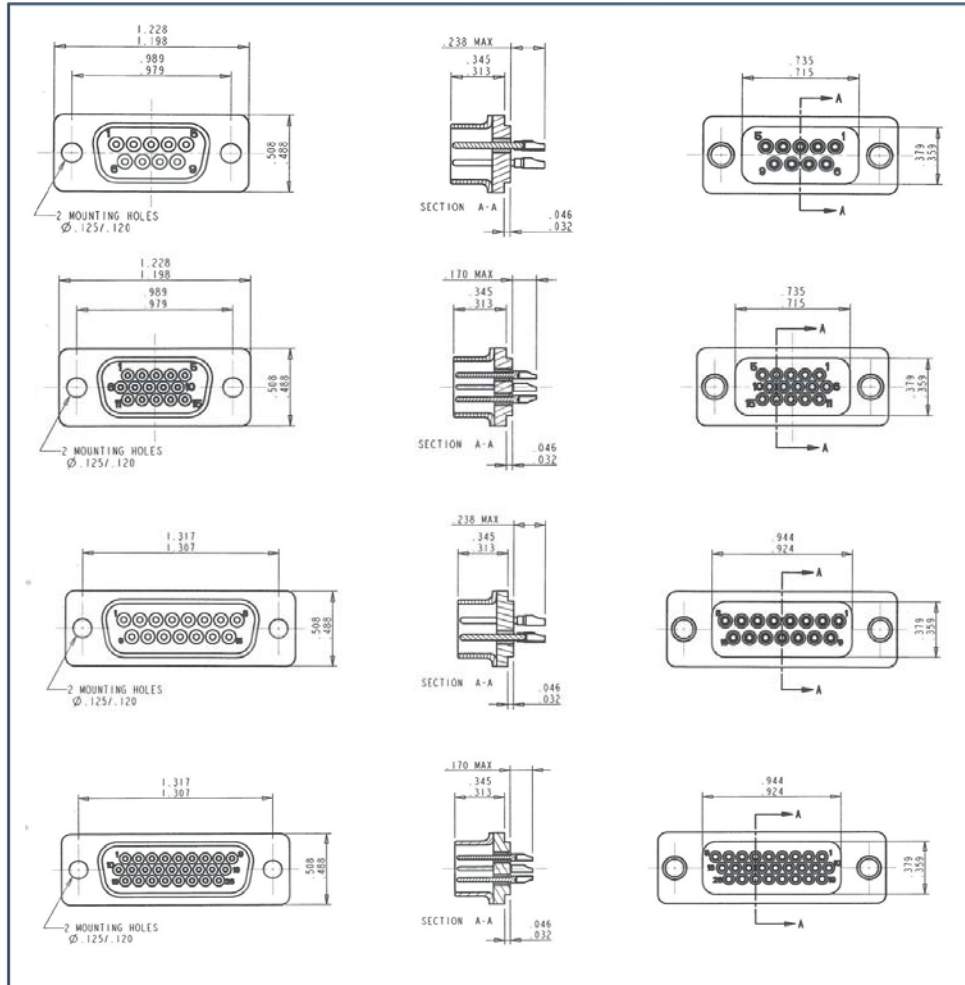




17 D Series Hermetic Connectors

D Sub miniature – Mil-C-24308



Description:

Hermetically sealed subminiature rectangular connectors, designed to meet the mechanical and environmental requirements of MIL-C-24308. These connectors are available as receptacles with fixed pin contacts in a range of five shell sizes which complement the full range of environmental connectors available from Amphenol in this series.

Performances:

- ✓ Connectors rectangular, miniature
- ✓ Polarized shell, rack and panel, receptacle, socket contacts
- ✓ General purpose
- ✓ Hermeticity better than $E-8 \text{ cm}^3 \cdot \text{s}^{-1}$ at 1 Atm. ΔP
- ✓ RoHS compliant
- ✓ Insulation resistance $5G\Omega$ at 500 - 50 Vdc
- ✓ Operating temperature range: $-50 + 150$ degrees C