

Distance thermometer for infrared monitoring measurements

testo 831

Thanks to its 30:1 optics, the measurement spot diameter is only 3.6 cm at a distance of 1 m. This means that even small objects such as yoghurt pots can be easily measured at a distance. Measurement errors are avoided due to a 2-point laser which indicates the exact measurement spot. At two measurements per second, the testo 831 is so fast that measurements on palettes or refrigerated shelves can be carried out in seconds.

- Infrared thermometer with 30:1 optics
- Broad measurement range of -30 to +210 °C
- Backlit display
- Alarm limit values can be set and are optically and audibly indicated
- Including belt holder and factory calibration certificate
- Also available as a set with the core thermometer testo 106



2-point laser marking (actual measurement spot)



Backlit display



Fast and easy checks on refrigerated displays

Set

In certain applications, it is necessary to carry out an additional core temperature measurement, or an additional core thermometer is required for measuring the temperature of food before serving. For this purpose, Testo offers an economical set consisting of testo 831 and the proven testo 106 core thermometer.



Set consisting of : testo 831 and the core thermometer testo 106

testo 831

testo 831, infrared thermometer including belt holder, battery, instruction manual and factory calibration certificate with the measurement points -20 and +80 °C

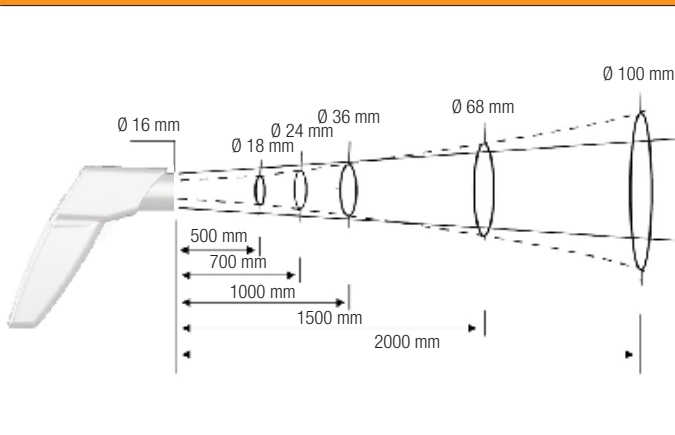
Part no. 0560 8310

Set with testo 831 and testo 106

Set testo 831 and testo 106 - Infrared thermometer including belt holder, battery, instruction manual and factory calibration certificate with the measurement points -20 and +80 °C, and penetration thermometer testo 106 including TopSafe, belt holder, battery and instruction manual

Part no. 0563 8310

testo 831: 2-point laser for marking measurement spot



Accessories Ordering data	Part no.
9V rech. battery for instrument, instead of battery	0515 0025
Recharger for 9V rechargeable battery, for external recharging of 0515 0025 battery	0554 0025
ISO calibration certificate/temperature, Infrared thermometers, calibration points -18°C, 0°C, +60°C	0520 0401
ISO calibration certificate/Temperature, Infrared thermometers, calibration points 0°C, +60°C	0520 0452

Technical data	
Meas. range	-30 to +210 °C
Spectral range	8 to 14 µm
Accuracy	±1,5 °C or ±1,5% of mv (-20 to +210 °C) ±1 digit ± 2 °C or ±2% of mv (remaining range)
Resolution	0,5 °C
Meas. spot marking	2-point laser
Distance to measurement spot	30:1
Emissivity	Adjustable 0.2 to 1.0
Oper. temp.	-20 to +50 °C
Storage temp.	-40 to +70 °C
Display	Illuminated LCD
Protection class	IP30
Dimensions	190 x 75 x 38 mm
Weight	200 g

Technical data testo 106 see page 10

